

NOTES:

1. INSTALLATION SHALL COMPLY WITH ALL APPLICABLE NATIONAL, STATE AND LOCAL CODES.
2. PLEASE REFER TO PRODUCT MANUALS FOR ADDITIONAL DETAILS.
3. UNLESS OTHERWISE SPECIFIED, ALL DIMENSIONS ARE IN INCHES [MILLIMETERS].
4. CABLE ENTRY IS FROM REAR SIDE OF THE UNIT THROUGH CONDUIT.
5. MAXIMUM ALLOWABLE CABLE LENGTH BETWEEN SBP & UPS = 98 FEET [30mts].
6. FRONT AND REAR SERVICE ACCESS IS REQUIRED.
7. PLEASE REFER SHEET-4 FOR NET WEIGHT OF UNIT, CONFIGURATION AND RUNTIME DETAILS.
8. OPTIONAL BAYING KIT DETAILS:
 G35TOPT04 – UPS TO XR
 G35TOPT06 – XR TO XR
 G35TOPT11 – UPS TO SBP
9. SUGGESTED LAYOUT IS SHOWN. ALTERNATE LAYOUTS ARE POSSIBLE.

THIS DRAWING AND SPECIFICATIONS HEREIN ARE THE PROPERTY OF SCHNEIDER ELECTRIC AND SHALL NOT BE COPIED, REPRODUCED OR USED IN WHOLE OR IN PART, AS THE BASIS FOR THE MANUFACTURE OR SALE OF ITEMS WITHOUT WRITTEN PERMISSION FROM SCHNEIDER ELECTRIC. THIS DRAWING IS BASED UPON LATEST AVAILABLE INFORMATION AND IS SUBJECT TO CHANGE WITHOUT NOTICE.



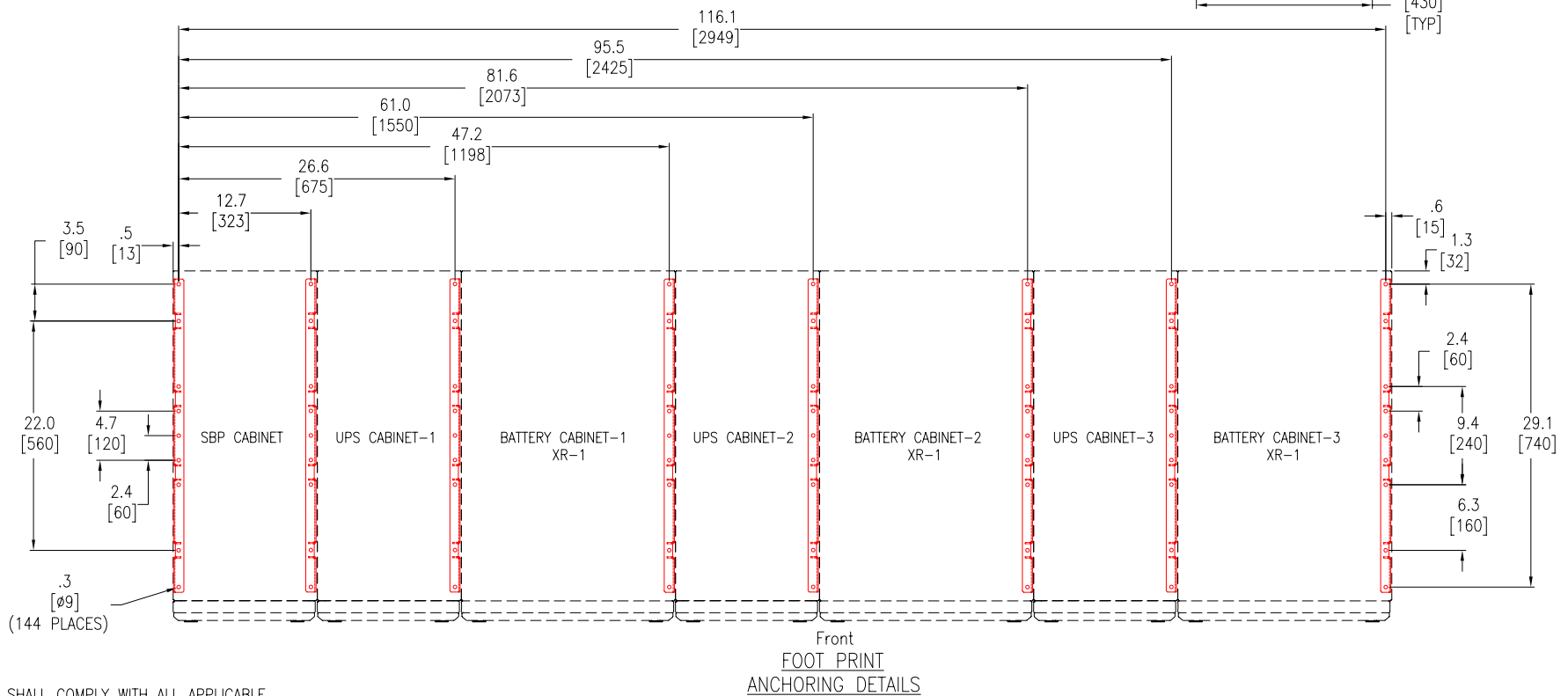
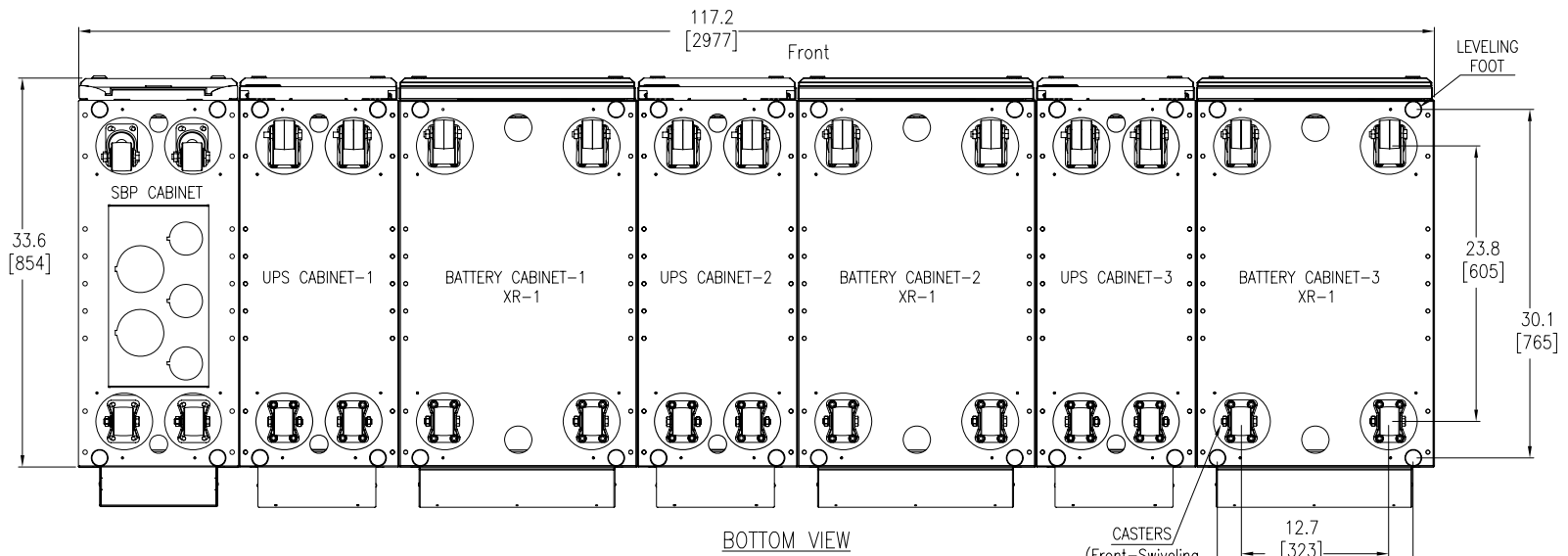
TITLE:
 MGE GALAXY 3500
 NARROW TOWER, 10-15kVA, 208V
 3 MODULES WITH 3 XR-BATTERY CABINETS
 GENERAL ARRANGEMENT

PROJECT: SUBMITTAL DRAWINGS | SHEET 1 OF 4

DWG NO: G35T10K15FN3B3SBPAR

DRAWN BY: JAYAPRAKASH 04-NOV-09
 ENGINEER: F.CENDEJAS 16-NOV-09
 APPROVED BY: B.SHERIDAN 16-NOV-09

REV: 0
 THIRD ANGLE PROJECTION



NOTES:

1. INSTALLATION SHALL COMPLY WITH ALL APPLICABLE NATIONAL, STATE AND LOCAL CODES.
2. PLEASE REFER TO PRODUCT MANUALS FOR ADDITIONAL DETAILS.
3. UNLESS OTHERWISE SPECIFIED, ALL DIMENSIONS ARE IN INCHES [MILLIMETERS].

THIS DRAWING AND SPECIFICATIONS HEREIN ARE THE PROPERTY OF SCHNEIDER ELECTRIC AND SHALL NOT BE COPIED, REPRODUCED OR USED IN WHOLE OR IN PART, AS THE BASIS FOR THE MANUFACTURE OR SALE OF ITEMS WITHOUT WRITTEN PERMISSION FROM SCHNEIDER ELECTRIC. THIS DRAWING IS BASED UPON LATEST AVAILABLE INFORMATION AND IS SUBJECT TO CHANGE WITHOUT NOTICE.



TITLE:
MGE GALAXY 3500
NARROW TOWER, 10-15kVA, 208V
3 MODULES WITH 3 XR-BATTERY CABINETS
BOTTOM VIEW & ANCHORING DETAILS

PROJECT: SUBMITTAL DRAWINGS SHEET 2 OF 4

DWG NO: C35T10K15FN3B3SBPAR

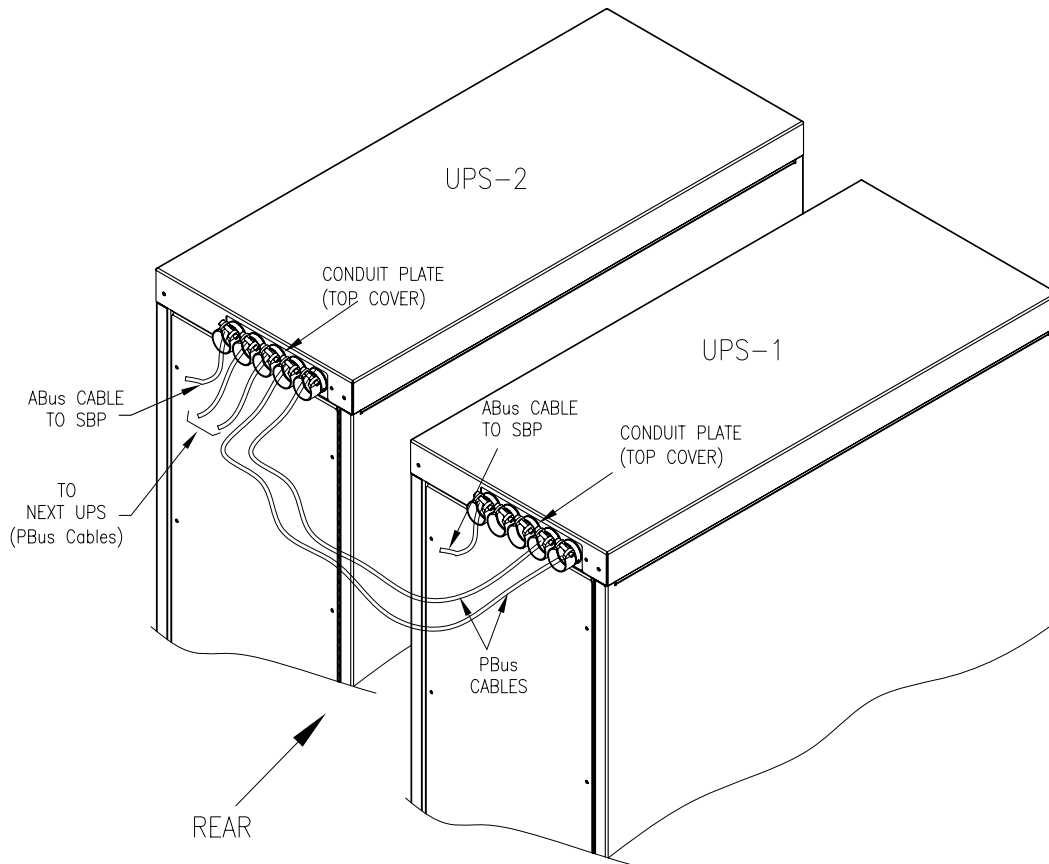
DRAWN BY: JAYAPRAKASH 04-NOV-09

ENGINEER: F.CENDEJAS 16-NOV-09

APPROVED BY: B.SHERIDAN 16-NOV-09

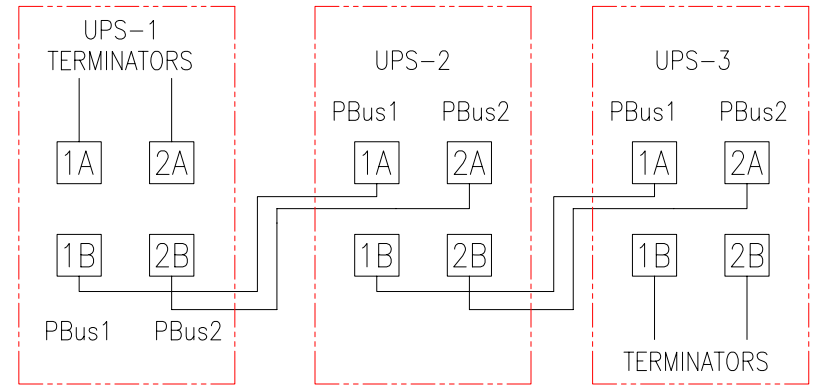
REV: 0

THIRD ANGLE PROJECTION



PARALLEL CONFIGURATION WIRING DETAILS
(ISOMETRIC VIEW)

PBus CABLE LAYOUT



NOTES:

1. INSTALLATION SHALL COMPLY WITH ALL APPLICABLE NATIONAL, STATE AND LOCAL CODES.
2. PLEASE REFER TO PRODUCT MANUALS FOR ADDITIONAL DETAILS.

THIS DRAWING AND SPECIFICATIONS HEREIN ARE THE PROPERTY OF SCHNEIDER ELECTRIC AND SHALL NOT BE COPIED, REPRODUCED OR USED IN WHOLE OR IN PART, AS THE BASIS FOR THE MANUFACTURE OR SALE OF ITEMS WITHOUT WRITTEN PERMISSION FROM SCHNEIDER ELECTRIC. THIS DRAWING IS BASED UPON LATEST AVAILABLE INFORMATION AND IS SUBJECT TO CHANGE WITHOUT NOTICE.



TITLE:	MGE GALAXY 3500 NARROW TOWER, 10-15kVA, 208V 3 MODULES WITH 3 XR-BATTERY CABINETS WIRING DETAILS	DWG NO:	C35T10K15FN3B3SBPAR	REV.	0
PROJECT: SUBMITTAL DRAWINGS	SHEET 3 OF 4	DRAWN BY:	JAYAPRAKASH	04-NOV-09	THIRD ANGLE
		ENGINEER:	F.CENDEJAS	16-NOV-09	PROJECTION
		APPROVED BY:	B.SHERIDAN	16-NOV-09	

Weight and Runtime details for 3 module UPS (10-15kVA) with XR Battery Cabinets & SBP

Battery position	No. of bat shelves	G35T10KF1B2S		Runtime in Min	G35T10KF2B2S		Runtime in Min	G35T15KF2B2S		Runtime in Min
		Net Weight of Solution			Net Weight of Solution			Net Weight of Solution		
		in lbs	in kg		in lbs	in kg		in lbs	in kg	
UPS	1	2333	1059	6	n.a	n.a	n.a	n.a	n.a	n.a
UPS	2	2941	1335	18	2941	1335	18	2941	1335	10
XR1	3	4870	2211	31	4870	2211	31	4870	2211	18
XR1	4	5504	2499	46	5504	2499	46	5504	2499	27
XR1	5	6139	2787	61	6139	2787	61	6139	2787	37
XR1	6	6773	3075	77	6773	3075	77	6773	3075	47
XR1	7	7407	3363	93	7407	3363	93	7407	3363	57
XR1	8	8042	3651	110	8042	3651	110	8042	3651	67
XR2	9	9971	4527	128	9971	4527	128	9971	4527	78
XR2	10	10606	4815	145	10606	4815	145	10606	4815	89
XR2	11	11240	5103	163	11240	5103	163	11240	5103	100
XR2	12	11874	5391	182	11874	5391	182	11874	5391	112
XR2	13	12509	5679	200	12509	5679	200	12509	5679	123
XR2	14	13143	5967	219	13143	5967	219	13143	5967	135
XR3	15	15073	6843	239	15073	6843	239	15073	6843	147
XR3	16	15707	7131	258	15707	7131	258	15707	7131	159
XR3	17	16341	7419	278	16341	7419	278	16341	7419	171
XR3	18	16976	7707	298	16976	7707	298	16976	7707	184
XR3	19	17610	7995	318	17610	7995	318	17610	7995	196
XR3	20	18244	8283	339	18244	8283	339	18244	8283	209
XR4	21	20174	9159	359	20174	9159	359	20174	9159	222
XR4	22	20808	9447	380	20808	9447	380	20808	9447	235
XR4	23	21443	9735	401	21443	9735	401	21443	9735	248
XR4	24	22077	10023	422	22077	10023	422	22077	10023	261
XR4	25	22711	10311	444	22711	10311	444	22711	10311	274
XR4	26	23346	10599	465	23346	10599	465	23346	10599	288

△3

NOTES:

1. INSTALLATION SHALL COMPLY WITH ALL APPLICABLE NATIONAL, STATE AND LOCAL CODES.
2. PLEASE REFER TO PRODUCT MANUALS FOR ADDITIONAL DETAILS.
- △3. CONFIGURATION REPRESENTED IN THIS DRAWING.

THIS DRAWING AND SPECIFICATIONS HEREIN ARE THE PROPERTY OF SCHNEIDER ELECTRIC AND SHALL NOT BE COPIED, REPRODUCED OR USED IN WHOLE OR IN PART, AS THE BASIS FOR THE MANUFACTURE OR SALE OF ITEMS WITHOUT WRITTEN PERMISSION FROM SCHNEIDER ELECTRIC. THIS DRAWING IS BASED UPON LATEST AVAILABLE INFORMATION AND IS SUBJECT TO CHANGE WITHOUT NOTICE.



TITLE:	MGE GALAXY 3500 NARROW TOWER, 10-15kVA, 208V 3 MODULES WITH 3 XR-BATTERY CABINETS WEIGHT & RUNTIME DETAILS	DWG NO:	G35T10K15FN3B3SBPAR	REV.	0
PROJECT: SUBMITTAL DRAWINGS	SHEET 4 OF 4	DRAWN BY:	JAYAPRAKASH	04-NOV-09	THIRD ANGLE
		ENGINEER:	F.CENDEJAS	16-NOV-09	
		APPROVED BY:	B.SHERIDAN	16-NOV-09	PROJECTION