

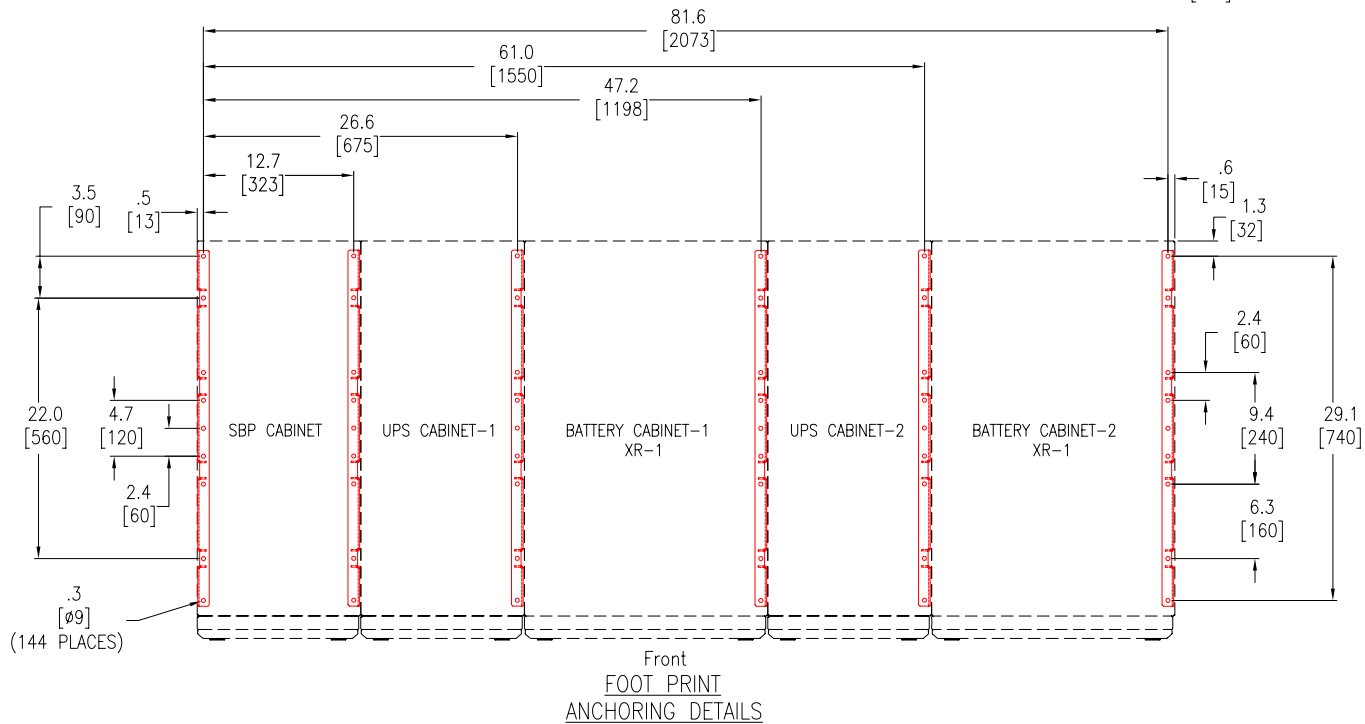
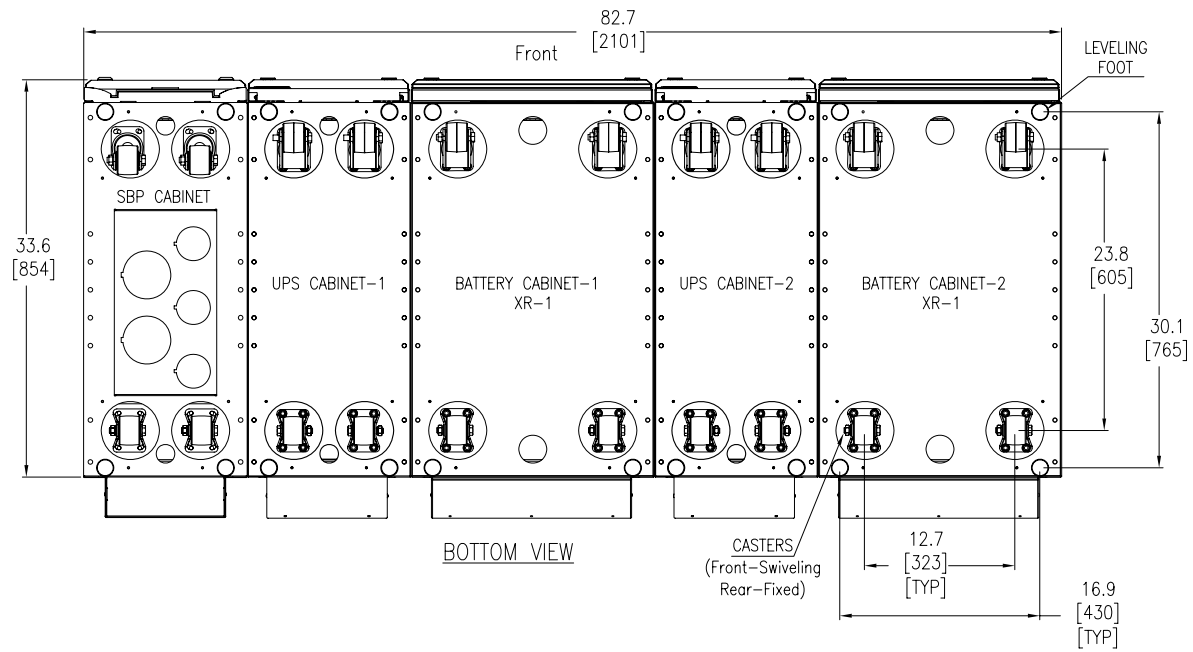
NOTES:

1. INSTALLATION SHALL COMPLY WITH ALL APPLICABLE NATIONAL, STATE AND LOCAL CODES.
2. PLEASE REFER TO PRODUCT MANUALS FOR ADDITIONAL DETAILS.
3. UNLESS OTHERWISE SPECIFIED, ALL DIMENSIONS ARE IN INCHES [MILLIMETERS].
4. CABLE ENTRY IS FROM REAR SIDE OF THE UNIT THROUGH CONDUIT.
5. MAXIMUM ALLOWABLE CABLE LENGTH BETWEEN SBP & UPS = 98 FEET [30mts].
6. FRONT AND REAR SERVICE ACCESS IS REQUIRED.
7. PLEASE REFER SHEET-4 FOR NET WEIGHT OF UNIT, CONFIGURATION AND RUNTIME DETAILS.
8. OPTIONAL BAYING KIT DETAILS:
 G35TOPT004 - UPS TO XR
 G35TOPT006 - XR TO XR
 G35TOPT011 - UPS TO SBP
9. SUGGESTED LAYOUT IS SHOWN. ALTERNATE LAYOUTS ARE POSSIBLE.

THIS DRAWING AND SPECIFICATIONS HEREIN ARE THE PROPERTY OF SCHNEIDER ELECTRIC AND SHALL NOT BE COPIED, REPRODUCED OR USED IN WHOLE OR IN PART, AS THE BASIS FOR THE MANUFACTURE OR SALE OF ITEMS WITHOUT WRITTEN PERMISSION FROM SCHNEIDER ELECTRIC. THIS DRAWING IS BASED UPON LATEST AVAILABLE INFORMATION AND IS SUBJECT TO CHANGE WITHOUT NOTICE.



TITLE: MGE GALAXY 3500 NARROW TOWER, 10-15kVA, 208V 2 MODULES WITH 2 XR-BATTERY CABINETS GENERAL ARRANGEMENT		DWG NO: G35T10K15FN2B2SBPAR	REV. 0
PROJECT: SUBMITTAL DRAWINGS	SHEET 1 OF 4	DRAWN BY: JAYAPRAKASH	04-NOV-09
		ENGINEER: F.CENDEJAS	16-NOV-09
		APPROVED BY: B.SHERIDAN	16-NOV-09
			THIRD ANGLE PROJECTION



NOTES:

1. INSTALLATION SHALL COMPLY WITH ALL APPLICABLE NATIONAL, STATE AND LOCAL CODES.
2. PLEASE REFER TO PRODUCT MANUALS FOR ADDITIONAL DETAILS.
3. UNLESS OTHERWISE SPECIFIED, ALL DIMENSIONS ARE IN INCHES [MILLIMETERS].

THIS DRAWING AND SPECIFICATIONS HEREIN ARE THE PROPERTY OF SCHNEIDER ELECTRIC AND SHALL NOT BE COPIED, REPRODUCED OR USED IN WHOLE OR IN PART, AS THE BASIS FOR THE MANUFACTURE OR SALE OF ITEMS WITHOUT WRITTEN PERMISSION FROM SCHNEIDER ELECTRIC. THIS DRAWING IS BASED UPON LATEST AVAILABLE INFORMATION AND IS SUBJECT TO CHANGE WITHOUT NOTICE.



TITLE:
MGE GALAXY 3500
NARROW TOWER, 10-15kVA, 208V
2 MODULES WITH 2 XR-BATTERY CABINETS
BOTTOM VIEW & ANCHORING DETAILS

PROJECT: SUBMITTAL DRAWINGS SHEET 2 OF 4

DWG NO: C35T10K15FN2B2SBPAR

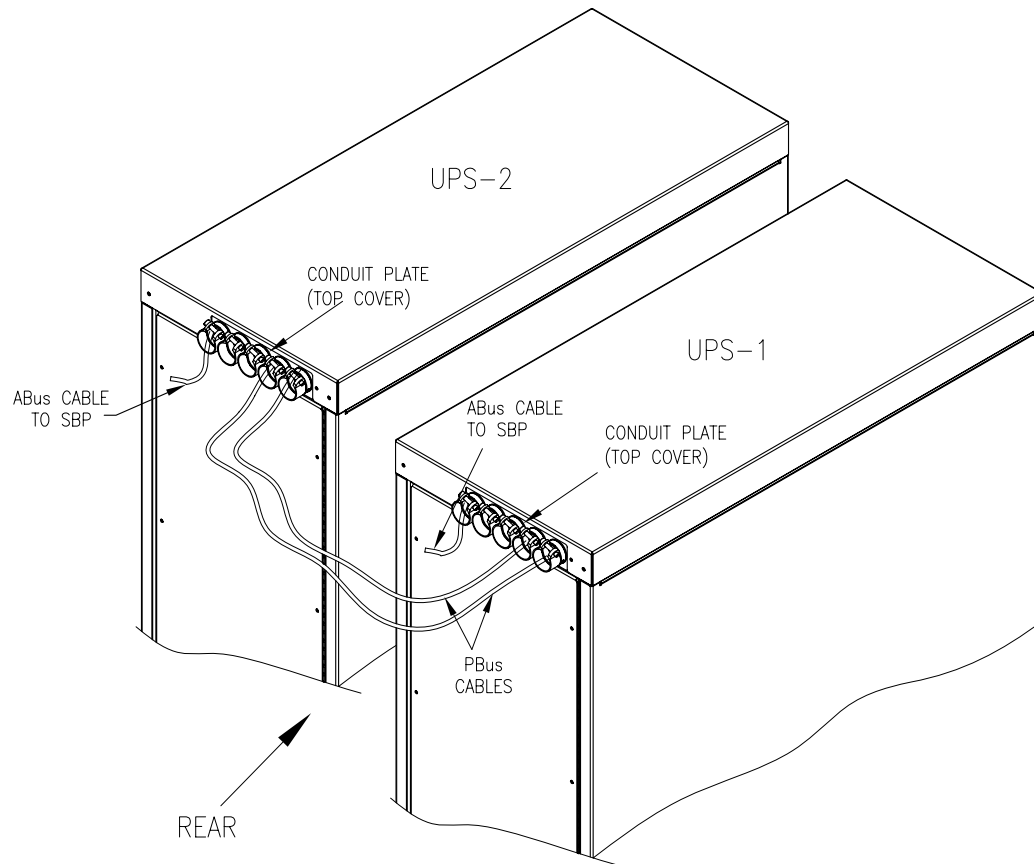
DRAWN BY: JAYAPRAKASH 04-NOV-09

ENGINEER: F.CENDEJAS 16-NOV-09

APPROVED BY: B.SHERIDAN 16-NOV-09

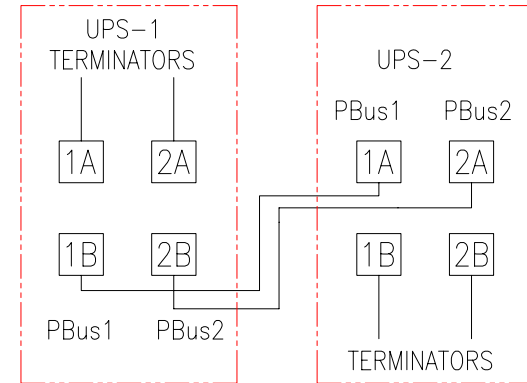
REV: 0

THIRD ANGLE PROJECTION



PARALLEL CONFIGURATION WIRING DETAILS
(ISOMETRIC VIEW)

PBus CABLE LAYOUT



NOTES:

1. INSTALLATION SHALL COMPLY WITH ALL APPLICABLE NATIONAL, STATE AND LOCAL CODES.
2. PLEASE REFER TO PRODUCT MANUALS FOR ADDITIONAL DETAILS.

THIS DRAWING AND SPECIFICATIONS HEREIN ARE THE PROPERTY OF SCHNEIDER ELECTRIC AND SHALL NOT BE COPIED, REPRODUCED OR USED IN WHOLE OR IN PART, AS THE BASIS FOR THE MANUFACTURE OR SALE OF ITEMS WITHOUT WRITTEN PERMISSION FROM SCHNEIDER ELECTRIC. THIS DRAWING IS BASED UPON LATEST AVAILABLE INFORMATION AND IS SUBJECT TO CHANGE WITHOUT NOTICE.



TITLE:
MGE GALAXY 3500
NARROW TOWER, 10-15kVA, 208V
2 MODULES WITH 2 XR-BATTERY CABINETS
WIRING DETAILS
PROJECT: SUBMITTAL DRAWINGS | SHEET 3 OF 4

DWG NO: C35T10K15FN2B2SBPAR
DRAWN BY: JAYAPRAKASH 04-NOV-09
ENGINEER: F.CENDEJAS 16-NOV-09
APPROVED BY: B.SHERIDAN 16-NOV-09

REV. 0
THIRD ANGLE PROJECTION

Weight and Runtime details for 2 module UPS (10-15kVA) with XR Battery Cabinets & SBP

Battery position	No. of bat shelves	G35T10KF1B2S			G35T10KF2B2S			G35T15KF2B2S		
		Net Weight of Solution		Runtime in Min	Net Weight of Solution		Runtime in Min	Net Weight of Solution		Runtime in Min
		in lbs	in kg		in lbs	in kg		in lbs	in kg	
UPS	1	1661	754	6	n.a	n.a	n.a	n.a	n.a	n.a
UPS	2	2066	938	18	2066	938	18	2066	938	10
XR1	3	3352	1522	31	3352	1522	31	3352	1522	18
XR1	4	3775	1714	46	3775	1714	46	3775	1714	27
XR1	5	4198	1906	61	4198	1906	61	4198	1906	37
XR1	6	4621	2098	77	4621	2098	77	4621	2098	47
XR1	7	5044	2290	93	5044	2290	93	5044	2290	57
XR1	8	5467	2482	110	5467	2482	110	5467	2482	67
XR2	9	6753	3066	128	6753	3066	128	6753	3066	78
XR2	10	7176	3258	145	7176	3258	145	7176	3258	89
XR2	11	7599	3450	163	7599	3450	163	7599	3450	100
XR2	12	8022	3642	182	8022	3642	182	8022	3642	112
XR2	13	8445	3834	200	8445	3834	200	8445	3834	123
XR2	14	8868	4026	219	8868	4026	219	8868	4026	135
XR3	15	10154	4610	239	10154	4610	239	10154	4610	147
XR3	16	10577	4802	258	10577	4802	258	10577	4802	159
XR3	17	11000	4994	278	11000	4994	278	11000	4994	171
XR3	18	11423	5186	298	11423	5186	298	11423	5186	184
XR3	19	11846	5378	318	11846	5378	318	11846	5378	196
XR3	20	12269	5570	339	12269	5570	339	12269	5570	209
XR4	21	13555	6154	359	13555	6154	359	13555	6154	222
XR4	22	13978	6346	380	13978	6346	380	13978	6346	235
XR4	23	14401	6538	401	14401	6538	401	14401	6538	248
XR4	24	14824	6730	422	14824	6730	422	14824	6730	261
XR4	25	15247	6922	444	15247	6922	444	15247	6922	274
XR4	26	15670	7114	465	15670	7114	465	15670	7114	288

△3

NOTES:

1. INSTALLATION SHALL COMPLY WITH ALL APPLICABLE NATIONAL, STATE AND LOCAL CODES.
2. PLEASE REFER TO PRODUCT MANUALS FOR ADDITIONAL DETAILS.
- △3. CONFIGURATION REPRESENTED IN THIS DRAWING.

THIS DRAWING AND SPECIFICATIONS HEREIN ARE THE PROPERTY OF SCHNEIDER ELECTRIC AND SHALL NOT BE COPIED, REPRODUCED OR USED IN WHOLE OR IN PART, AS THE BASIS FOR THE MANUFACTURE OR SALE OF ITEMS WITHOUT WRITTEN PERMISSION FROM SCHNEIDER ELECTRIC. THIS DRAWING IS BASED UPON LATEST AVAILABLE INFORMATION AND IS SUBJECT TO CHANGE WITHOUT NOTICE.



TITLE:	MGE GALAXY 3500 NARROW TOWER, 10-15kVA, 208V 2 MODULES WITH 2 XR-BATTERY CABINETS WEIGHT & RUNTIME DETAILS	DWG NO:	G35T10K15FN2B2SBPAR	REV.	0
PROJECT: SUBMITTAL DRAWINGS	SHEET 4 OF 4	DRAWN BY:	JAYAPRAKASH	04-NOV-09	THIRD ANGLE
		ENGINEER:	F.CENDEJAS	16-NOV-09	
		APPROVED BY:	B.SHERIDAN	16-NOV-09	PROJECTION