

NOTES:

1. INSTALLATION SHALL COMPLY WITH ALL APPLICABLE NATIONAL, STATE AND LOCAL CODES.
2. PLEASE REFER TO PRODUCT MANUALS FOR ADDITIONAL DETAILS.
3. UNLESS OTHERWISE SPECIFIED, ALL DIMENSIONS ARE IN INCHES [MILLIMETERS].
4. CABLE ENTRY IS REAR OF UNIT.
5. FRONT AND REAR SERVICE CLEARANCE, TOP COOLING CLEARANCE REQUIRED.
- △ 6. IF REQUIRED FOR WORKING CLEARANCE, USE FLEXIBLE CONDUIT WITH SUFFICIENT LENGTH TO ALLOW THE UNIT TO BE MOVED OUT FOR SERVICE.
7. PLEASE REFER TO SHEET-7 FOR WEIGHT AND RUNTIME DETAILS.
8. COLOR: GREY METALLIC.
9. OPERATING TEMPERATURE: 32°F [0°C] MIN. TO 104°F [40°C] MAX.
RECOMMENDED OPERATING RANGE: 59°F [15°C] TO 77°F [25°C].

Rating	SKU Number	COG Details in Inches [mm]		
		X-Distance	Y-Distance	Z-Distance
10kVA	G35T10KF1B4S	9.72 [247]	25.20 [640]	15.79 [401]
	G35T10KF2B4S	9.84 [250]	22.99 [584]	15.71 [399]
	G35T10KF3B4S	9.92 [252]	22.76 [578]	15.63 [397]
	G35T10KF4B4S	9.96 [253]	23.58 [599]	15.63 [397]
15kVA	G35T15KF2B4S	9.84 [250]	22.99 [584]	15.71 [399]
	G35T15KF3B4S	9.92 [252]	22.76 [578]	15.63 [397]
	G35T15KF4B4S	9.96 [253]	23.58 [599]	15.63 [397]
20kVA	G35T20KF2B4S	9.84 [250]	22.99 [584]	15.71 [399]
	G35T20KF3B4S	9.92 [252]	22.76 [578]	15.63 [397]
	G35T20KF4B4S	9.96 [253]	23.58 [599]	15.63 [397]
30kVA	G35T30KF3B4S	10.16 [258]	23.90 [607]	15.51 [394]
	G35T30KF4B4S	10.16 [258]	24.49 [622]	15.47 [393]

THIS DRAWING AND SPECIFICATIONS HEREIN ARE THE PROPERTY OF SCHNEIDER ELECTRIC AND SHALL NOT BE COPIED, REPRODUCED OR USED IN WHOLE OR IN PART, AS THE BASIS FOR THE MANUFACTURE OR SALE OF ITEMS WITHOUT WRITTEN PERMISSION FROM SCHNEIDER ELECTRIC. THIS DRAWING IS BASED UPON LATEST AVAILABLE INFORMATION AND IS SUBJECT TO CHANGE WITHOUT NOTICE.



TITLE:
MGE GALAXY 3500 WIDE TOWER
10kVA TO 30kVA, 208V, 3PH
WITH BATTERY MODULES, INT MAINT BYPASS
MAIN MECHANICAL

PROJECT: SUBMITTAL DRAWINGS | SHEET 1 OF 7

DWG NO: G35T10K30FW

ENGINEER: T.MULLER

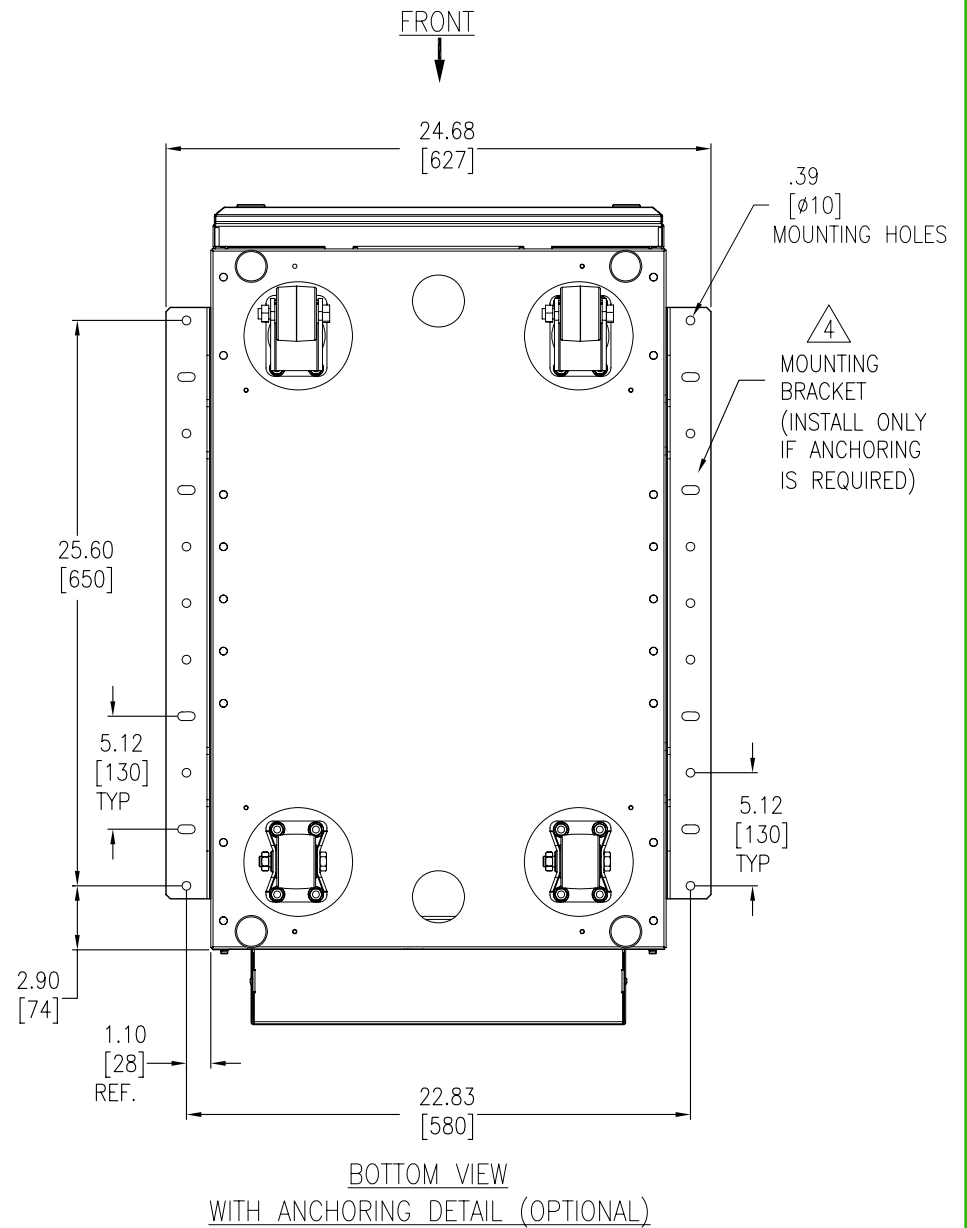
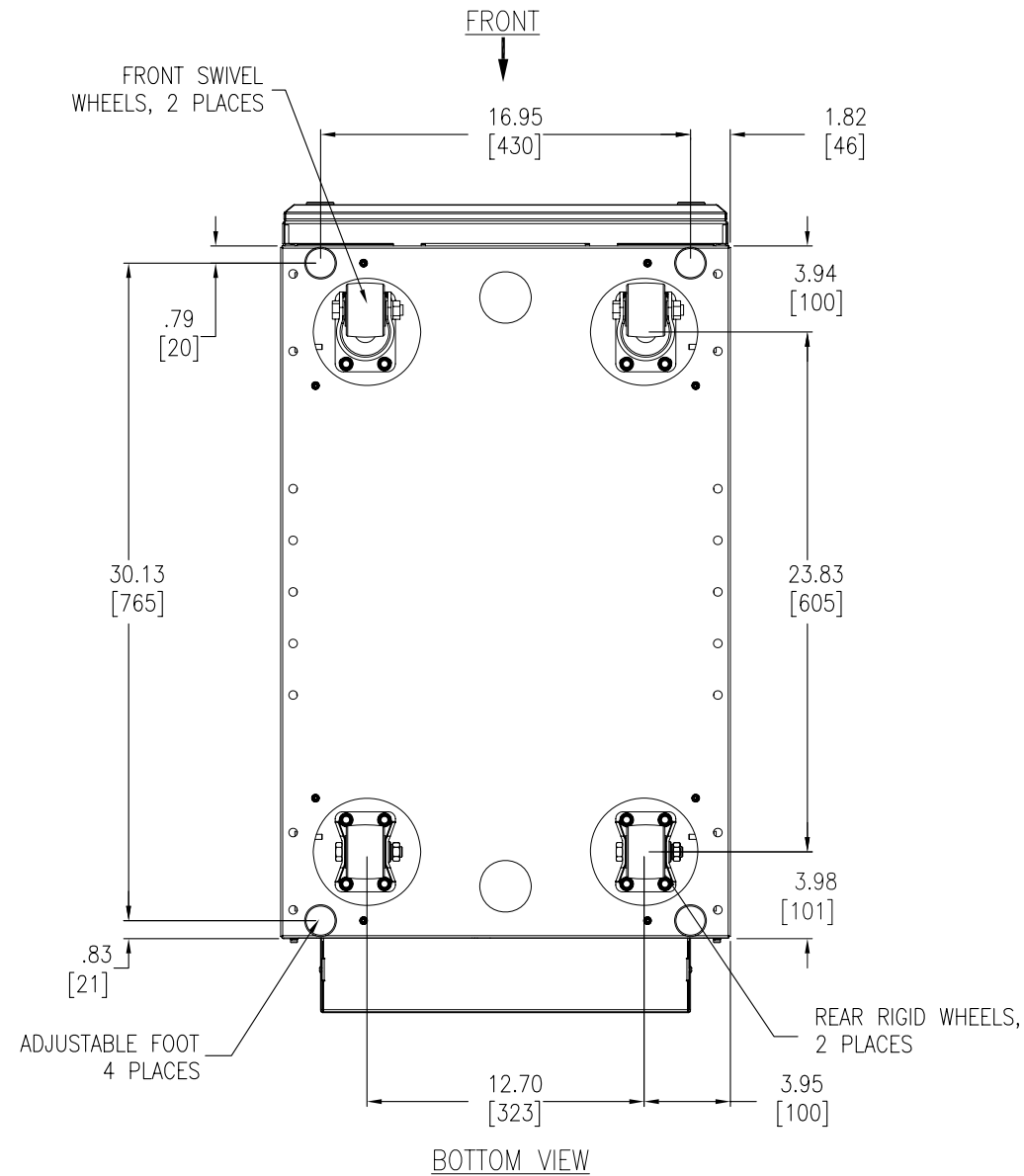
APPROVED BY: B.SHERIDAN

22-MAR-11

22-MAR-11

REV. 1

THIRD ANGLE PROJECTION



NOTES:

1. INSTALLATION SHALL COMPLY WITH ALL APPLICABLE NATIONAL, STATE AND LOCAL CODES.
2. PLEASE REFER TO PRODUCT MANUALS FOR ADDITIONAL DETAILS.
3. UNLESS OTHERWISE SPECIFIED, ALL DIMENSIONS ARE IN INCHES [MILLIMETERS].
4. PLEASE REFER TO DOCUMENT G35TSA FOR SEISMIC ANCHORING DETAILS.

THIS DRAWING AND SPECIFICATIONS HEREIN ARE THE PROPERTY OF SCHNEIDER ELECTRIC AND SHALL NOT BE COPIED, REPRODUCED OR USED IN WHOLE OR IN PART, AS THE BASIS FOR THE MANUFACTURE OR SALE OF ITEMS WITHOUT WRITTEN PERMISSION FROM SCHNEIDER ELECTRIC. THIS DRAWING IS BASED UPON LATEST AVAILABLE INFORMATION AND IS SUBJECT TO CHANGE WITHOUT NOTICE.



TITLE:
MGE GALAXY 3500 WIDE TOWER
10kVA TO 30kVA, 208V, 3PH
WITH BATTERY MODULES, INT MAINT BYPASS
BOTTOM VIEWS

PROJECT: SUBMITTAL DRAWINGS SHEET 2 OF 7

DWG NO: G35T10K30FW

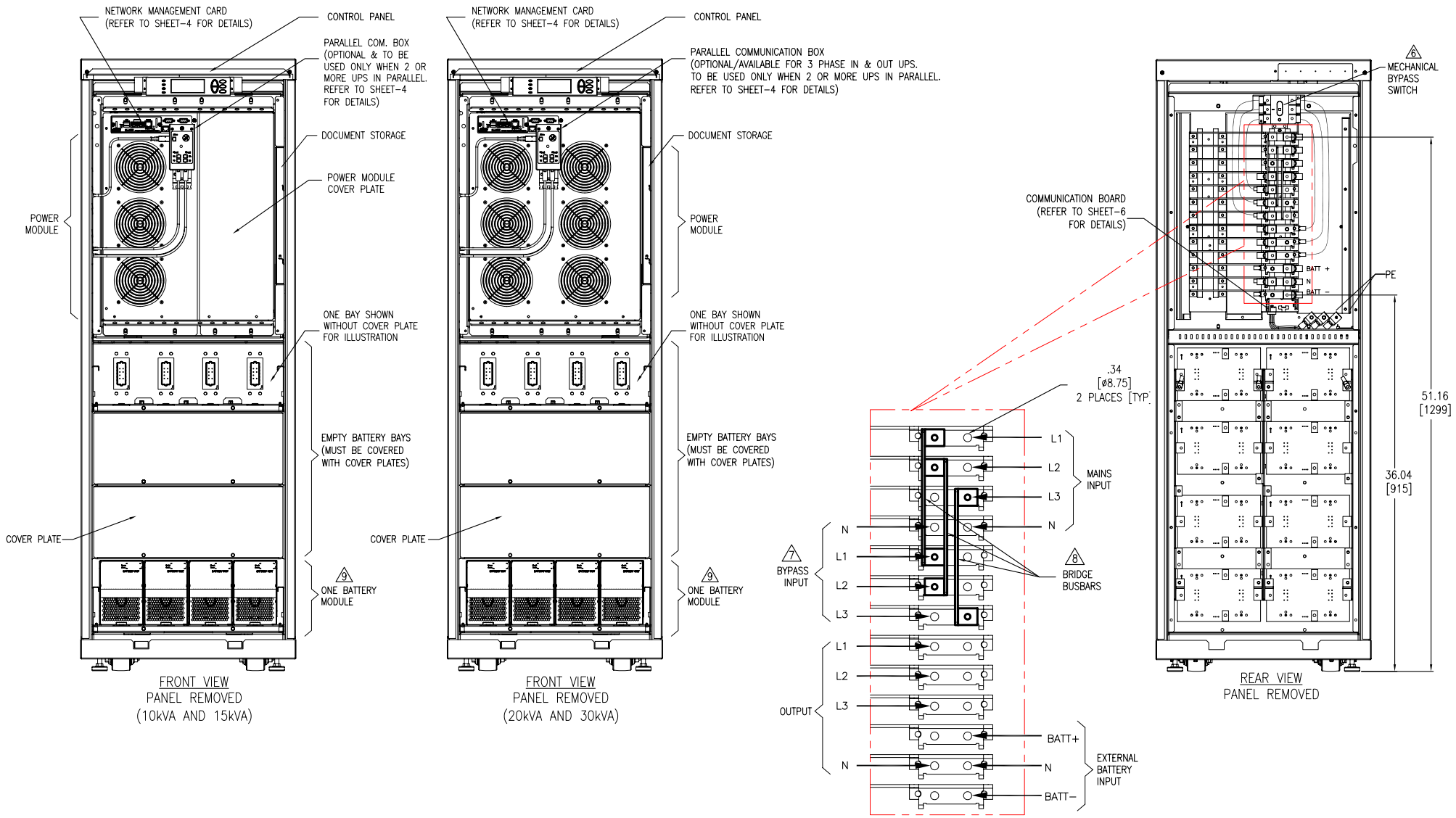
DRAWN BY: JAYAPRAKASH 2-SEP-09

ENGINEER: I.KENNEDY 01-OCT-09

APPROVED BY: B.SHERIDAN 01-OCT-09

REV: 0

THIRD ANGLE PROJECTION



- NOTES**
1. INSTALLATION SHALL COMPLY WITH ALL APPLICABLE NATIONAL, STATE AND LOCAL CODES.
 2. PLEASE REFER TO PRODUCT MANUALS FOR ADDITIONAL DETAILS.
 3. UNLESS OTHERWISE SPECIFIED, ALL DIMENSIONS ARE IN INCHES [MILLIMETERS].
 4. SOME STRUCTURAL DETAILS HAVE BEEN OMITTED FOR THE PURPOSE OF CLARITY.
 5. MGE GALAXY 3500 UPS IS DESIGNED FOR SINGLE AND DUAL MAINS. SINGLE MAINS INSTALLATION IS A DEFAULT.
 - △ 6. THE MECHANICAL BYPASS SWITCH MUST BE REMOVED WHEN THE UPS IS TO RUN IN PARALLEL.
 - △ 7. FOR DUAL MAINS ONLY.
 - △ 8. TO BE REMOVED FOR DUAL MAINS INSTALLATION.
 - △ 9. THIS DRAWING REPRESENTS THE SKU WITH ONE BATTERY MODULE. PLEASE REFER TO SHEET-7 FOR DETAILS ABOUT ADDITIONAL BATTERY MODULES.

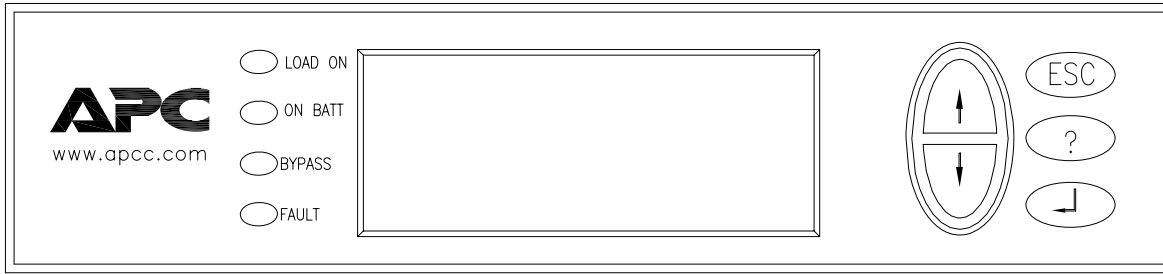
THIS DRAWING AND SPECIFICATIONS HEREIN ARE THE PROPERTY OF SCHNEIDER ELECTRIC AND SHALL NOT BE COPIED, REPRODUCED OR USED IN WHOLE OR IN PART, AS THE BASIS FOR THE MANUFACTURE OR SALE OF ITEMS WITHOUT WRITTEN PERMISSION FROM SCHNEIDER ELECTRIC. THIS DRAWING IS BASED UPON LATEST AVAILABLE INFORMATION AND IS SUBJECT TO CHANGE WITHOUT NOTICE.



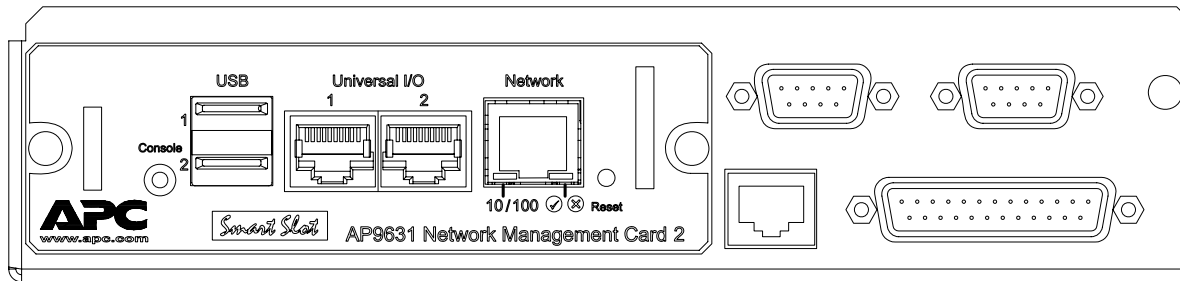
TITLE:
 MGE GALAXY 3500 WIDE TOWER
 10kVA TO 30kVA, 208V, 3PH
 WITH BATTERY MODULES, INT MAINT BYPASS
 CONTROL PANEL, NMC & COM. BOX

PROJECT: SUBMITTAL DRAWINGS | SHEET 3 OF 7

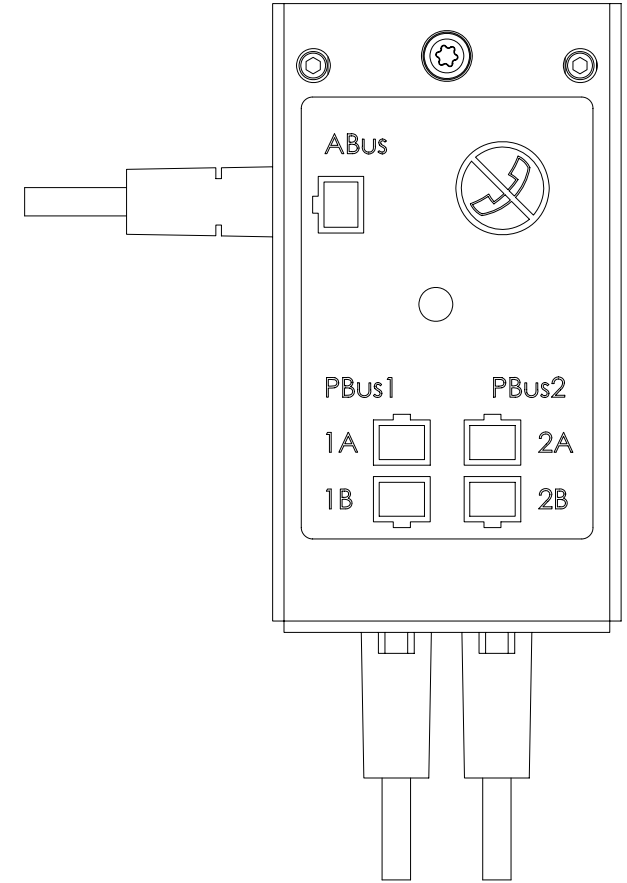
DWG NO:	G35T10K30FW	REV:	1
DRAWN BY:	JAYAPRAKASH	22-MAR-11	THIRD ANGLE
ENGINEER:	T.MULLER	22-MAR-11	PROJECTION
APPROVED BY:	B.SHERIDAN	22-MAR-11	



CONTROL PANEL



NETWORK MANAGEMENT CARD



PARALLEL COMMUNICATION BOX
SKU NUMBER: SUVTOPT009
(OPTIONAL)

NOTES:

1. INSTALLATION SHALL COMPLY WITH ALL APPLICABLE NATIONAL, STATE AND LOCAL CODES.
2. PLEASE REFER TO PRODUCT MANUALS FOR ADDITIONAL DETAILS.

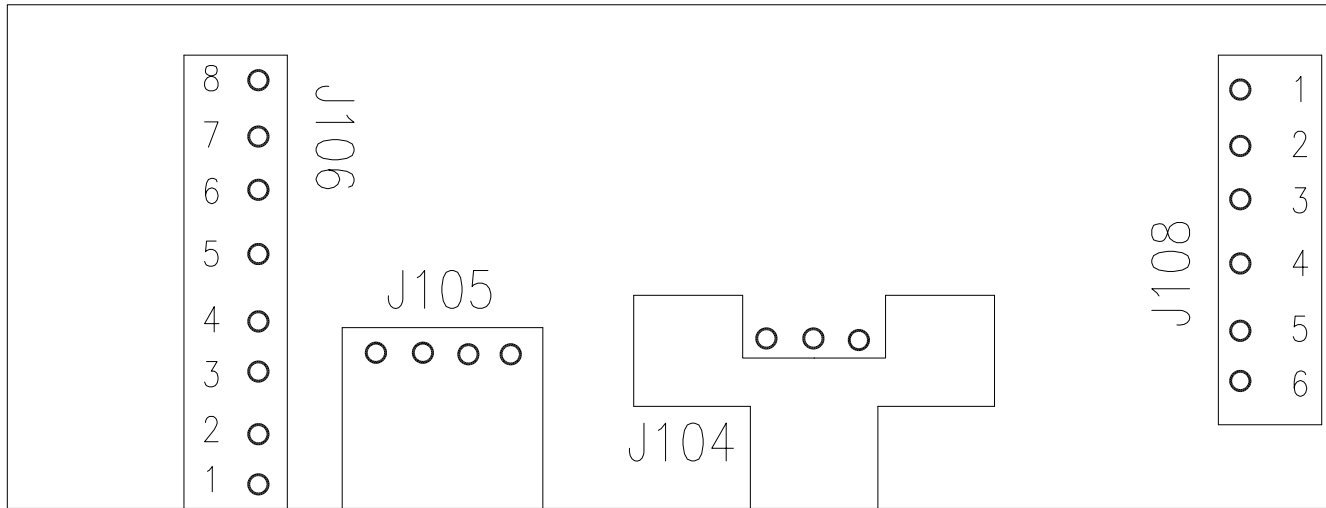
THIS DRAWING AND SPECIFICATIONS HEREIN ARE THE PROPERTY OF SCHNEIDER ELECTRIC AND SHALL NOT BE COPIED, REPRODUCED OR USED IN WHOLE OR IN PART, AS THE BASIS FOR THE MANUFACTURE OR SALE OF ITEMS WITHOUT WRITTEN PERMISSION FROM SCHNEIDER ELECTRIC. THIS DRAWING IS BASED UPON LATEST AVAILABLE INFORMATION AND IS SUBJECT TO CHANGE WITHOUT NOTICE.



TITLE:
MGE GALAXY 3500 WIDE TOWER
10kVA TO 30kVA, 208V, 3PH
WITH BATTERY MODULES, INT MAINT BYPASS
INPUT-OUTPUT DETAILS
PROJECT: SUBMITTAL DRAWINGS | SHEET 4 OF 7

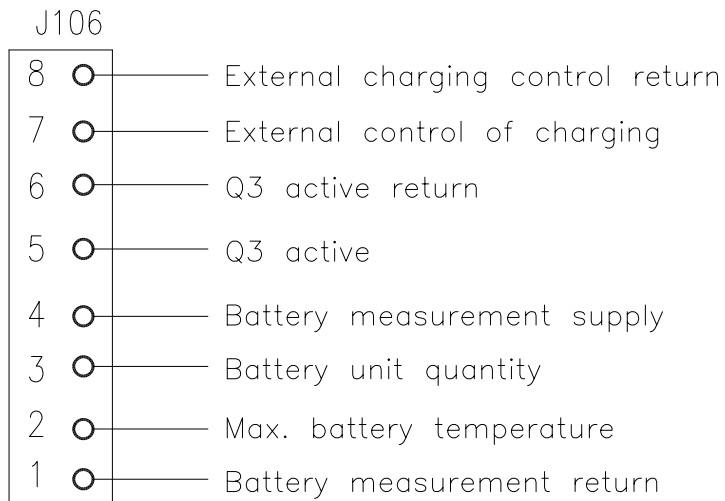
DWG NO: G35T10K30FW
DRAWN BY: JAYAPRAKASH | 2-SEP-09
ENGINEER: I.KENNEDY | 01-OCT-09
APPROVED BY: B.SHERIDAN | 01-OCT-09

REV: 0
THIRD ANGLE PROJECTION

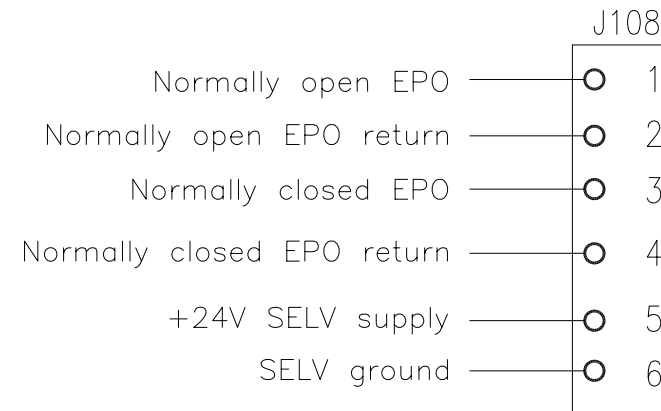


COMMUNICATION BOARD

J106 PIN CONNECTIONS



J108 PIN CONNECTIONS



NOTES:

1. INSTALLATION SHALL COMPLY WITH ALL APPLICABLE NATIONAL, STATE AND LOCAL CODES.
2. PLEASE REFER TO PRODUCT MANUALS FOR ADDITIONAL DETAILS.

THIS DRAWING AND SPECIFICATIONS HEREIN ARE THE PROPERTY OF SCHNEIDER ELECTRIC AND SHALL NOT BE COPIED, REPRODUCED OR USED IN WHOLE OR IN PART, AS THE BASIS FOR THE MANUFACTURE OR SALE OF ITEMS WITHOUT WRITTEN PERMISSION FROM SCHNEIDER ELECTRIC. THIS DRAWING IS BASED UPON LATEST AVAILABLE INFORMATION AND IS SUBJECT TO CHANGE WITHOUT NOTICE.



TITLE:
MGE GALAXY 3500 WIDE TOWER
10kVA TO 30kVA, 208V, 3PH
WITH BATTERY MODULES, INT MAINT BYPASS
COMMUNICATION BOARD

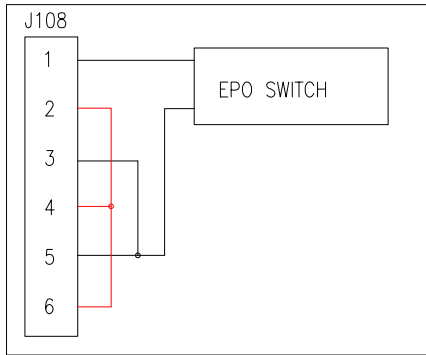
PROJECT: SUBMITTAL DRAWINGS | SHEET 5 OF 7

DWG NO:	G35T10K30FW	REV:	0
DRAWN BY:	JAYAPRAKASH	2-SEP-09	THIRD ANGLE PROJECTION
ENGINEER:	I.KENNEDY	01-OCT-09	
APPROVED BY:	B.SHERIDAN	01-OCT-09	

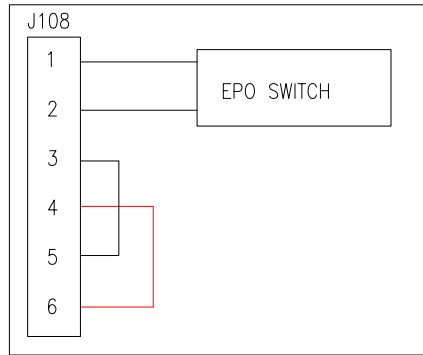
EPO WIRING OPTIONS (J108)

CONNECT THE EPO CABLE, USING ONE OF THE FOLLOWING 4 WIRING CONFIGURATIONS.

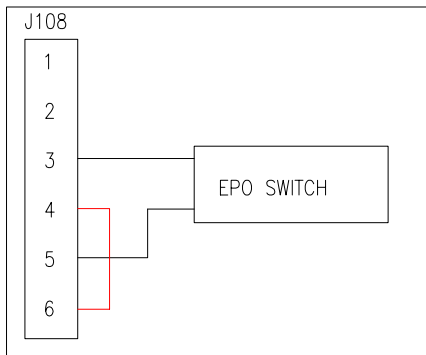
1: DRY CONTACTS NORMALLY OPEN



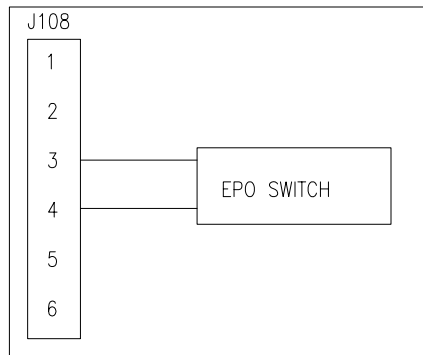
2: +24V NORMALLY OPEN



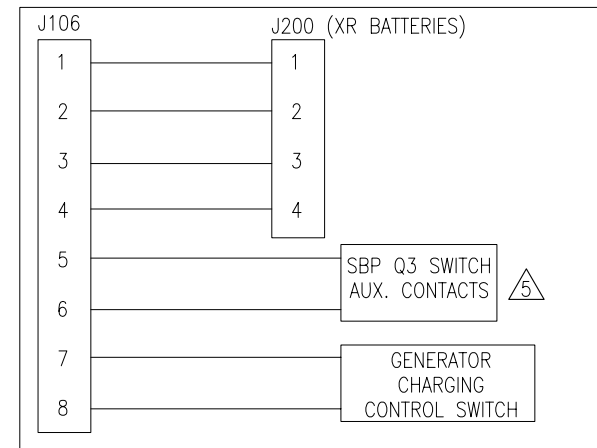
3: DRY CONTACTS NORMALLY CLOSED



4: +24V NORMALLY CLOSED



XR ENCLOSURE, APC SBP, AND GENERATOR CONTROL WIRING (J106)



1. INSTALLATION SHALL COMPLY WITH ALL APPLICABLE NATIONAL, STATE AND LOCAL CODES.
 2. PLEASE REFER TO PRODUCT MANUALS FOR ADDITIONAL DETAILS.
 3. FOR COMMUNICATION CABLES USE ONLY 28-16AWG COPPER WIRE RATED MINIMUM 250V.
 4. FOR SYSTEM CONTROL CONNECTIONS (CAN I/O BOARD LOCATED IN SBP), PLEASE REFER TO DRAWING NUMBER: G35T10K30F-1MOD-WD/G35T10K30F-2MOD-WD/G35T10K30F-3MOD-WD.
- △ 5. FOR ONE MODULE CONFIGURATION ONLY.

THIS DRAWING AND SPECIFICATIONS HEREIN ARE THE PROPERTY OF SCHNEIDER ELECTRIC AND SHALL NOT BE COPIED, REPRODUCED OR USED IN WHOLE OR IN PART, AS THE BASIS FOR THE MANUFACTURE OR SALE OF ITEMS WITHOUT WRITTEN PERMISSION FROM SCHNEIDER ELECTRIC. THIS DRAWING IS BASED UPON LATEST AVAILABLE INFORMATION AND IS SUBJECT TO CHANGE WITHOUT NOTICE.



TITLE:	MGE GALAXY 3500 WIDE TOWER 10kVA TO 30kVA, 208V, 3PH WITH BATTERY MODULES, INT MAINT BYPASS EPO CIRCUITS	DWG NO:	G35T10K30FW	REV:	0
PROJECT:	SUBMITTAL DRAWINGS	DRAWN BY:	JAYAPRAKASH	2-SEP-09	THIRD ANGLE
	SHEET 6 OF 7	ENGINEER:	I.KENNEDY	01-OCT-09	PROJECTION
		APPROVED BY:	B.SHERIDAN	01-OCT-09	

WEIGHT AND RUNTIME DETAILS

Total number of battery modules (SYBT4) in UPS	10kVA								15kVA						20kVA						30kVA			
	G35T10KF1B4S		G35T10KF2B4S		G35T10KF3B4S		G35T10KF4B4S		G35T15KF2B4S		G35T15KF3B4S		G35T15KF4B4S		G35T20KF2B4S		G35T20KF3B4S		G35T20KF4B4S		G35T30KF3B4S		G35T30KF4B4S	
	Net Weight in lbs [kg]	Runtime in Min	Net Weight in lbs [kg]	Runtime in Min	Net Weight in lbs [kg]	Runtime in Min	Net Weight in lbs [kg]	Runtime in Min	Net Weight in lbs [kg]	Runtime in Min	Net Weight in lbs [kg]	Runtime in Min	Net Weight in lbs [kg]	Runtime in Min	Net Weight in lbs [kg]	Runtime in Min	Net Weight in lbs [kg]	Runtime in Min	Net Weight in lbs [kg]	Runtime in Min	Net Weight in lbs [kg]	Runtime in Min	Net Weight in lbs [kg]	Runtime in Min
1	711 [323]	6																						
2	913 [415]	18	913 [415]	18				913 [415]	10						979 [445]	6								
3	1115 [507]	31	1115 [507]	31	1115 [507]	31		1115 [507]	18	1115 [507]	18			1181 [537]	12	1181 [537]	12				1181 [537]	6		
4	1318 [599]	46	1318 [599]	46	1318 [599]	46	1318 [600]	46	1318 [599]	27	1318 [599]	27	1318 [600]	27	1384 [629]	18	1384 [629]	18	1384 [629]	18	1384 [629]	10	1384 [629]	10

FOR RUNTIME DETAILS WITH XR BATTERY CABINETS, PLEASE REFER TO SOLUTION DRAWINGS:

G35T10K30FW1B4SBPAR/G35T10K30FW2B2SBPAR/G35T10K30FW3B3SBPAR/G35T10K30FW4B1SBPDPXFMR
 G35T10K30FW1B4XFMSBP/G35T10K30FW1B4SBP

NOTES:

1. INSTALLATION SHALL COMPLY WITH ALL APPLICABLE NATIONAL, STATE AND LOCAL CODES.
2. PLEASE REFER TO PRODUCT MANUALS FOR ADDITIONAL DETAILS.

THIS DRAWING AND SPECIFICATIONS HEREIN ARE THE PROPERTY OF SCHNEIDER ELECTRIC AND SHALL NOT BE COPIED, REPRODUCED OR USED IN WHOLE OR IN PART, AS THE BASIS FOR THE MANUFACTURE OR SALE OF ITEMS WITHOUT WRITTEN PERMISSION FROM SCHNEIDER ELECTRIC. THIS DRAWING IS BASED UPON LATEST AVAILABLE INFORMATION AND IS SUBJECT TO CHANGE WITHOUT NOTICE.



TITLE:
 MGE GALAXY 3500 WIDE TOWER
 10kVA TO 30kVA, 208V, 3PH
 WITH BATTERY MODULES, INT MAINT BYPASS
 WEIGHT & RUNTIME DETAILS
 PROJECT: SUBMITTAL DRAWINGS | SHEET 7 OF 7

DWG NO: G35T10K30FW
 DRAWN BY: JAYAPRAKASH | 27-JUL-16
 ENGINEER: T.MULLER | 27-JUL-16
 APPROVED BY: M.MAISSY | 27-JUL-16

REV. 1
 ANGLE PROJECTION
 N.A