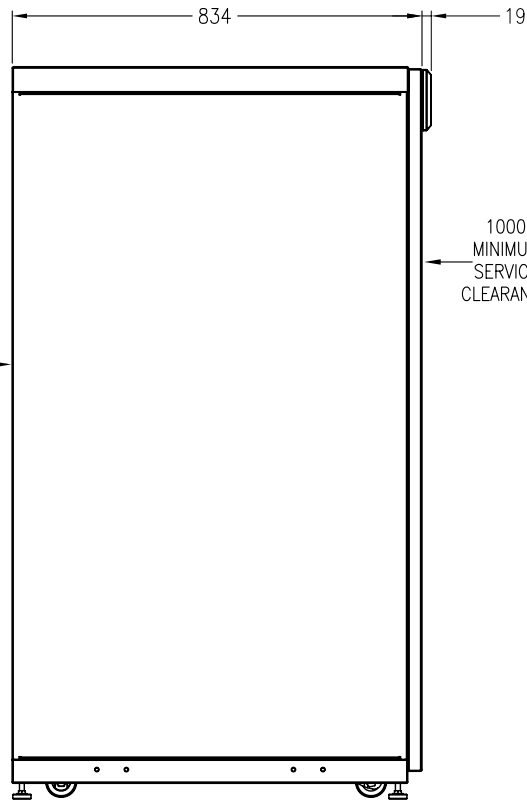


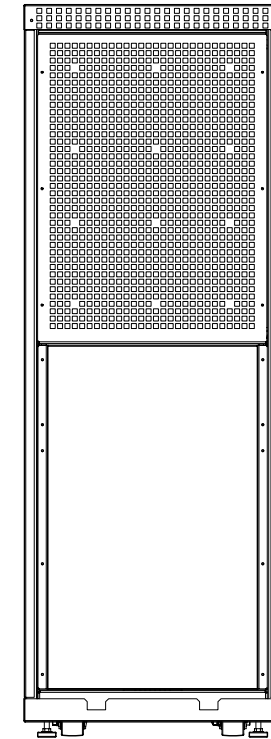
FRONT VIEW

523 MINIMUM VENTILATION CLEARANCE

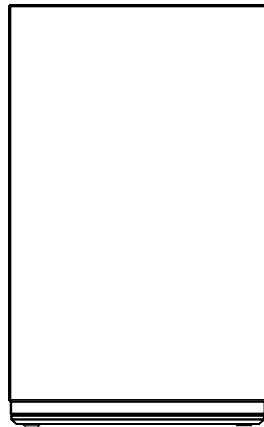
△ 6
100 MINIMUM SERVICE CLEARANCE



SIDE VIEW



REAR VIEW



TOP VIEW

NOTES:

1. INSTALLATION SHALL COMPLY WITH ALL APPLICABLE NATIONAL AND LOCAL ELECTRICAL REGULATIONS.
2. PLEASE REFER TO PRODUCT MANUALS FOR ADDITIONAL DETAILS.
3. ALL DIMENSIONS ARE IN MILLIMETERS UNLESS OTHERWISE SPECIFIED.
4. CABLE ENTRY IS REAR OF UNIT. SEE UNIT WITH OPTIONAL CONDUIT BOX ON SHEET-2.
5. FRONT AND REAR SERVICE CLEARANCE, TOP COOLING CLEARANCE REQUIRED.
- △ 6. USE FLEXIBLE CONDUIT WITH SUFFICIENT LENGTH TO ALLOW THE UNIT TO BE MOVED OUT FOR SERVICE.
7. WEIGHT OF UNIT IS 260kg. THE MAXIMUM RECOMMENDED WEIGHT FOR THE CUSTOMER PROVIDED BATTERY IS 500kg.
8. THE ENCLOSURE CAN CONTAIN UP TO 32 BATTERIES.
16 BATTERIES ON THE POSITIVE (RIGHT) SIDE AND 16 BATTERIES ON THE NEGATIVE (LEFT) SIDE.
THE ENCLOSURE HOLDS EIGHT BATTERY TRAYS AND FOUR BATTERIES EACH.
9. COLOR: GREY METALLIC.

THIS DRAWING AND SPECIFICATIONS HEREIN ARE THE PROPERTY OF SCHNEIDER ELECTRIC AND SHALL NOT BE COPIED, REPRODUCED OR USED IN WHOLE OR IN PART, AS THE BASIS FOR THE MANUFACTURE OR SALE OF ITEMS WITHOUT WRITTEN PERMISSION FROM SCHNEIDER ELECTRIC. THIS DRAWING IS BASED UPON LATEST AVAILABLE INFORMATION AND IS SUBJECT TO CHANGE WITHOUT NOTICE.

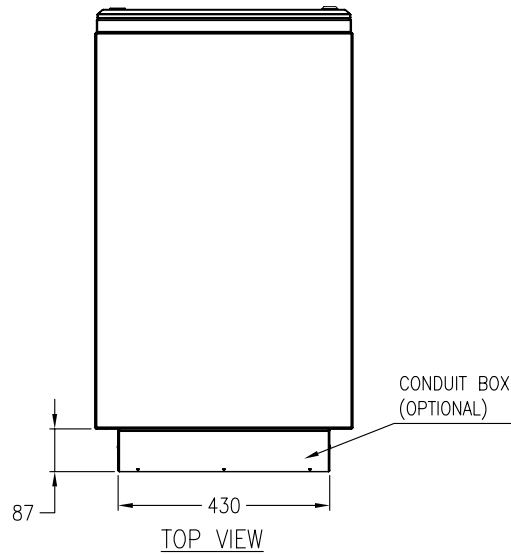
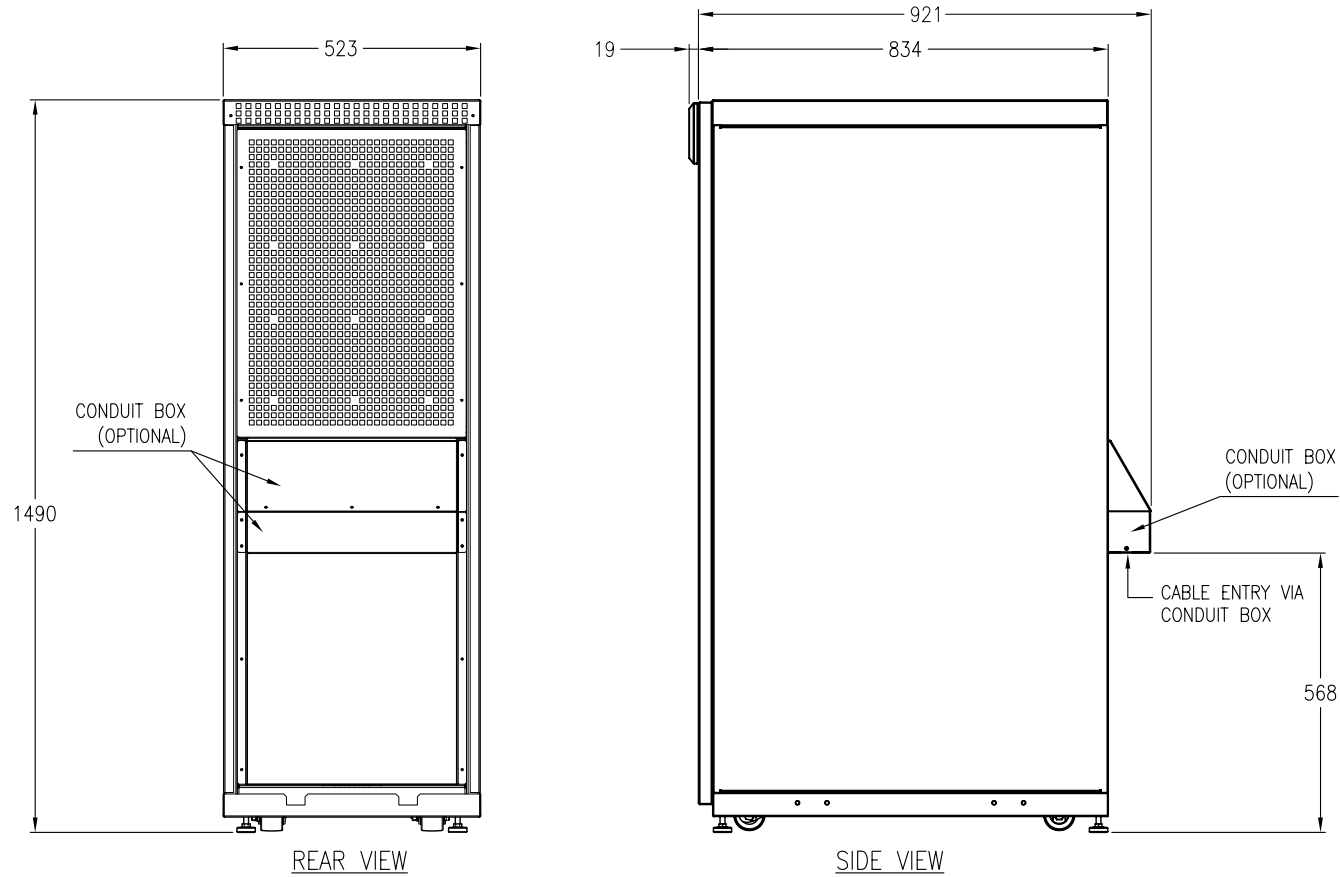


TITLE: MGE GALAXY 3500
EMPTY FRAME FOR BATTERIES
10-40kVA, 400V
MAIN MECHANICAL
PROJECT: SUBMITTAL DRAWINGS SHEET 1 OF 4

DWG NO: G35TEFBAT10K40H
DRAWN: JAYAPRAKASH 08-OCT-09
ENGINEER: I.KENNEDY 08-OCT-09
APPROVED: C.LARSEN 08-OCT-09

REV: 0
FIRST ANGLE PROJECTION

UNIT WITH OPTIONAL CONDUIT BOX



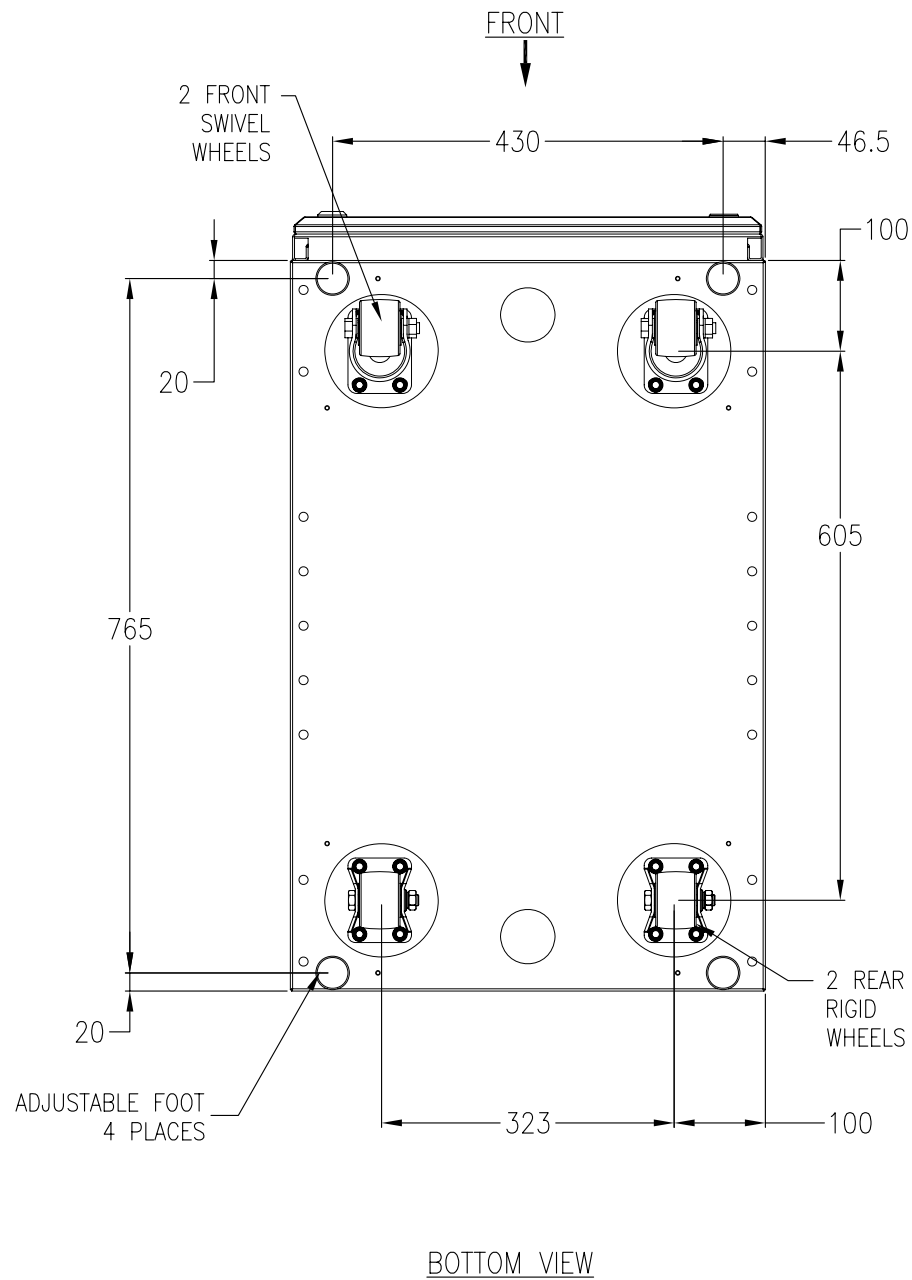
NOTES:

1. INSTALLATION SHALL COMPLY WITH ALL APPLICABLE NATIONAL AND LOCAL ELECTRICAL REGULATIONS.
2. PLEASE REFER TO PRODUCT MANUALS FOR ADDITIONAL DETAILS.
3. ALL DIMENSIONS ARE IN MILLIMETERS UNLESS OTHERWISE SPECIFIED.
4. SOME STRUCTURAL DETAILS HAVE BEEN OMITTED FOR THE PURPOSE OF CLARITY.
5. CONDUIT BOX IS NOT PROVIDED WITH THE STANDARD UNIT BUT HAS TO BE ORDERED AS AN OPTION.

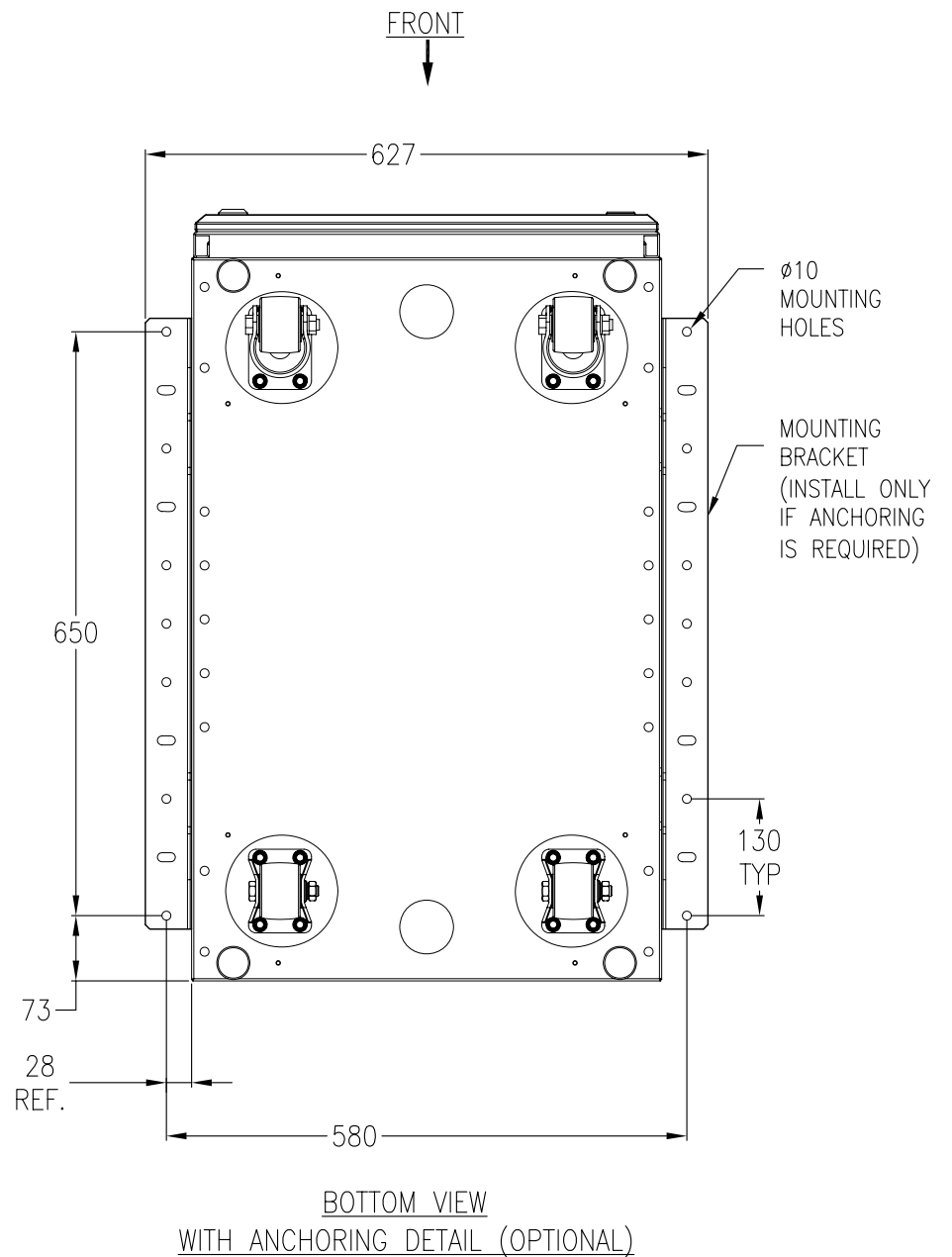
THIS DRAWING AND SPECIFICATIONS HEREIN ARE THE PROPERTY OF SCHNEIDER ELECTRIC AND SHALL NOT BE COPIED, REPRODUCED OR USED IN WHOLE OR IN PART, AS THE BASIS FOR THE MANUFACTURE OR SALE OF ITEMS WITHOUT WRITTEN PERMISSION FROM SCHNEIDER ELECTRIC. THIS DRAWING IS BASED UPON LATEST AVAILABLE INFORMATION AND IS SUBJECT TO CHANGE WITHOUT NOTICE.



TITLE:	MGE GALAXY 3500 EMPTY FRAME FOR BATTERIES 10-40kVA, 400V CONDUIT BOX OPTION	DWG NO:	G35TEFBAT10K40H	REV:	0
PROJECT:	SUBMITTAL DRAWINGS	SHEET	2 OF 4	APPROVED:	C.LARSEN
DRAWN:	JAYAPRAKASH	08-OCT-09	ENGINEER:	I.KENNEDY	08-OCT-09
				08-OCT-09	FIRST ANGLE PROJECTION



BOTTOM VIEW



BOTTOM VIEW
WITH ANCHORING DETAIL (OPTIONAL)

NOTES:

1. INSTALLATION SHALL COMPLY WITH ALL APPLICABLE NATIONAL AND LOCAL CODES.
2. PLEASE REFER TO PRODUCT MANUALS FOR ADDITIONAL DETAILS.
3. ALL DIMENSIONS ARE IN MILLIMETERS UNLESS OTHERWISE SPECIFIED.

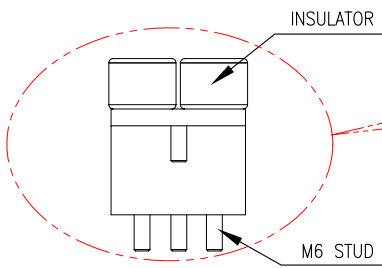
THIS DRAWING AND SPECIFICATIONS HEREIN ARE THE PROPERTY OF SCHNEIDER ELECTRIC AND SHALL NOT BE COPIED, REPRODUCED OR USED IN WHOLE OR IN PART, AS THE BASIS FOR THE MANUFACTURE OR SALE OF ITEMS WITHOUT WRITTEN PERMISSION FROM SCHNEIDER ELECTRIC. THIS DRAWING IS BASED UPON LATEST AVAILABLE INFORMATION AND IS SUBJECT TO CHANGE WITHOUT NOTICE.



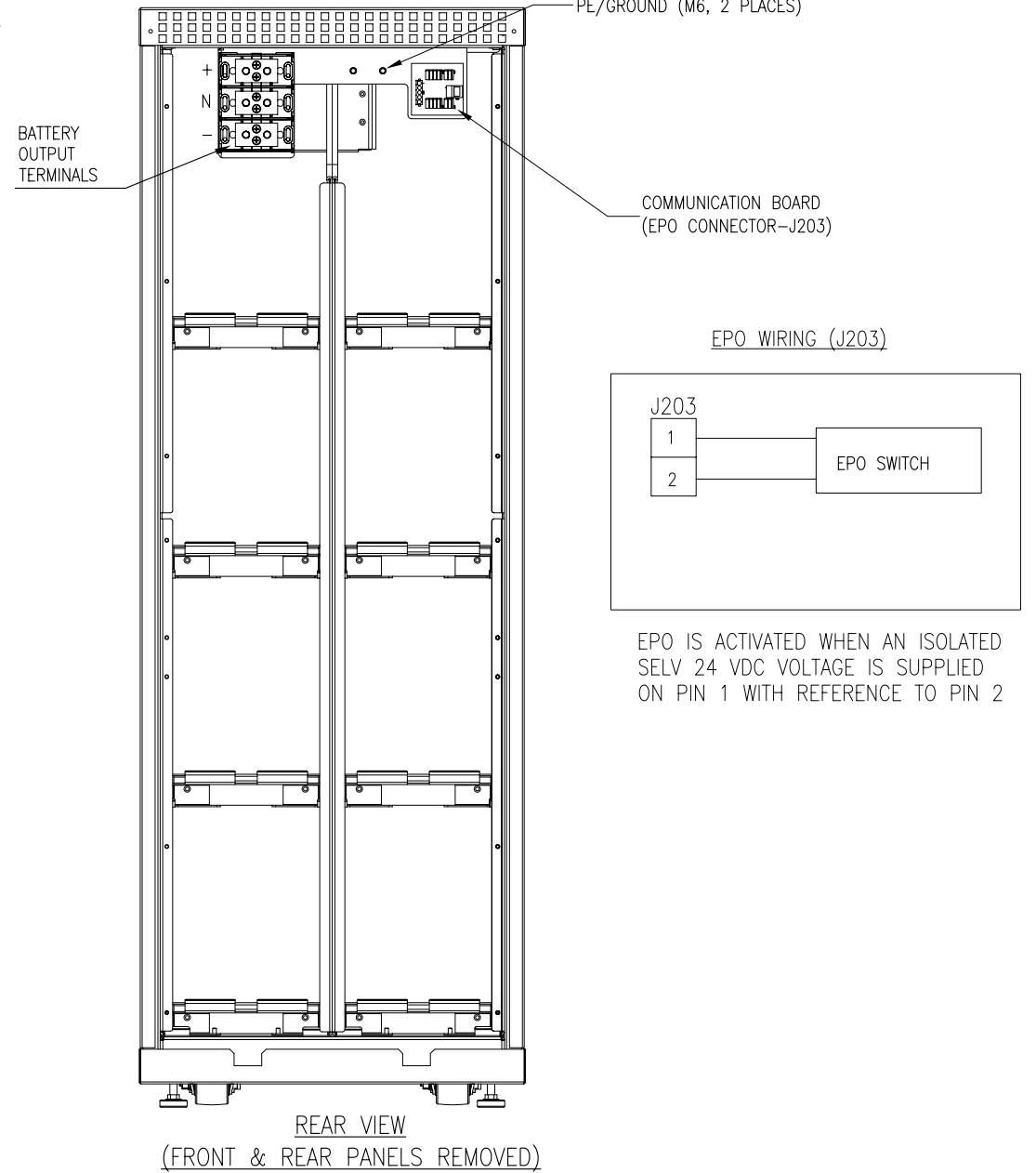
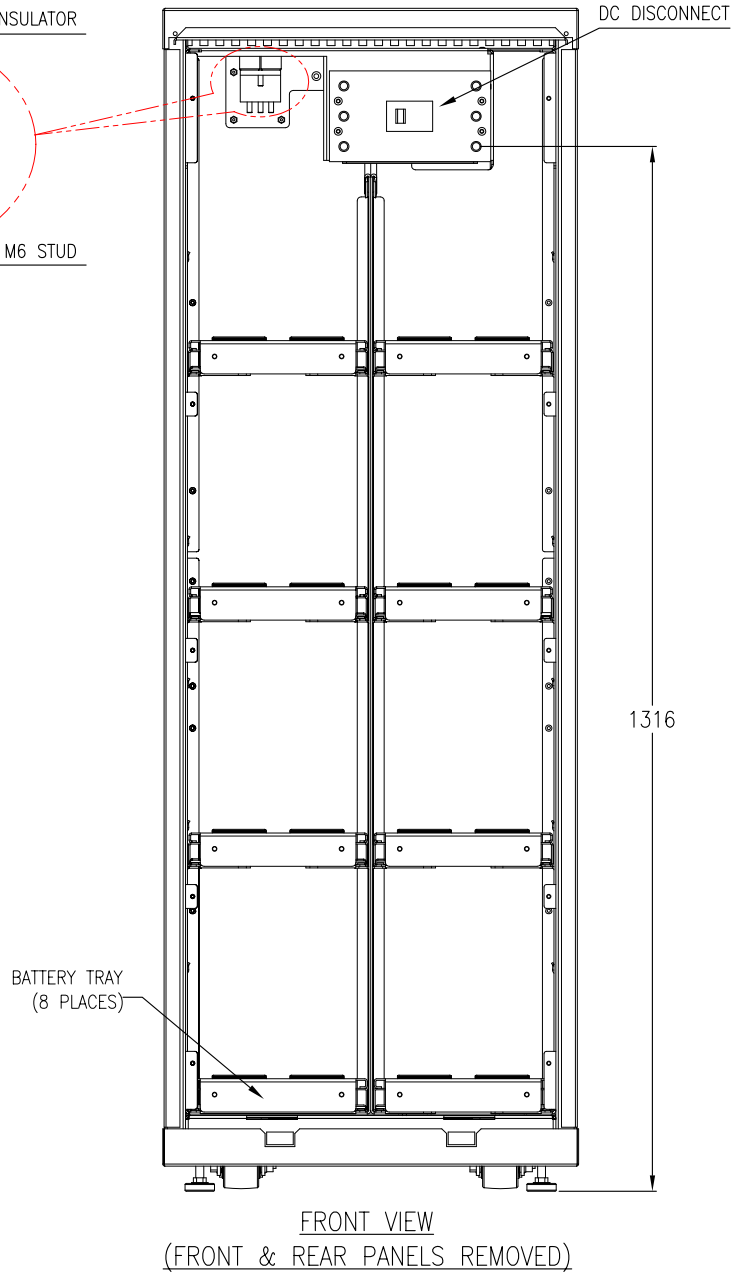
TITLE:
MGE GALAXY 3500
EMPTY FRAME FOR BATTERIES
10-40kVA, 400V
BOTTOM VIEWS
PROJECT: SUBMITTAL DRAWINGS SHEET 3 OF 4

DWG NO: G35TEFBAT10K40H
DRAWN: JAYAPRAKASH 08-OCT-09
ENGINEER: I.KENNEDY 08-OCT-09
APPROVED: C.LARSEN 08-OCT-09

REV: 0
FIRST ANGLE PROJECTION



ENLARGED VIEW



- NOTES:
1. INSTALLATION SHALL COMPLY WITH ALL APPLICABLE NATIONAL AND LOCAL ELECTRICAL REGULATIONS.
 2. PLEASE REFER TO PRODUCT MANUALS FOR ADDITIONAL DETAILS.
 3. ALL DIMENSIONS ARE IN MILLIMETERS UNLESS OTHERWISE SPECIFIED.
 4. SOME STRUCTURAL DETAILS HAVE BEEN OMITTED FOR THE PURPOSE OF CLARITY.
 5. FOR COMMUNICATION CABLES USE ONLY 28-16AWG COPPER WIRE RATED MINIMUM 250V.
 6. FOR DETAILS ABOUT INTERFACE WITH UPS AND OTHER BATTERY CABINETS, PLEASE REFER TO DRAWINGS: G35T10K40H2NB-1MOD-WD, G35T10K40H2NB-2MOD-WD, G35T10K40H2NB-3MOD-WD & G35T15K3140NB-WD.

THIS DRAWING AND SPECIFICATIONS HEREIN ARE THE PROPERTY OF SCHNEIDER ELECTRIC AND SHALL NOT BE COPIED, REPRODUCED OR USED IN WHOLE OR IN PART, AS THE BASIS FOR THE MANUFACTURE OR SALE OF ITEMS WITHOUT WRITTEN PERMISSION FROM SCHNEIDER ELECTRIC. THIS DRAWING IS BASED UPON LATEST AVAILABLE INFORMATION AND IS SUBJECT TO CHANGE WITHOUT NOTICE.



TITLE:
MGE GALAXY 3500
EMPTY FRAME FOR BATTERIES
10-40kVA, 400V
INTERNAL DETAILS

PROJECT: SUBMITTAL DRAWINGS SHEET 4 OF 4

DWG NO:	G35TEFBAT10K40H	REV:	0
DRAWN:	JAYAPRAKASH	08-OCT-09	FIRST ANGLE PROJECTION
ENGINEER:	I.KENNEDY	08-OCT-09	
APPROVED:	C.LARSEN	08-OCT-09	