

Rating	SKU Number	COG Details in mm		
		X-Distance	Y-Distance	Z-Distance
15kVA	G35T15K3I2B4S	250	584	399
	G35T15K3I3B4S	252	572	397
	G35T15K3I4B4S	253	599	397
20kVA	G35T20K3I2B4S	250	584	399
	G35T20K3I3B4S	252	572	397
	G35T20K3I4B4S	253	599	397
30kVA	G35T30K3I3B4S	258	607	394
	G35T30K3I4B4S	258	622	393
40kVA	G35T40K3I4B4S	258	622	393

NOTES:

1. INSTALLATION SHALL COMPLY WITH ALL APPLICABLE NATIONAL AND LOCAL ELECTRICAL REGULATIONS.
2. PLEASE REFER TO PRODUCT MANUALS FOR ADDITIONAL DETAILS.
3. ALL DIMENSIONS ARE IN MILLIMETERS UNLESS OTHERWISE SPECIFIED.
4. CABLE ENTRY IS REAR OF UNIT. SEE UNIT WITH OPTIONAL CONDUIT BOX ON SHEET-2.
5. FRONT AND REAR SERVICE CLEARANCE, TOP COOLING CLEARANCE REQUIRED.
6. USE FLEXIBLE CONDUIT WITH SUFFICIENT LENGTH TO ALLOW THE UNIT TO BE MOVED OUT FOR SERVICE.
7. PLEASE REFER TO SHEET-8 FOR WEIGHT AND RUNTIME DETAILS.
8. COLOR: GREY METALLIC.
9. OPERATING TEMPERATURE: 0°C MIN. TO 40°C MAX.
RECOMMENDED OPERATING RANGE: 15°C TO 25°C.

THIS DRAWING AND SPECIFICATIONS HEREIN ARE THE PROPERTY OF SCHNEIDER ELECTRIC AND SHALL NOT BE COPIED, REPRODUCED OR USED IN WHOLE OR IN PART, AS THE BASIS FOR THE MANUFACTURE OR SALE OF ITEMS WITHOUT WRITTEN PERMISSION FROM SCHNEIDER ELECTRIC. THIS DRAWING IS BASED UPON LATEST AVAILABLE INFORMATION AND IS SUBJECT TO CHANGE WITHOUT NOTICE.

Schneider Electric

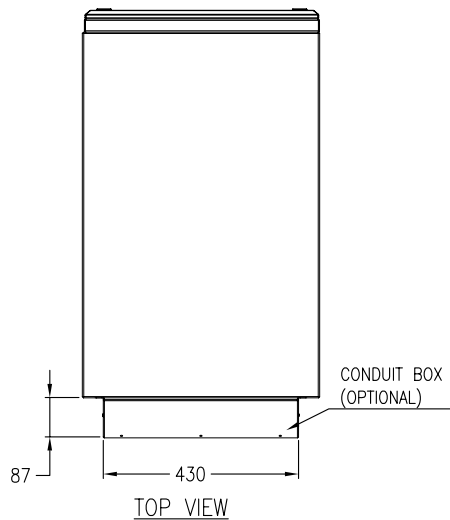
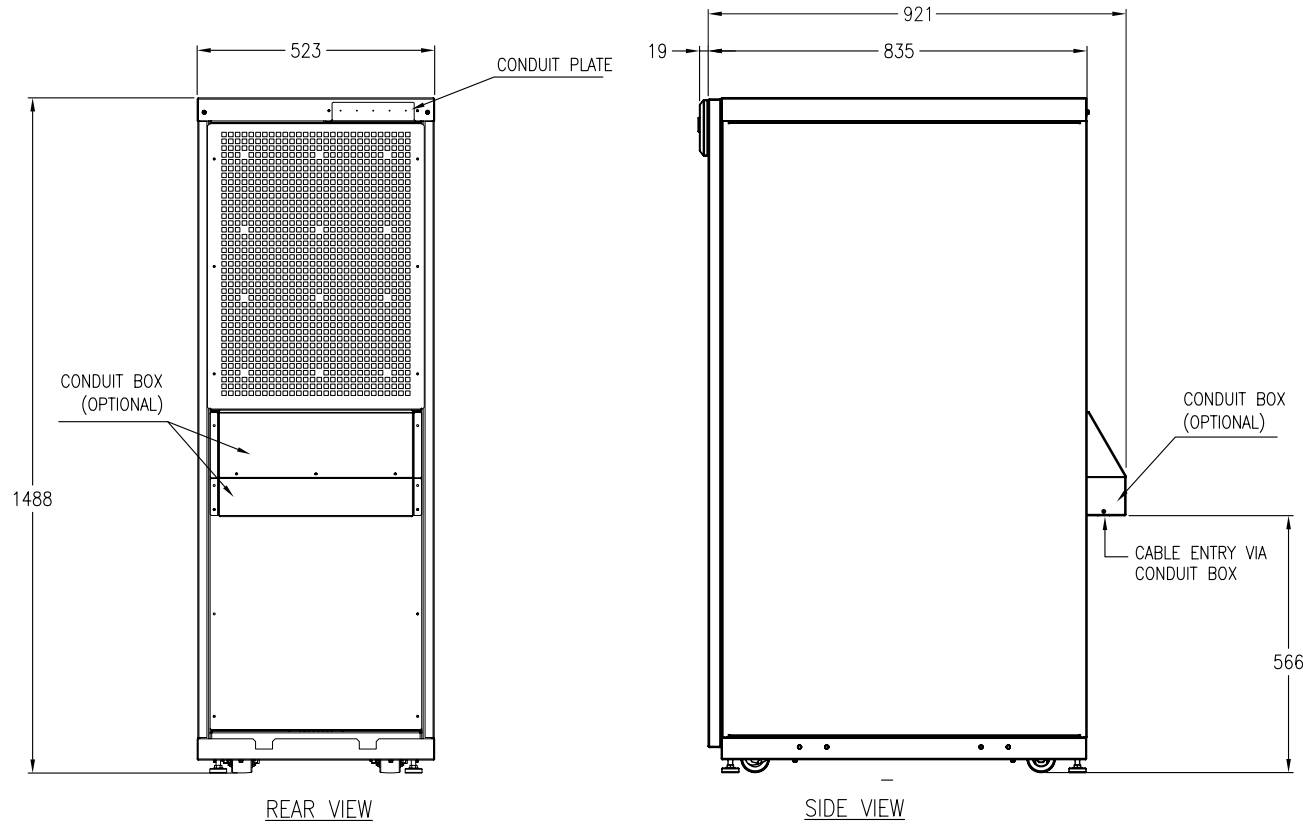
TITLE: MGE GALAXY 3500 WIDE TOWER
INPUT: 3x400/230V, DUAL MAINS
OUTPUT: 230V, 15kVA TO 40kVA
WITH BATTERY MODULES, INT MAINT BYPASS
MAIN MECHANICAL

PROJECT: SUBMITTAL DRAWINGS SHEET 1 OF 8

DWG NO: G35T15K3I4OW

DRAWN: JAYAPRAKASH	15-MAR-11	REV: 1
ENGINEER: T.MULLER	15-MAR-11	FIRST ANGLE PROJECTION
APPROVED: C.LARSEN	15-MAR-11	

UNIT WITH OPTIONAL CONDUIT BOX



NOTES:

1. INSTALLATION SHALL COMPLY WITH ALL APPLICABLE NATIONAL AND LOCAL ELECTRICAL REGULATIONS.
2. PLEASE REFER TO PRODUCT MANUALS FOR ADDITIONAL DETAILS.
3. ALL DIMENSIONS ARE IN MILLIMETERS UNLESS OTHERWISE SPECIFIED.
4. SOME STRUCTURAL DETAILS HAVE BEEN OMITTED FOR THE PURPOSE OF CLARITY.
5. CONDUIT BOX IS NOT PROVIDED WITH THE STANDARD UNIT BUT HAS TO BE ORDERED AS AN OPTION.

THIS DRAWING AND SPECIFICATIONS HEREIN ARE THE PROPERTY OF SCHNEIDER ELECTRIC AND SHALL NOT BE COPIED, REPRODUCED OR USED IN WHOLE OR IN PART, AS THE BASIS FOR THE MANUFACTURE OR SALE OF ITEMS WITHOUT WRITTEN PERMISSION FROM SCHNEIDER ELECTRIC. THIS DRAWING IS BASED UPON LATEST AVAILABLE INFORMATION AND IS SUBJECT TO CHANGE WITHOUT NOTICE.

Schneider Electric

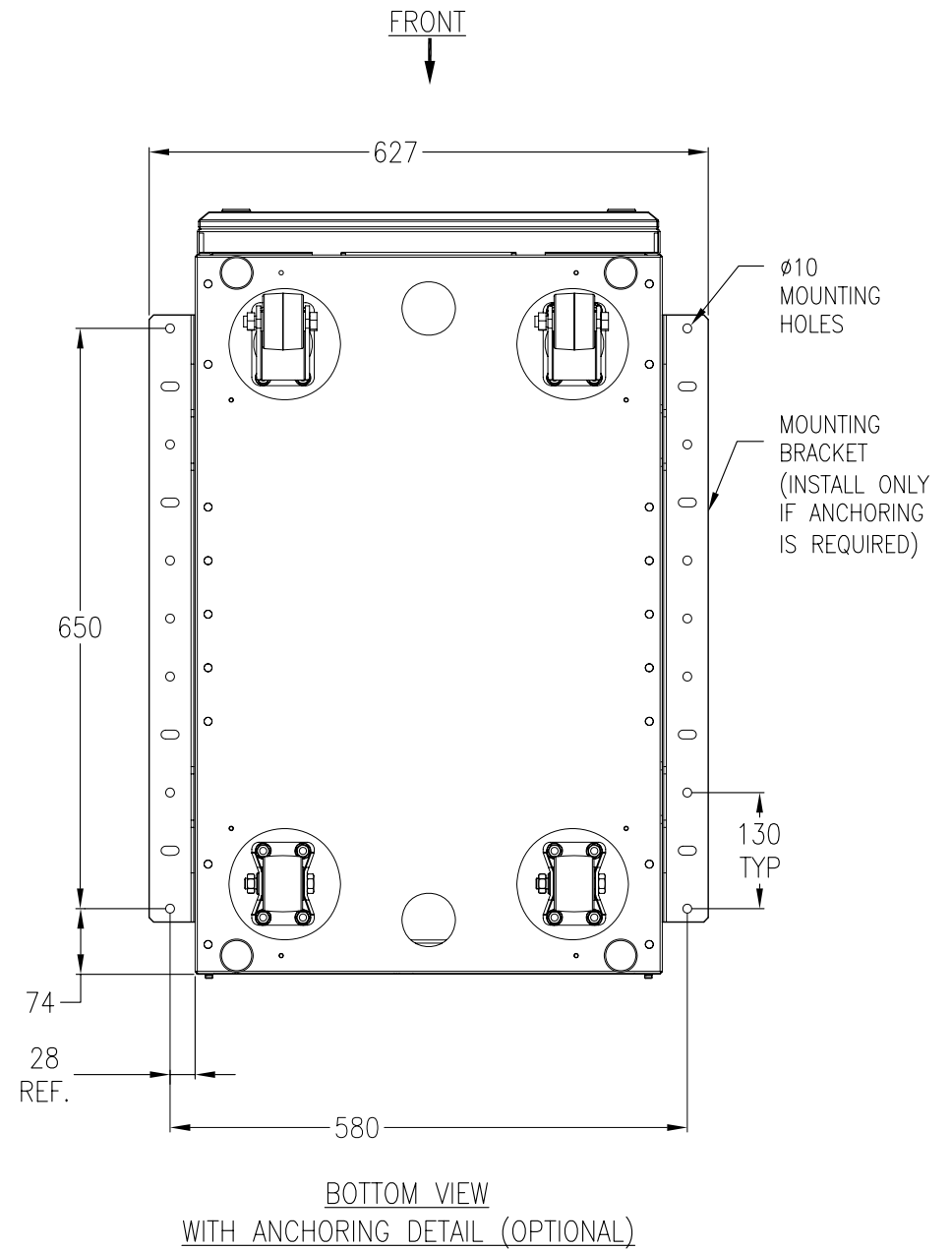
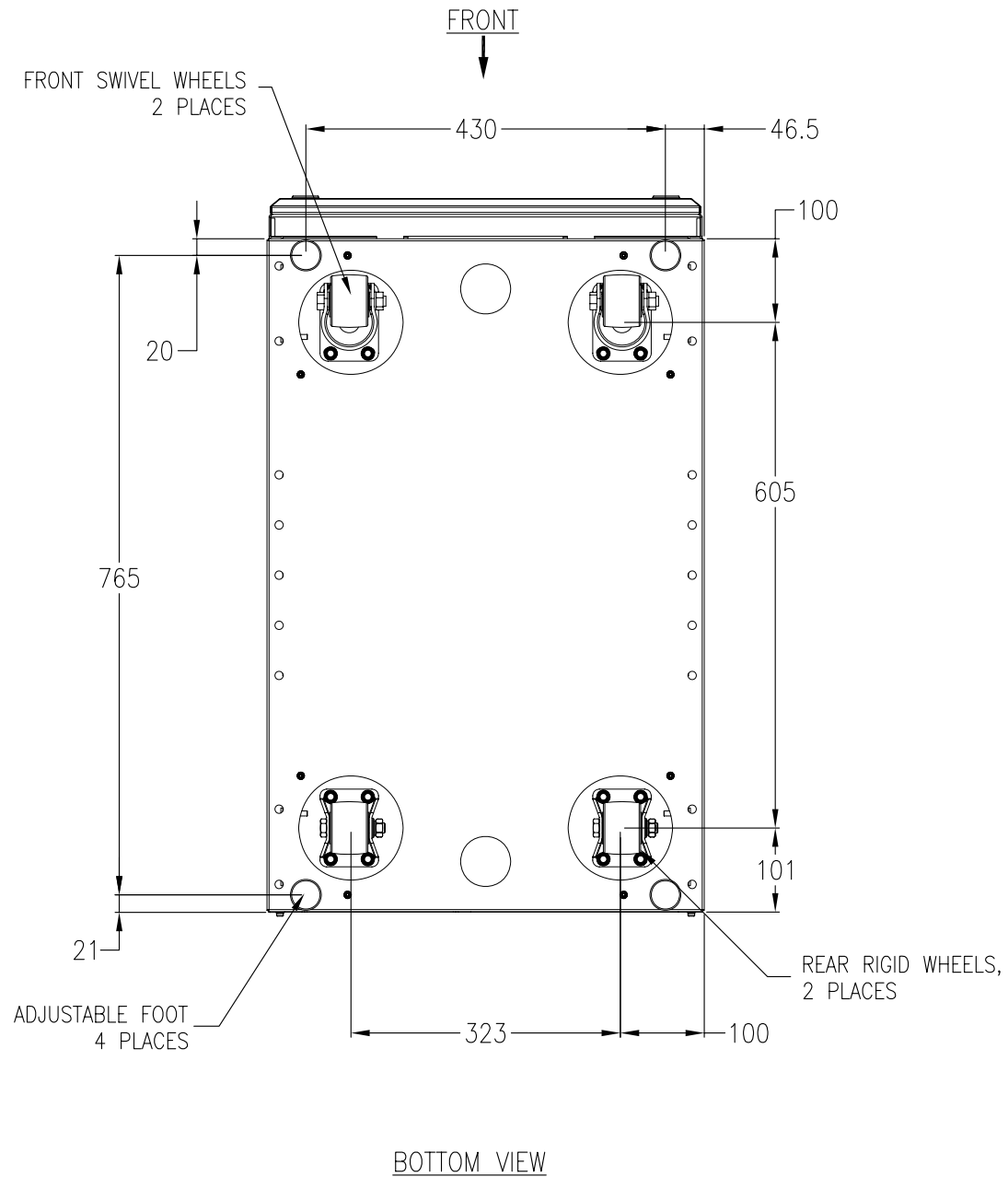
TITLE: MGE GALAXY 3500 WIDE TOWER
 INPUT: 3x400/230V, DUAL MAINS
 OUTPUT: 230V, 15kVA TO 40kVA
 WITH BATTERY MODULES, INT MAINT BYPASS
 CONDUIT BOX OPTION

PROJECT: SUBMITTAL DRAWINGS SHEET 2 OF 8

DWG NO: G35T15K3140W

DRAWN: JAYAPRAKASH 15-MAR-11
 ENGINEER: T.MULLER 15-MAR-11
 APPROVED: C.LARSEN 15-MAR-11

REV: 1
 FIRST ANGLE PROJECTION



NOTES:

1. INSTALLATION SHALL COMPLY WITH ALL APPLICABLE NATIONAL AND LOCAL ELECTRICAL REGULATIONS.
2. PLEASE REFER TO PRODUCT MANUALS FOR ADDITIONAL DETAILS.
3. ALL DIMENSIONS ARE IN MILLIMETERS UNLESS OTHERWISE SPECIFIED.

THIS DRAWING AND SPECIFICATIONS HEREIN ARE THE PROPERTY OF SCHNEIDER ELECTRIC AND SHALL NOT BE COPIED, REPRODUCED OR USED IN WHOLE OR IN PART, AS THE BASIS FOR THE MANUFACTURE OR SALE OF ITEMS WITHOUT WRITTEN PERMISSION FROM SCHNEIDER ELECTRIC. THIS DRAWING IS BASED UPON LATEST AVAILABLE INFORMATION AND IS SUBJECT TO CHANGE WITHOUT NOTICE.

Schneider Electric

TITLE: MGE GALAXY 3500 WIDE TOWER
INPUT: 3x400/230V, DUAL MAINS
OUTPUT: 230V, 15kVA TO 40kVA
WITH BATTERY MODULES, INT MAINT BYPASS
BOTTOM VIEWS

PROJECT: SUBMITTAL DRAWINGS SHEET 3 OF 8

DWG NO: G35T15K3140W

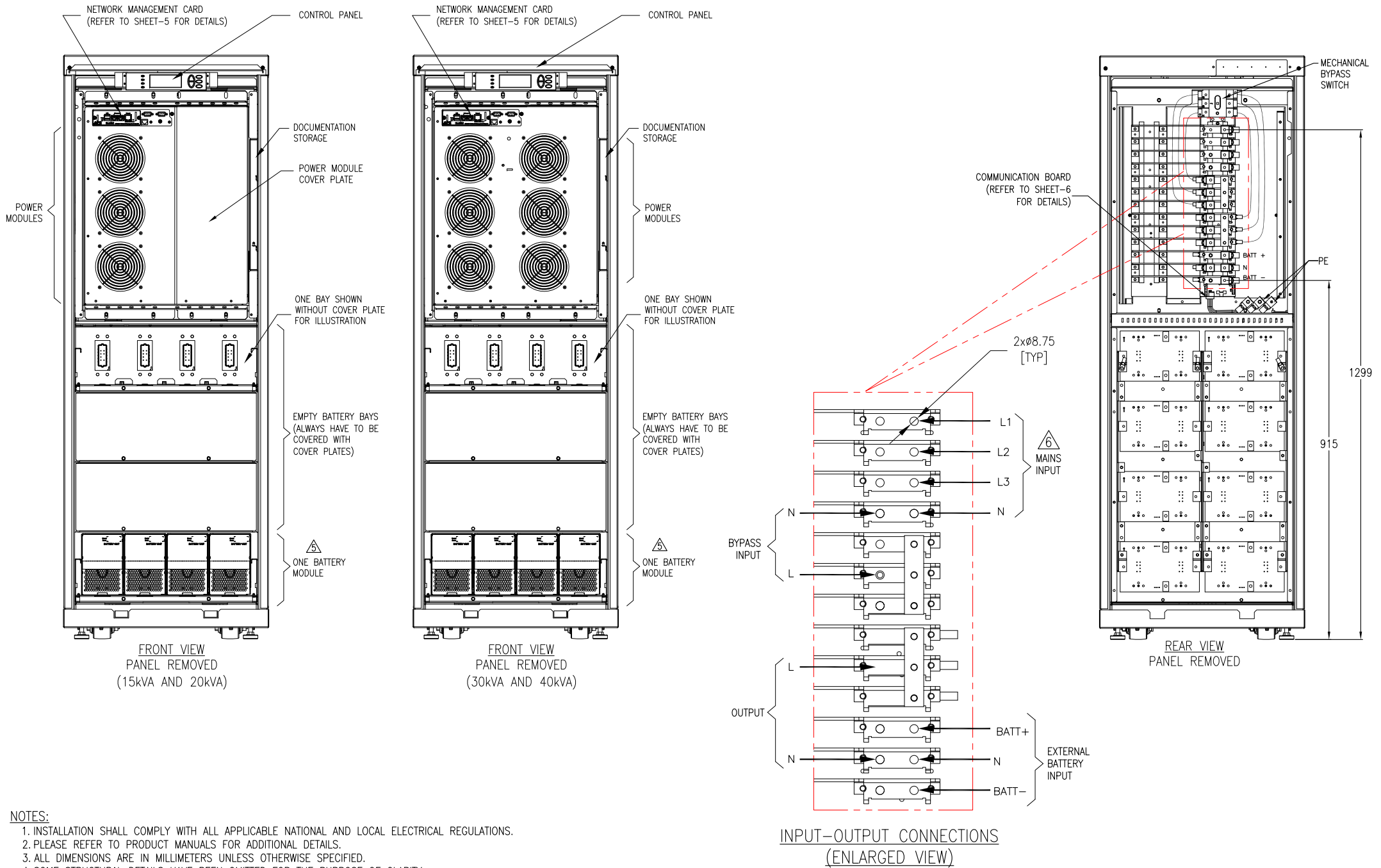
DRAWN: JAYAPRAKASH 29-JUN-09

ENGINEER: I.KENNEDY 30-JUN-09

APPROVED: C.LARSEN 30-JUN-09

REV: 0

FIRST ANGLE PROJECTION



NOTES:

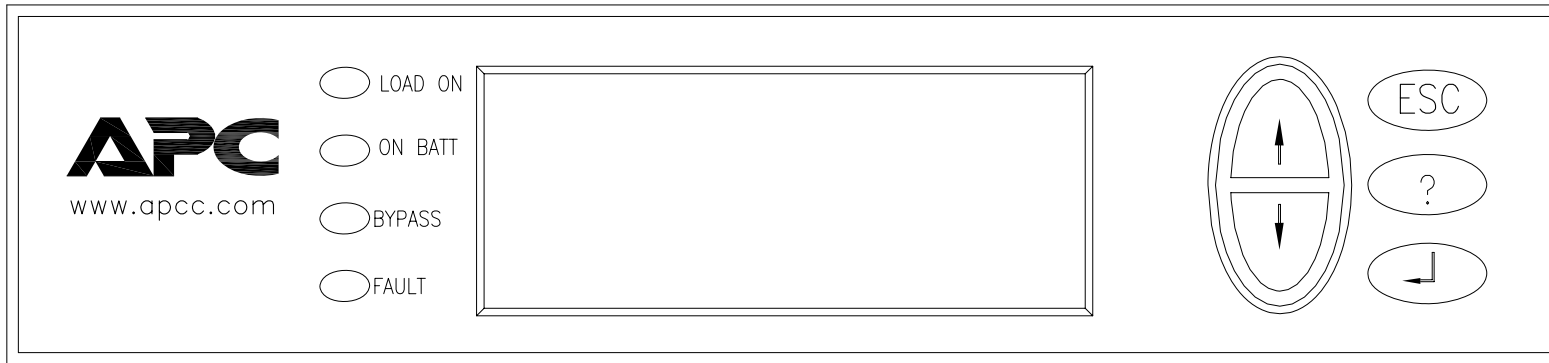
1. INSTALLATION SHALL COMPLY WITH ALL APPLICABLE NATIONAL AND LOCAL ELECTRICAL REGULATIONS.
2. PLEASE REFER TO PRODUCT MANUALS FOR ADDITIONAL DETAILS.
3. ALL DIMENSIONS ARE IN MILLIMETERS UNLESS OTHERWISE SPECIFIED.
4. SOME STRUCTURAL DETAILS HAVE BEEN OMITTED FOR THE PURPOSE OF CLARITY.
- △ 5. THIS DRAWING REPRESENTS THE SKU WITH ONE BATTERY MODULE.
PLEASE REFER TO SHEET-8 FOR DETAILS ABOUT ADDITIONAL BATTERY MODULES.
- △ 6. THE MAINS INPUT NEUTRAL SHOULD BE FED ONLY FOR SINGLE MAINS CONFIGURATION.
FOR DUAL MAINS CONFIGURATION THE MAINS INPUT NEUTRAL SHOULD NOT BE FED.

THIS DRAWING AND SPECIFICATIONS HEREIN ARE THE PROPERTY OF SCHNEIDER ELECTRIC AND SHALL NOT BE COPIED, REPRODUCED OR USED IN WHOLE OR IN PART, AS THE BASIS FOR THE MANUFACTURE OR SALE OF ITEMS WITHOUT WRITTEN PERMISSION FROM SCHNEIDER ELECTRIC. THIS DRAWING IS BASED UPON LATEST AVAILABLE INFORMATION AND IS SUBJECT TO CHANGE WITHOUT NOTICE.

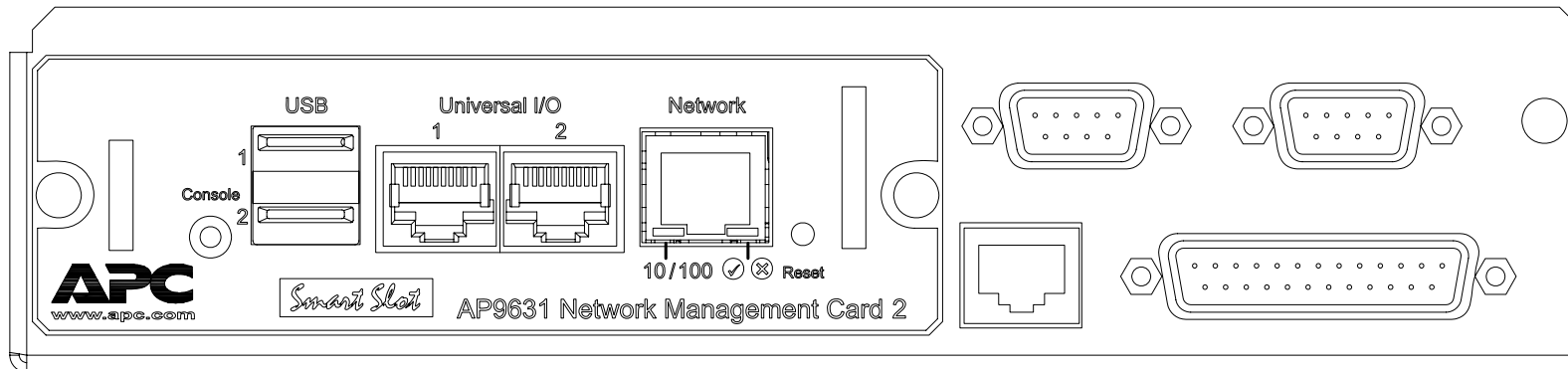


TITLE: MGE GALAXY 3500 WIDE TOWER
 INPUT: 3x400/230V, DUAL MAINS
 OUTPUT: 230V, 15kVA TO 40kVA
 WITH BATTERY MODULES, INT MAINT BYPASS
 INPUT-OUTPUT DETAILS

DWG NO:	G35T15K3140W	REV:	2
DRAWN:	JAYAPRAKASH	08-DEC-15	FIRST ANGLE PROJECTION
ENGINEER:	T.MULLER	08-DEC-15	
APPROVED:	ANDERSEN/E.SILVA	08-DEC-15	



CONTROL PANEL



NETWORK MANAGEMENT CARD

NOTES:

1. INSTALLATION SHALL COMPLY WITH ALL APPLICABLE NATIONAL AND LOCAL ELECTRICAL REGULATIONS.
2. PLEASE REFER TO PRODUCT MANUALS FOR ADDITIONAL DETAILS.

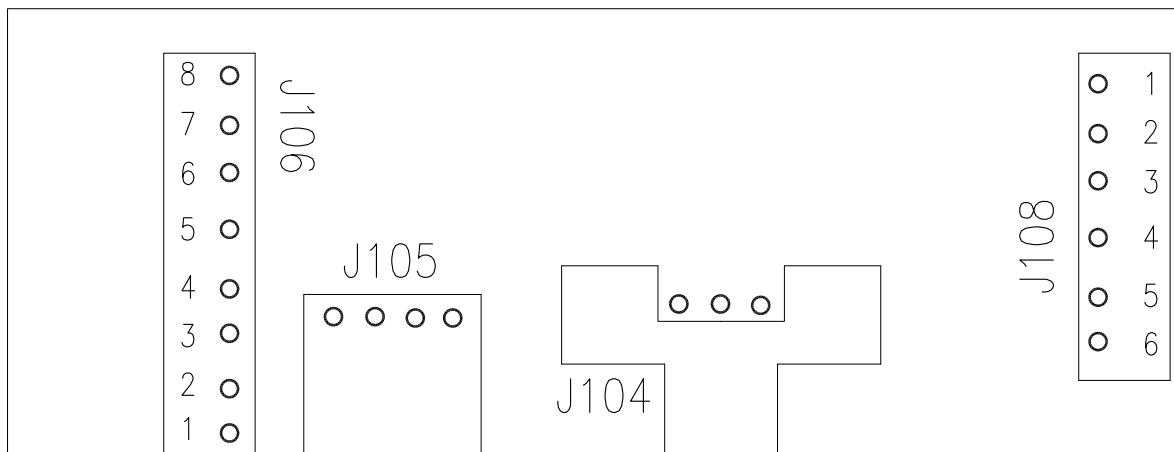
THIS DRAWING AND SPECIFICATIONS HEREIN ARE THE PROPERTY OF SCHNEIDER ELECTRIC AND SHALL NOT BE COPIED, REPRODUCED OR USED IN WHOLE OR IN PART, AS THE BASIS FOR THE MANUFACTURE OR SALE OF ITEMS WITHOUT WRITTEN PERMISSION FROM SCHNEIDER ELECTRIC. THIS DRAWING IS BASED UPON LATEST AVAILABLE INFORMATION AND IS SUBJECT TO CHANGE WITHOUT NOTICE.



TITLE: MGE GALAXY 3500 WIDE TOWER
 INPUT: 3x400/230V, DUAL MAINS
 OUTPUT: 230V, 15kVA TO 40kVA
 WITH BATTERY MODULES, INT MAINT BYPASS
 CONTROL PANEL, NMC
 PROJECT: SUBMITTAL DRAWINGS SHEET 5 OF 8

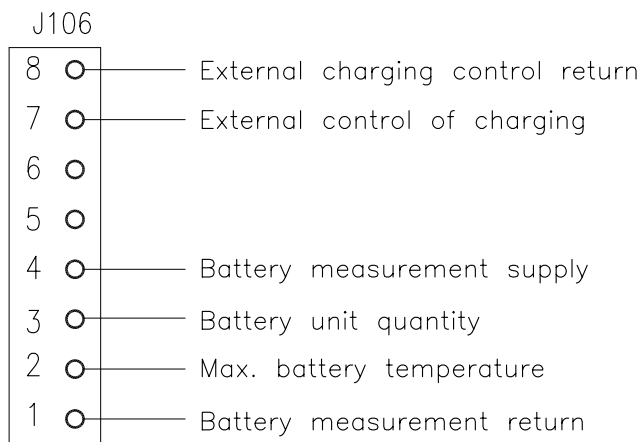
DWG NO: G35T15K3140W
 DRAWN: JAYAPRAKASH 29-JUN-09
 ENGINEER: I.KENNEDY 30-JUN-09
 APPROVED: C.LARSEN 30-JUN-09

REV: 0
 FIRST ANGLE PROJECTION

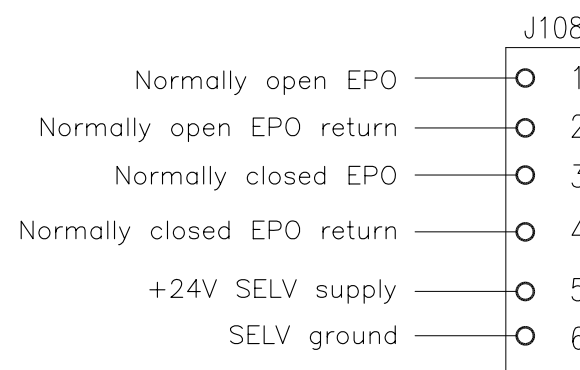


COMMUNICATION BOARD

J106 PIN CONNECTIONS



J108 PIN CONNECTIONS



NOTES:

1. INSTALLATION SHALL COMPLY WITH ALL APPLICABLE NATIONAL AND LOCAL ELECTRICAL REGULATIONS.
2. PLEASE REFER TO PRODUCT MANUALS FOR ADDITIONAL DETAILS.

THIS DRAWING AND SPECIFICATIONS HEREIN ARE THE PROPERTY OF SCHNEIDER ELECTRIC AND SHALL NOT BE COPIED, REPRODUCED OR USED IN WHOLE OR IN PART, AS THE BASIS FOR THE MANUFACTURE OR SALE OF ITEMS WITHOUT WRITTEN PERMISSION FROM SCHNEIDER ELECTRIC. THIS DRAWING IS BASED UPON LATEST AVAILABLE INFORMATION AND IS SUBJECT TO CHANGE WITHOUT NOTICE.



TITLE: MGE GALAXY 3500 WIDE TOWER
 INPUT: 3x400/230V, DUAL MAINS
 OUTPUT: 230V, 15kVA TO 40kVA
 WITH BATTERY MODULES, INT. MAINT BYPASS
 COMMUNICATION BOARD
 PROJECT: SUBMITTAL DRAWINGS SHEET 6 OF 8

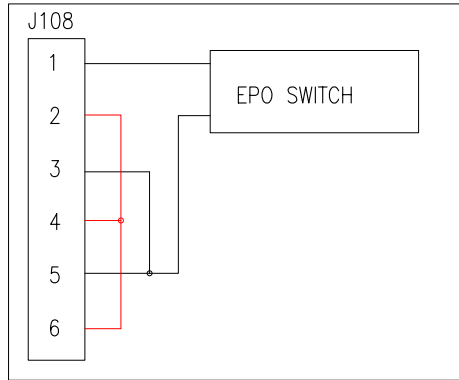
DWG NO: G35T15K3140W
 DRAWN: JAYAPRAKASH 01-JUL-09
 ENGINEER: I.KENNEDY 01-JUL-09
 APPROVED: C.LARSEN 01-JUL-09

REV: 0
 FIRST ANGLE PROJECTION

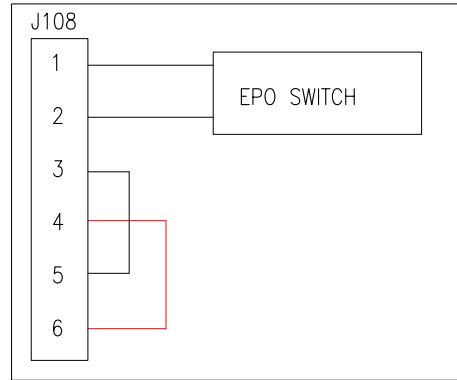
EPO WIRING OPTIONS (J108)

CONNECT THE EPO CABLE, USING ONE OF THE FOLLOWING 4 WIRING CONFIGURATIONS.

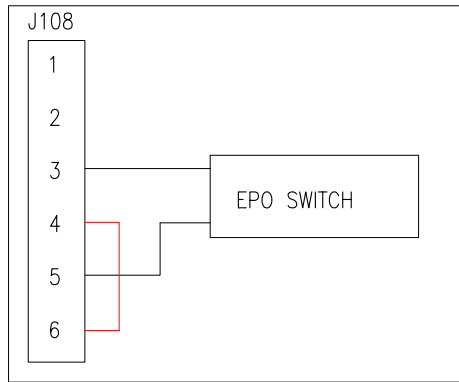
1: DRY CONTACTS NORMALLY OPEN



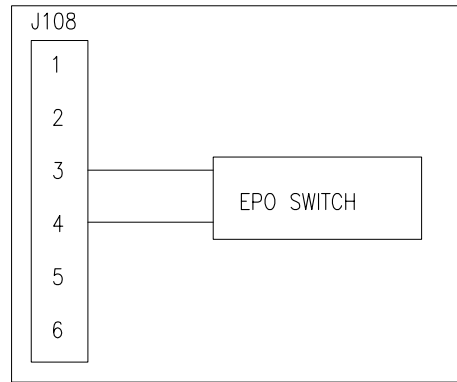
2: +24V NORMALLY OPEN



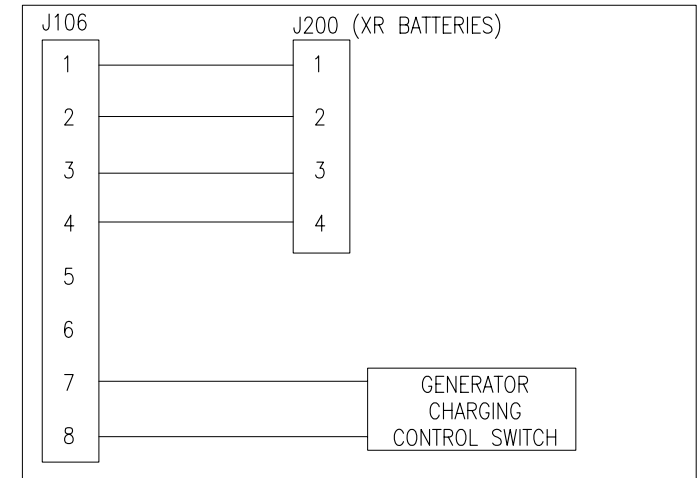
3: DRY CONTACTS NORMALLY CLOSED



4: +24V NORMALLY CLOSED



XR ENCLOSURE, APC SBP, AND GENERATOR CONTROL WIRING (J106)



NOTES:

1. INSTALLATION SHALL COMPLY WITH ALL APPLICABLE NATIONAL AND LOCAL ELECTRICAL REGULATIONS.
2. PLEASE REFER TO PRODUCT MANUALS FOR ADDITIONAL DETAILS.
3. FOR COMMUNICATION CABLES USE ONLY 1-1.5 SQ mm COPPER WIRE RATED MINIMUM 250V.
4. PLEASE REFER TO DRAWING NUMBER: G35T15K3140-WD, FOR SYSTEM CONTROL CONNECTIONS.

THIS DRAWING AND SPECIFICATIONS HEREIN ARE THE PROPERTY OF SCHNEIDER ELECTRIC AND SHALL NOT BE COPIED, REPRODUCED OR USED IN WHOLE OR IN PART, AS THE BASIS FOR THE MANUFACTURE OR SALE OF ITEMS WITHOUT WRITTEN PERMISSION FROM SCHNEIDER ELECTRIC. THIS DRAWING IS BASED UPON LATEST AVAILABLE INFORMATION AND IS SUBJECT TO CHANGE WITHOUT NOTICE.



TITLE: MGE GALAXY 3500 WIDE TOWER
INPUT: 3x400/230V, DUAL MAINS
OUTPUT: 230V, 15kVA TO 40kVA
WITH BATTERY MODULES, INT MAINT BYPASS
EPO CIRCUITS

DWG NO: G35T15K3140W
DRAWN: JAYAPRAKASH 01-JUL-09
ENGINEER: I.KENNEDY 01-JUL-09
APPROVED: C.LARSEN 01-JUL-09

REV: 0
FIRST ANGLE PROJECTION

PROJECT: SUBMITTAL DRAWINGS SHEET 7 OF 8

WEIGHT AND RUNTIME DETAILS

Battery Modules in UPS (SYBT4)		Total No. of battery modules	15kVA						20kVA						30kVA				40kVA	
			G35T15K312B4S		G35T15K313B4S		G35T15K314B4S		G35T20K312B4S		G35T20K313B4S		G35T20K314B4S		G35T30K313B4S		G35T30K314B4S		G35T40K314B4S	
			Net Weight in kg	Runtime in Min	Net Weight in kg	Runtime in Min	Net Weight in kg	Runtime in Min	Net Weight in kg	Runtime in Min	Net Weight in kg	Runtime in Min	Net Weight in kg	Runtime in Min	Net Weight in kg	Runtime in Min	Net Weight in kg	Runtime in Min	Net Weight in kg	Runtime in Min
1	1																			
2	2	472	10					472	6											
3	3	564	18	564	18			564	12	564	12			564	6					
4	4	656	27	656	27	656	27	656	18	656	18	656	18	656	10	656	10	656	6	

FOR RUNTIME DETAILS WITH XR BATTERY CABINETS, PLEASE REFER TO SOLUTION DRAWING: G35T15K3140WB4.

NOTES:

1. INSTALLATION SHALL COMPLY WITH ALL APPLICABLE NATIONAL AND LOCAL ELECTRICAL REGULATIONS.
2. PLEASE REFER TO PRODUCT MANUALS FOR ADDITIONAL DETAILS.

THIS DRAWING AND SPECIFICATIONS HEREIN ARE THE PROPERTY OF SCHNEIDER ELECTRIC AND SHALL NOT BE COPIED, REPRODUCED OR USED IN WHOLE OR IN PART, AS THE BASIS FOR THE MANUFACTURE OR SALE OF ITEMS WITHOUT WRITTEN PERMISSION FROM SCHNEIDER ELECTRIC. THIS DRAWING IS BASED UPON LATEST AVAILABLE INFORMATION AND IS SUBJECT TO CHANGE WITHOUT NOTICE.



TITLE: MGE GALAXY 3500 WIDE TOWER
 INPUT: 3x400/230V, DUAL MAINS
 OUTPUT: 230V, 15kVA TO 40kVA
 WITH BATTERY MODULES, INT MAINT BYPASS
 WEIGHT AND RUNTIME DETAILS

DWG NO: G35T15K3140W
 DRAWN: JAYAPRAKASH 29-JUN-09
 ENGINEER: I.KENNEDY 30-JUN-09
 APPROVED: C.LARSEN 30-JUN-09

REV: 0
 FIRST ANGLE PROJECTION