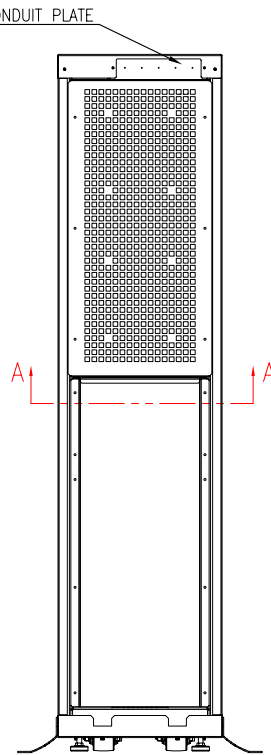
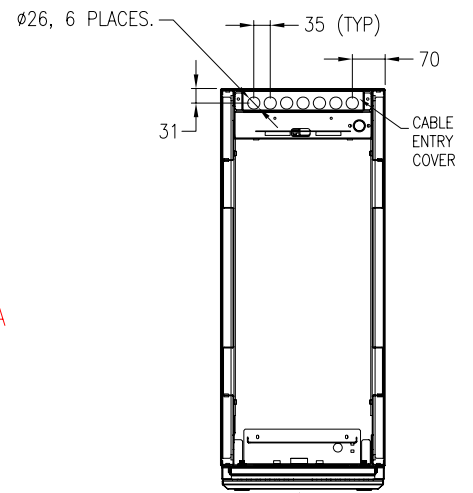


FRONT VIEW

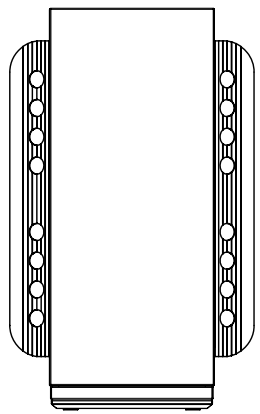
SIDE VIEW



REAR VIEW



SECTION - AA



TOP VIEW

Rating	SKU Number	COG Details in mm		
		X-Distance	Y-Distance	Z-Distance
10kVA	G35T10KH1B2S	176	655	400
	G35T10KH2B2S	176	650	398
15kVA	G35T15KH2B2S	176	650	398
20kVA	G35T20KH2B2S	176	650	398

NOTES:

1. INSTALLATION SHALL COMPLY WITH ALL APPLICABLE NATIONAL AND LOCAL ELECTRICAL REGULATIONS.
2. PLEASE REFER TO PRODUCT MANUALS FOR ADDITIONAL DETAILS.
3. ALL DIMENSIONS ARE IN MILLIMETERS UNLESS OTHERWISE SPECIFIED.
4. CABLE ENTRY IS REAR OF UNIT. SEE UNIT WITH OPTIONAL CONDUIT BOX ON SHEET-2.
5. FRONT AND REAR SERVICE CLEARANCE, TOP COOLING CLEARANCE REQUIRED.
- △ 6. USE FLEXIBLE CONDUIT WITH SUFFICIENT LENGTH TO ALLOW THE UNIT TO BE MOVED OUT FOR SERVICE.
- △ 7. ENCLOSURE STABILIZING BRACKET MUST BE INSTALLED TO ENHANCE STABILITY.
8. PLEASE REFER TO SHEET-8 FOR WEIGHT AND RUNTIME DETAILS.
9. COLOR: GREY METALLIC.
10. OPERATING TEMPERATURE: 0°C MIN. TO 40°C MAX.  
RECOMMENDED OPERATING RANGE: 15°C TO 25°C.

THIS DRAWING AND SPECIFICATIONS HEREIN ARE THE PROPERTY OF SCHNEIDER ELECTRIC AND SHALL NOT BE COPIED, REPRODUCED OR USED IN WHOLE OR IN PART, AS THE BASIS FOR THE MANUFACTURE OR SALE OF ITEMS WITHOUT WRITTEN PERMISSION FROM SCHNEIDER ELECTRIC. THIS DRAWING IS BASED UPON LATEST AVAILABLE INFORMATION AND IS SUBJECT TO CHANGE WITHOUT NOTICE.

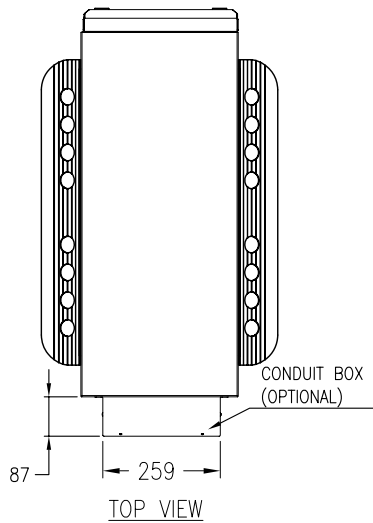
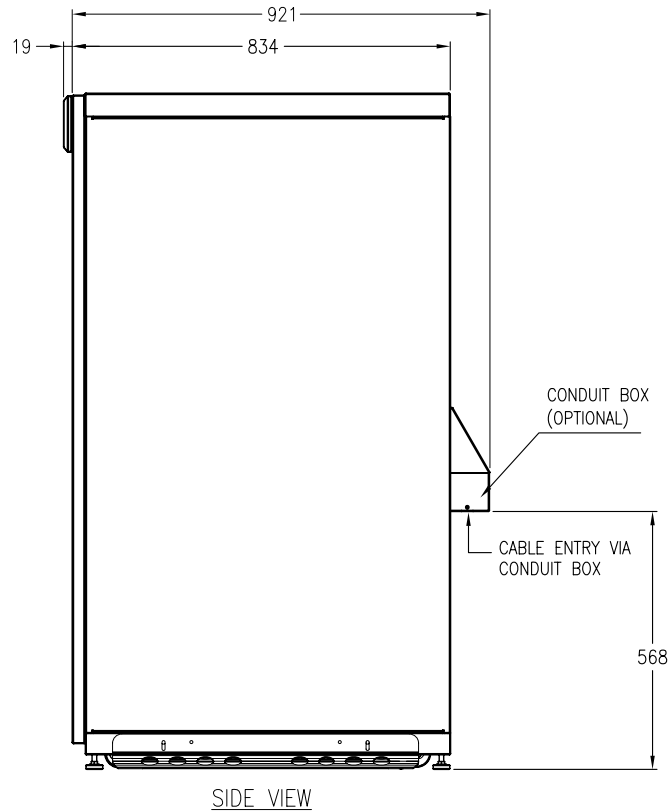
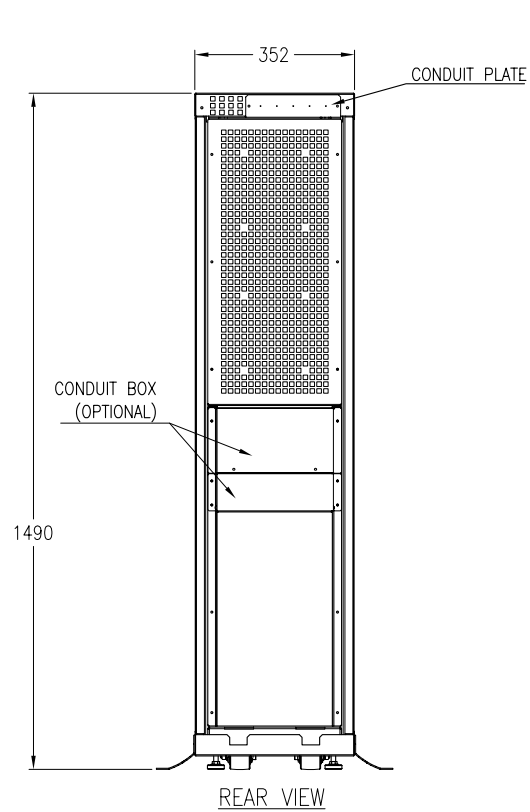


TITLE: MGE GALAXY 3500 NARROW TOWER  
10 TO 20kVA, 400V, 3PH  
WITH BATTERY MODULES, INT MAINT BYPASS  
MAIN MECHANICAL  
PROJECT: SUBMITTAL DRAWINGS SHEET 1 OF 8

DWG NO: G35T10K20HN  
DRAWN: JAYAPRAKASH  
ENGINEER: T.MULLER  
APPROVED: C.LARSEN

REV: 1  
FIRST ANGLE PROJECTION  
15-MAR-11  
15-MAR-11  
15-MAR-11

# UNIT WITH OPTIONAL CONDUIT BOX



## NOTES:

1. INSTALLATION SHALL COMPLY WITH ALL APPLICABLE NATIONAL AND LOCAL ELECTRICAL REGULATIONS.
2. PLEASE REFER TO PRODUCT MANUALS FOR ADDITIONAL DETAILS.
3. ALL DIMENSIONS ARE IN MILLIMETERS UNLESS OTHERWISE SPECIFIED.
4. SOME STRUCTURAL DETAILS HAVE BEEN OMITTED FOR THE PURPOSE OF CLARITY.
5. CONDUIT BOX IS NOT PROVIDED WITH THE STANDARD UNIT BUT HAS TO BE ORDERED AS AN OPTION.

THIS DRAWING AND SPECIFICATIONS HEREIN ARE THE PROPERTY OF SCHNEIDER ELECTRIC AND SHALL NOT BE COPIED, REPRODUCED OR USED IN WHOLE OR IN PART, AS THE BASIS FOR THE MANUFACTURE OR SALE OF ITEMS WITHOUT WRITTEN PERMISSION FROM SCHNEIDER ELECTRIC. THIS DRAWING IS BASED UPON LATEST AVAILABLE INFORMATION AND IS SUBJECT TO CHANGE WITHOUT NOTICE.



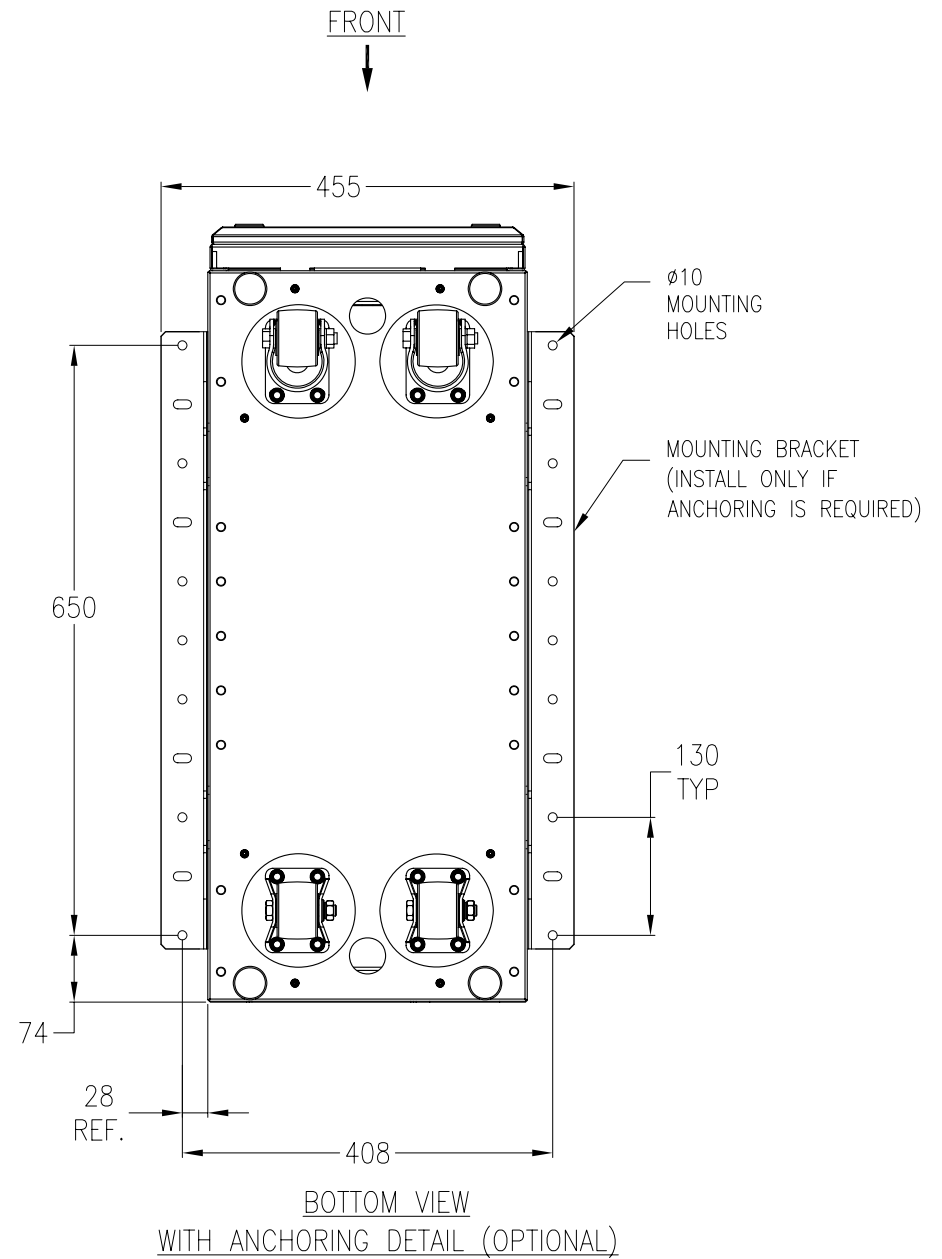
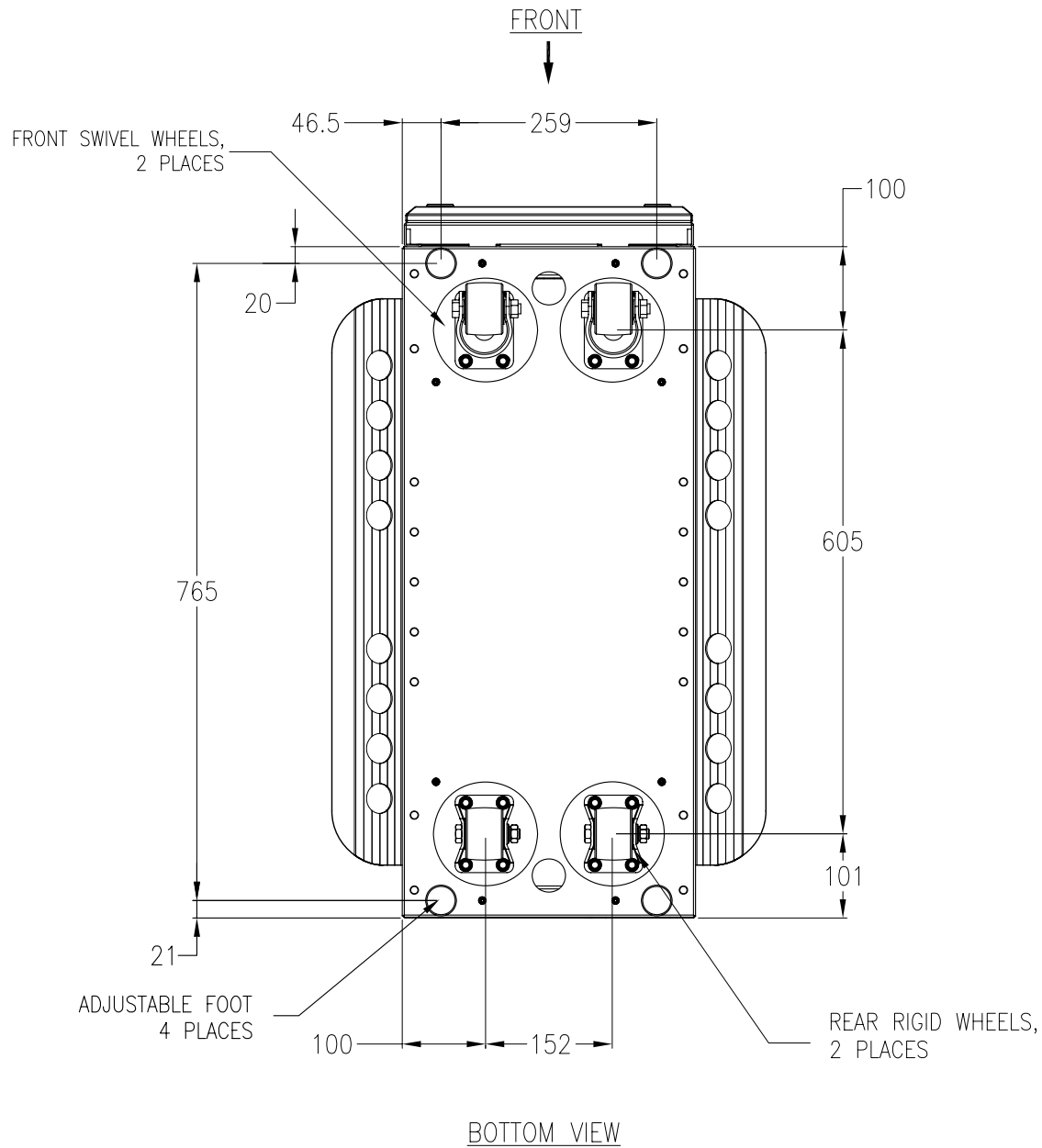
TITLE:  
MGE GALAXY 3500 NARROW TOWER  
10 TO 20KVA, 400V, 3PH  
WITH BATTERY MODULES, INT MAINT BYPASS  
CONDUIT BOX OPTION

PROJECT: SUBMITTAL DRAWINGS SHEET 2 OF 8

DWG NO: G35T10K20HN

DRAWN: JAYAPRAKASH 15-MAR-11  
ENGINEER: T.MULLER 15-MAR-11  
APPROVED: C.LARSEN 15-MAR-11

REV. 1  
FIRST ANGLE PROJECTION



NOTES:

1. INSTALLATION SHALL COMPLY WITH ALL APPLICABLE NATIONAL AND LOCAL ELECTRICAL REGULATIONS.
2. PLEASE REFER TO PRODUCT MANUALS FOR ADDITIONAL DETAILS.
3. ALL DIMENSIONS ARE IN MILLIMETERS UNLESS OTHERWISE SPECIFIED.

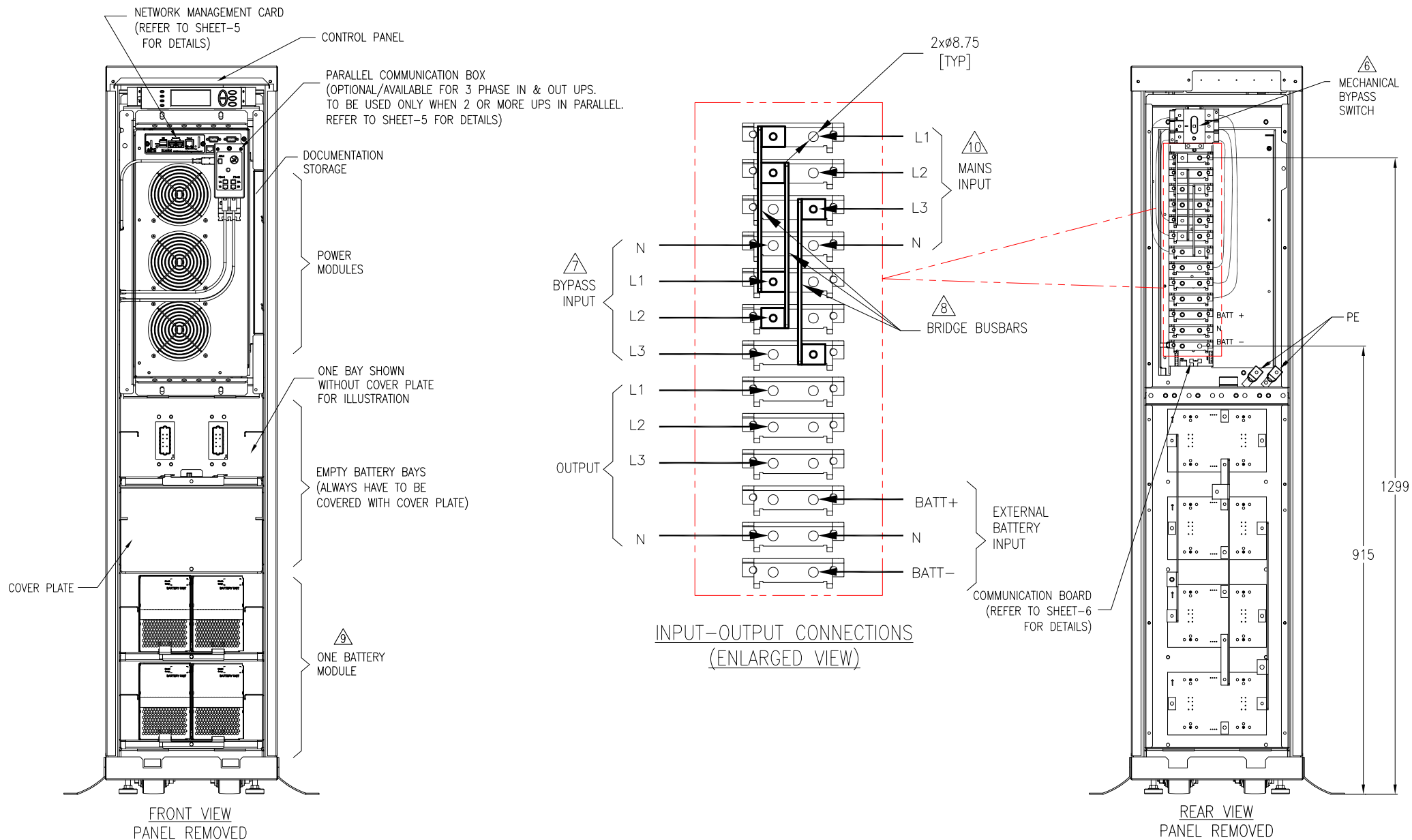
THIS DRAWING AND SPECIFICATIONS HEREIN ARE THE PROPERTY OF SCHNEIDER ELECTRIC AND SHALL NOT BE COPIED, REPRODUCED OR USED IN WHOLE OR IN PART, AS THE BASIS FOR THE MANUFACTURE OR SALE OF ITEMS WITHOUT WRITTEN PERMISSION FROM SCHNEIDER ELECTRIC. THIS DRAWING IS BASED UPON LATEST AVAILABLE INFORMATION AND IS SUBJECT TO CHANGE WITHOUT NOTICE.

**Schneider Electric**

TITLE:  
MGE GALAXY 3500 NARROW TOWER  
10 TO 20KVA, 400V, 3PH  
WITH BATTERY MODULES, INT MAINT BYPASS  
BOTTOM VIEWS  
PROJECT: SUBMITTAL DRAWINGS SHEET 3 OF 8

DWG NO: G35T10K20HN  
DRAWN: JAYAPRAKASH 29-JUN-09  
ENGINEER: I.KENNEDY 30-JUN-09  
APPROVED: C.LARSEN 30-JUN-09

REV: 0  
FIRST ANGLE PROJECTION



**NOTES:**

1. INSTALLATION SHALL COMPLY WITH ALL APPLICABLE NATIONAL AND LOCAL ELECTRICAL REGULATIONS.
2. PLEASE REFER TO PRODUCT MANUALS FOR ADDITIONAL DETAILS.
3. ALL DIMENSIONS ARE IN MILLIMETERS UNLESS OTHERWISE SPECIFIED.
4. SOME STRUCTURAL DETAILS HAVE BEEN OMITTED FOR THE PURPOSE OF CLARITY.
5. GALAXY 3500 UPS IS DESIGNED FOR SINGLE AND DUAL MAINS. SINGLE MAINS INSTALLATION IS A DEFAULT.
- △ 6. THE MECHANICAL BYPASS SWITCH MUST BE REMOVED WHEN THE UPS IS TO RUN IN PARALLEL.
- △ 7. FOR DUAL MAINS ONLY.
- △ 8. TO BE REMOVED FOR DUAL MAINS INSTALLATION.
- △ 9. THIS DRAWING REPRESENTS THE SKU WITH ONE BATTERY MODULE.  
PLEASE REFER TO SHEET-8 FOR DETAILS ABOUT ADDITIONAL BATTERY MODULES.
- △ 10. THE MAINS INPUT NEUTRAL SHOULD BE FED ONLY FOR SINGLE MAINS CONFIGURATION.  
FOR DUAL MAINS CONFIGURATION THE MAINS INPUT NEUTRAL SHOULD NOT BE FED.

THIS DRAWING AND SPECIFICATIONS HEREIN ARE THE PROPERTY OF SCHNEIDER ELECTRIC AND SHALL NOT BE COPIED, REPRODUCED OR USED IN WHOLE OR IN PART, AS THE BASIS FOR THE MANUFACTURE OR SALE OF ITEMS WITHOUT WRITTEN PERMISSION FROM SCHNEIDER ELECTRIC. THIS DRAWING IS BASED UPON LATEST AVAILABLE INFORMATION AND IS SUBJECT TO CHANGE WITHOUT NOTICE.



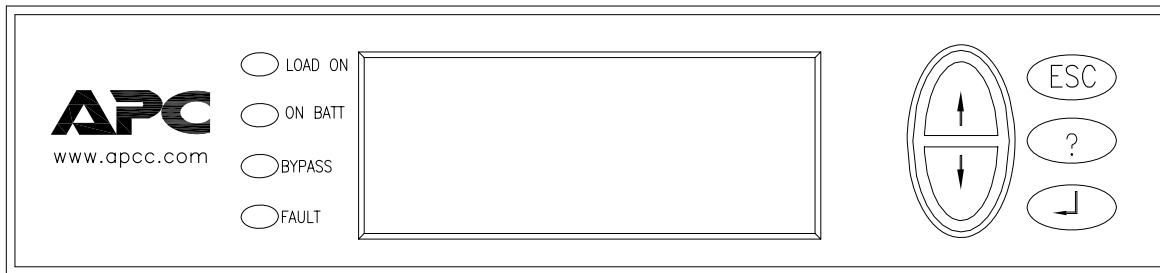
TITLE:  
MGE GALAXY 3500 NARROW TOWER  
10 TO 20kVA, 400V, 3PH  
WITH BATTERY MODULES, INT MAINT BYPASS  
INPUT-OUTPUT DETAILS

PROJECT: SUBMITTAL DRAWINGS SHEET 4 OF 8

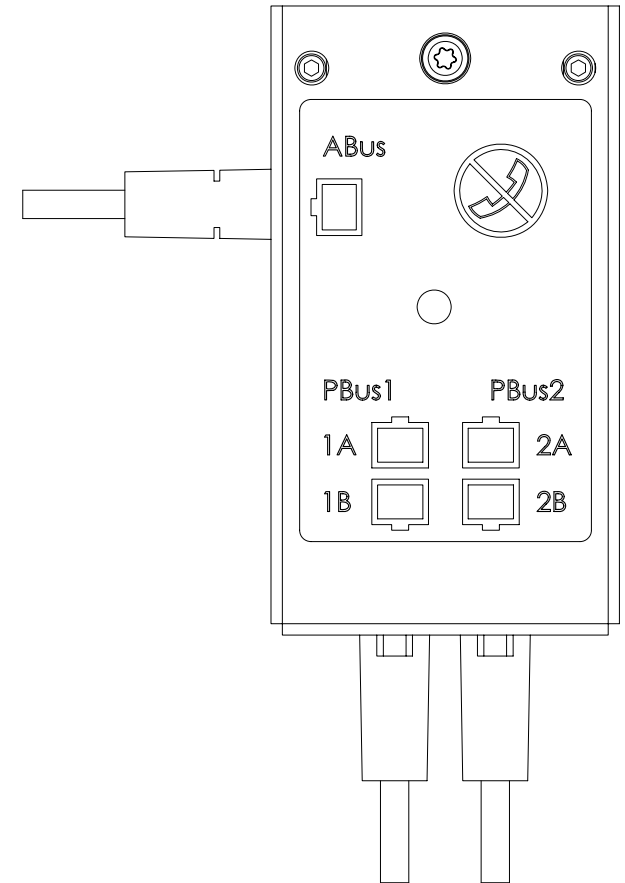
DWG NO: G35T10K20HN

REV: 2

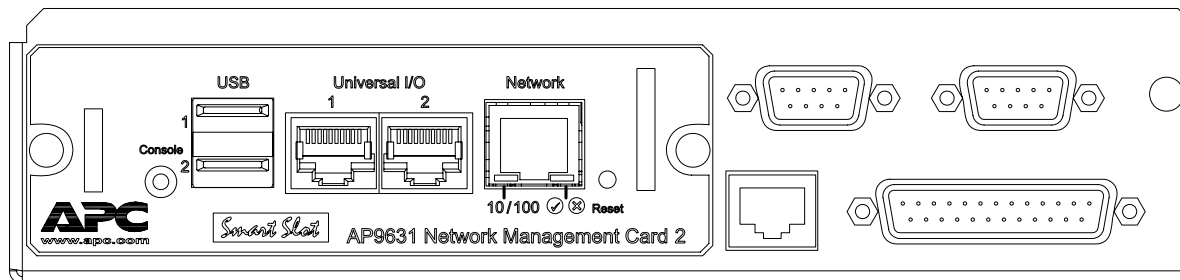
DRAWN: JAYAPRAKASH	08-DEC-15	FIRST ANGLE PROJECTION
ENGINEER: T.MULLER	08-DEC-15	
APPROVED: ANDERSEN/E.SILVA	08-DEC-15	



CONTROL PANEL



PARALLEL COMMUNICATION BOX  
SKU NUMBER: SUVTOPT009  
(OPTIONAL)



NETWORK MANAGEMENT CARD

NOTES:

1. INSTALLATION SHALL COMPLY WITH ALL APPLICABLE NATIONAL AND LOCAL ELECTRICAL REGULATIONS.
2. PLEASE REFER TO PRODUCT MANUALS FOR ADDITIONAL DETAILS.

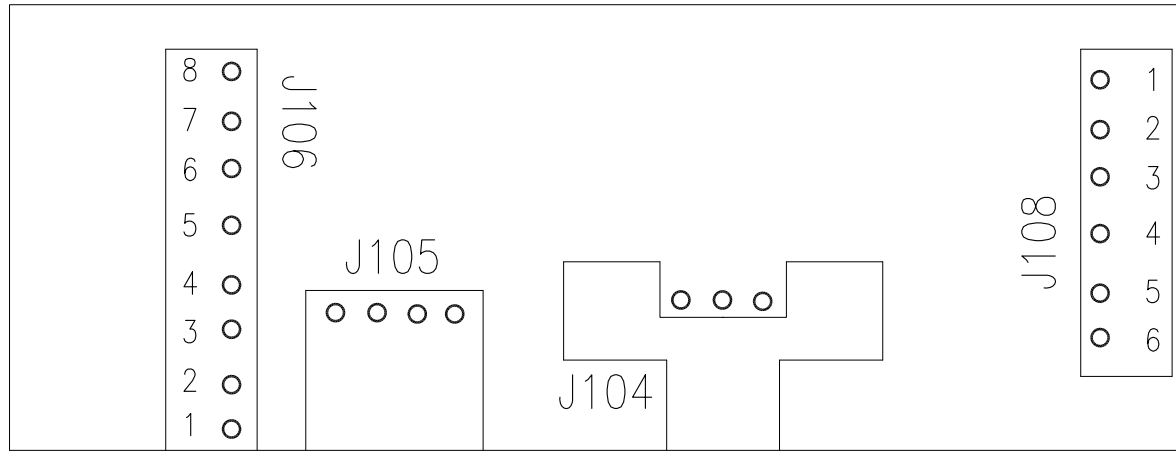
THIS DRAWING AND SPECIFICATIONS HEREIN ARE THE PROPERTY OF SCHNEIDER ELECTRIC AND SHALL NOT BE COPIED, REPRODUCED OR USED IN WHOLE OR IN PART, AS THE BASIS FOR THE MANUFACTURE OR SALE OF ITEMS WITHOUT WRITTEN PERMISSION FROM SCHNEIDER ELECTRIC. THIS DRAWING IS BASED UPON LATEST AVAILABLE INFORMATION AND IS SUBJECT TO CHANGE WITHOUT NOTICE.



TITLE:  
MGE GALAXY 3500 NARROW TOWER  
10 TO 20KVA, 400V, 3PH  
WITH BATTERY MODULES, INT MAINT BYPASS  
CONTROL PANEL, NMC & COM.BOX  
PROJECT: SUBMITTAL DRAWINGS SHEET 5 OF 8

DWG NO: G35T10K20HN  
DRAWN: JAYAPRAKASH 29-JUN-09  
ENGINEER: I.KENNEDY 30-JUN-09  
APPROVED: C.LARSEN 30-JUN-09

REV: 0  
FIRST ANGLE PROJECTION



COMMUNICATION BOARD

J106 PIN CONNECTIONS

J106	
8 ○	External charging control return
7 ○	External control of charging
6 ○	Q3 active return
5 ○	Q3 active
4 ○	Battery measurement supply
3 ○	Battery unit quantity
2 ○	Max. battery temperature
1 ○	Battery measurement return

J108 PIN CONNECTIONS

J108	
Normally open EPO	○ 1
Normally open EPO return	○ 2
Normally closed EPO	○ 3
Normally closed EPO return	○ 4
+24V SELV supply	○ 5
SELV ground	○ 6

NOTES:

1. INSTALLATION SHALL COMPLY WITH ALL APPLICABLE NATIONAL AND LOCAL ELECTRICAL REGULATIONS.
2. PLEASE REFER TO PRODUCT MANUALS FOR ADDITIONAL DETAILS.

THIS DRAWING AND SPECIFICATIONS HEREIN ARE THE PROPERTY OF SCHNEIDER ELECTRIC AND SHALL NOT BE COPIED, REPRODUCED OR USED IN WHOLE OR IN PART, AS THE BASIS FOR THE MANUFACTURE OR SALE OF ITEMS WITHOUT WRITTEN PERMISSION FROM SCHNEIDER ELECTRIC. THIS DRAWING IS BASED UPON LATEST AVAILABLE INFORMATION AND IS SUBJECT TO CHANGE WITHOUT NOTICE.



TITLE:  
MGE GALAXY 3500 NARROW TOWER  
10 TO 20KVA, 400V, 3PH  
WITH BATTERY MODULES, INT. MAINT BYPASS  
COMMUNICATION BOARD  
PROJECT: SUBMITTAL DRAWINGS SHEET 6 OF 8

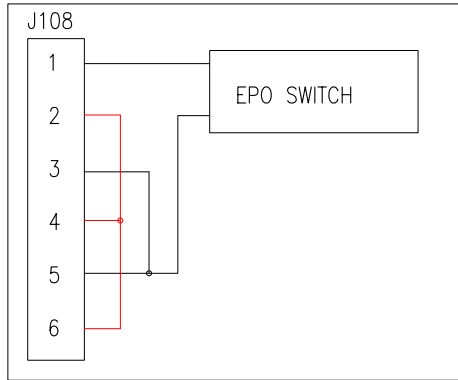
DWG NO: G35T10K20HN  
DRAWN: JAYAPRAKASH 29-JUN-09  
ENGINEER: I.KENNEDY 30-JUN-09  
APPROVED: C.LARSEN 30-JUN-09

REV: 0  
FIRST ANGLE PROJECTION

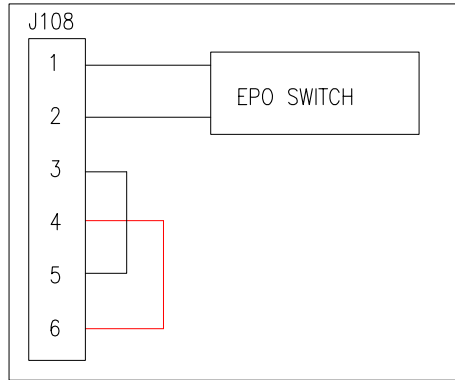
EPO WIRING OPTIONS (J108)

CONNECT THE EPO CABLE, USING ONE OF THE FOLLOWING 4 WIRING CONFIGURATIONS.

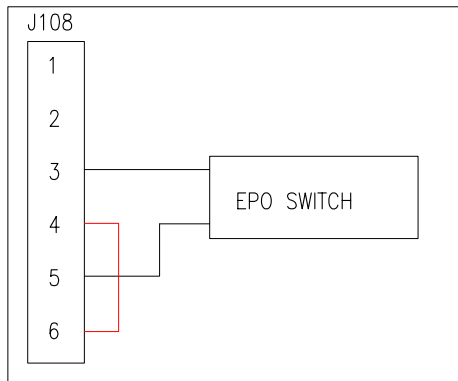
1: DRY CONTACTS NORMALLY OPEN



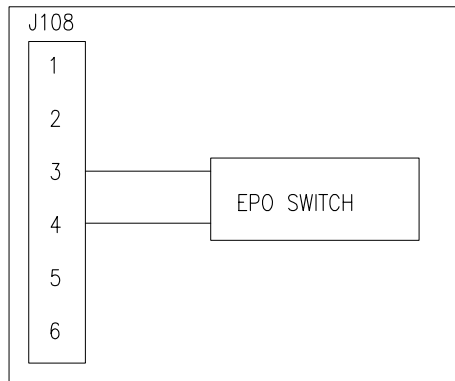
2: +24V NORMALLY OPEN



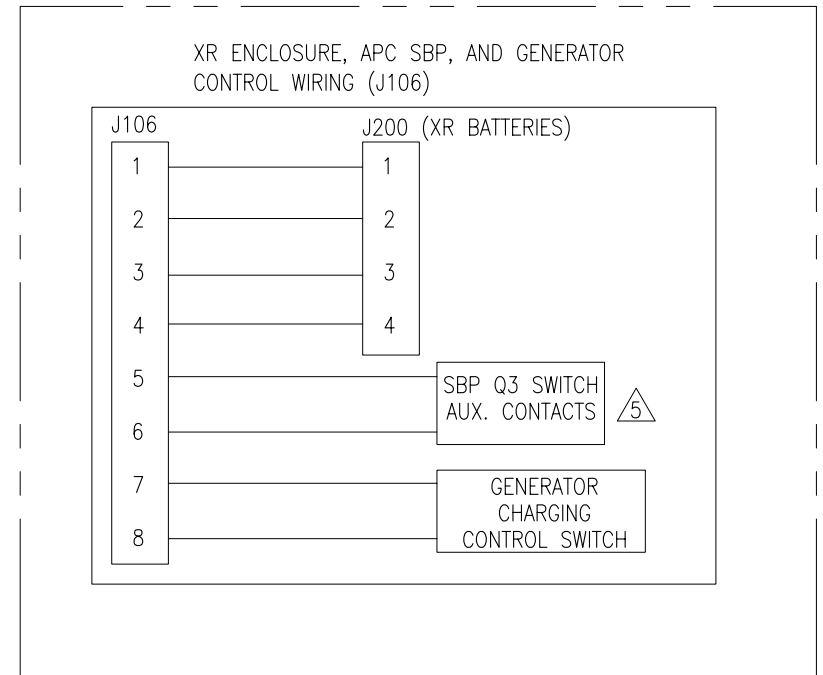
3: DRY CONTACTS NORMALLY CLOSED



4: +24V NORMALLY CLOSED



XR ENCLOSURE, APC SBP, AND GENERATOR CONTROL WIRING (J106)



NOTES:

1. INSTALLATION SHALL COMPLY WITH ALL APPLICABLE NATIONAL AND LOCAL ELECTRICAL REGULATIONS.
2. PLEASE REFER TO PRODUCT MANUALS FOR ADDITIONAL DETAILS.
3. FOR COMMUNICATION CABLES USE ONLY 1-1.5 SQ mm COPPER WIRE RATED MINIMUM 250V.
4. FOR SYSTEM CONTROL CONNECTIONS (CAN I/O BOARD LOCATED IN SBP) PLEASE REFER TO DRAWING NUMBER: G35T10K40H2-1MOD-WD/G35T10K40H2-2MOD-WD/G35T10K40H2-3MOD-WD.
- △ 5. FOR ONE MODULE CONFIGURATION ONLY.

THIS DRAWING AND SPECIFICATIONS HEREIN ARE THE PROPERTY OF SCHNEIDER ELECTRIC AND SHALL NOT BE COPIED, REPRODUCED OR USED IN WHOLE OR IN PART, AS THE BASIS FOR THE MANUFACTURE OR SALE OF ITEMS WITHOUT WRITTEN PERMISSION FROM SCHNEIDER ELECTRIC. THIS DRAWING IS BASED UPON LATEST AVAILABLE INFORMATION AND IS SUBJECT TO CHANGE WITHOUT NOTICE.



TITLE: MGE GALAXY 3500 NARROW TOWER 10 TO 20KVA, 400V, 3PH WITH BATTERY MODULES, INT MAINT BYPASS EPO CIRCUITS  
PROJECT: SUBMITTAL DRAWINGS SHEET 7 OF 8

DWG NO: G35T10K20HN  
DRAWN: JAYAPRAKASH 29-JUN-09  
ENGINEER: I.KENNEDY 30-JUN-09  
APPROVED: C.LARSEN 30-JUN-09

REV: 0  
FIRST ANGLE PROJECTION

# WEIGHT AND RUNTIME DETAILS

UPS	Battery Modules in UPS (SYBT4)		Total No. of battery modules	10kVA		15kVA		20kVA			
				G35T10KH1B2S		G35T10KH2B2S		G35T15KH2B2S		G35T20KH2B2S	
				Net Weight in Kg	Runtime in Min	Net Weight in Kg	Runtime in Min	Net Weight in Kg	Runtime in Min	Net Weight in Kg	Runtime in Min
		1	1	214	6						
		2	2	306	18	306	18	402	10	402	6

FOR RUNTIME DETAILS WITH XR BATTERY CABINETS, PLEASE REFER TO SOLUTION DRAWINGS:  
G35T10K20HN1B3SBP/G35T10K20HN2B3SBP/G35T10K20HN3B3SBP

**NOTES:**

1. INSTALLATION SHALL COMPLY WITH ALL APPLICABLE NATIONAL AND LOCAL ELECTRICAL REGULATIONS.
2. PLEASE REFER TO PRODUCT MANUALS FOR ADDITIONAL DETAILS.

THIS DRAWING AND SPECIFICATIONS HEREIN ARE THE PROPERTY OF SCHNEIDER ELECTRIC AND SHALL NOT BE COPIED, REPRODUCED OR USED IN WHOLE OR IN PART, AS THE BASIS FOR THE MANUFACTURE OR SALE OF ITEMS WITHOUT WRITTEN PERMISSION FROM SCHNEIDER ELECTRIC. THIS DRAWING IS BASED UPON LATEST AVAILABLE INFORMATION AND IS SUBJECT TO CHANGE WITHOUT NOTICE.



TITLE: MGE GALAXY 3500 NARROW TOWER 10 TO 20KVA, 400V, 3PH WITH BATTERY MODULES, INT MAINT BYPASS WEIGHT AND RUNTIME DETAILS  
PROJECT: SUBMITTAL DRAWINGS SHEET 8 OF 8

DWG NO: G35T10K20HN  
DRAWN: JAYAPRAKASH 29-JUN-09  
ENGINEER: I.KENNEDY 30-JUN-09  
APPROVED: C.LARSEN 30-JUN-09

REV: 0  
FIRST ANGLE PROJECTION