

SKU Number	No. of Battery Modules	Net Weight in kg [lbs]	COG Details in mm [inches]		
			X-Distance	Y-Distance	Z-Distance
G35TBXR2B6	2	388 [858]	261 [10.28]	500 [19.68]	403 [15.87]
G35TBXR2B6 + 1 SYBT4	3	484 [1070]	261 [10.28]	496 [19.53]	401 [15.79]
G35TBXR2B6 + 2 SYBT4	4	580 [1282]	261 [10.28]	520 [20.47]	399 [15.71]
G35TBXR2B6 + 3 SYBT4	5	676 [1495]	261 [10.28]	560 [22.05]	398 [15.67]
G35TBXR6B6	6	772 [1707]	261 [10.28]	610 [24.02]	397 [15.63]

NOTES:

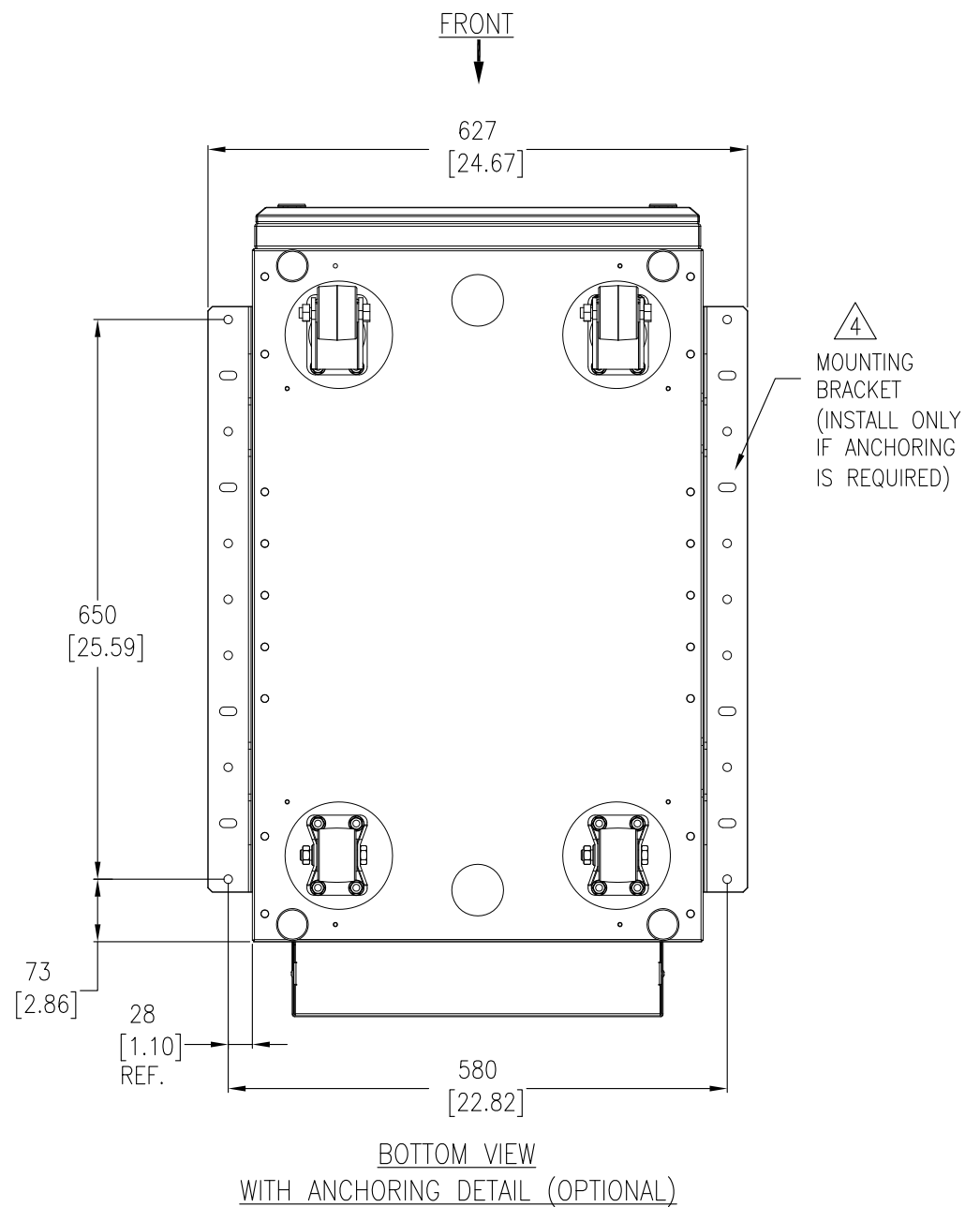
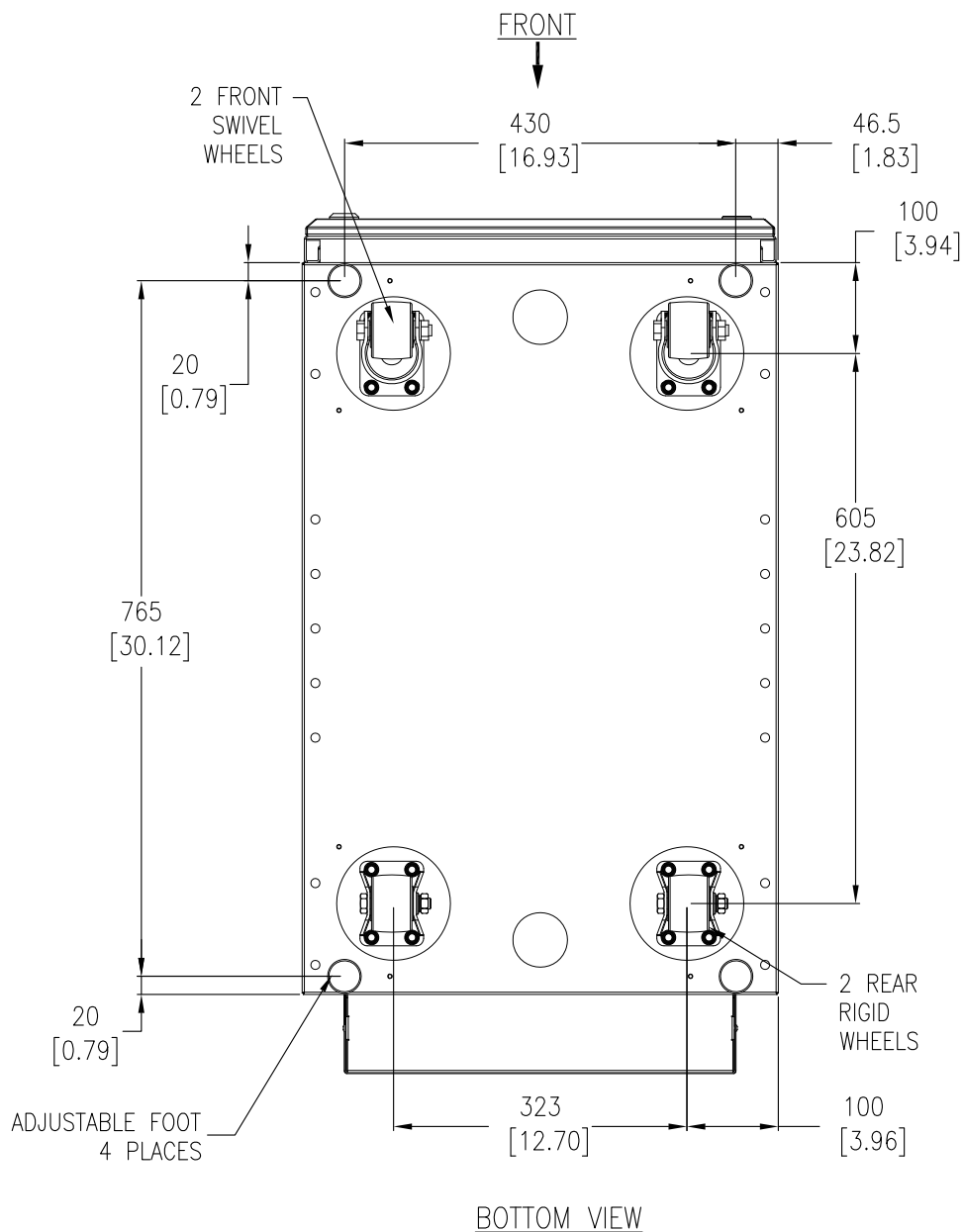
1. INSTALLATION SHALL COMPLY WITH ALL APPLICABLE NATIONAL, STATE AND LOCAL CODES.
2. PLEASE REFER TO PRODUCT MANUALS FOR ADDITIONAL DETAILS.
3. UNLESS OTHERWISE SPECIFIED, ALL DIMENSIONS ARE IN MILLIMETERS [INCHES].
4. CABLE ENTRY IS REAR OF UNIT.
5. FRONT AND REAR SERVICE CLEARANCE, TOP COOLING CLEARANCE REQUIRED.
- △ 6. IF REQUIRED FOR WORKING CLEARANCE, USE FLEXIBLE CONDUIT WITH SUFFICIENT LENGTH TO ALLOW THE UNIT TO BE MOVED OUT FOR SERVICE.
7. PLEASE REFER TO TABLE FOR WEIGHT AND COG DETAILS.
8. COLOR: GREY METALLIC.

THIS DRAWING AND SPECIFICATIONS HEREIN ARE THE PROPERTY OF SCHNEIDER ELECTRIC AND SHALL NOT BE COPIED, REPRODUCED OR USED IN WHOLE OR IN PART, AS THE BASIS FOR THE MANUFACTURE OR SALE OF ITEMS WITHOUT WRITTEN PERMISSION FROM SCHNEIDER ELECTRIC. THIS DRAWING IS BASED UPON LATEST AVAILABLE INFORMATION AND IS SUBJECT TO CHANGE WITHOUT NOTICE.



TITLE:	MGE GALAXY 3500 EXTENDED RUN FRAME WITH MCCB, WITH BATTERY MODS. EXP. TO 6 MAIN MECHANICAL	DWG NO:	G35TBXR6B6	REV.	2
PROJECT:	SUBMITTAL DRAWINGS	DRAWN:	JAYAPRAKASH/S CUNHA	DATE:	04-OCT-11
SHEET:	1 OF 3	ENGINEER:	M MAISSY	DATE:	04-OCT-11
		APPROVED:	B.SHERDAN/E.SLW/C.JARSEN/S.SINGH	DATE:	04-OCT-11

FIRST ANGLE PROJECTION



NOTES:

1. INSTALLATION SHALL COMPLY WITH ALL APPLICABLE NATIONAL, STATE AND LOCAL CODES.
2. PLEASE REFER TO PRODUCT MANUALS FOR ADDITIONAL DETAILS.
3. UNLESS OTHERWISE SPECIFIED, ALL DIMENSIONS ARE IN MILLIMETERS [INCHES].
- △ 4. PLEASE REFER TO DOCUMENT G35TSA FOR SEISMIC ANCHORING DETAILS.

THIS DRAWING AND SPECIFICATIONS HEREIN ARE THE PROPERTY OF SCHNEIDER ELECTRIC AND SHALL NOT BE COPIED, REPRODUCED OR USED IN WHOLE OR IN PART, AS THE BASIS FOR THE MANUFACTURE OR SALE OF ITEMS WITHOUT WRITTEN PERMISSION FROM SCHNEIDER ELECTRIC. THIS DRAWING IS BASED UPON LATEST AVAILABLE INFORMATION AND IS SUBJECT TO CHANGE WITHOUT NOTICE.



TITLE:
MGE GALAXY 3500
EXTENDED RUN FRAME
WITH MCCB, WITH BATTERY MODS. EXP. TO 6
BOTTOM VIEWS

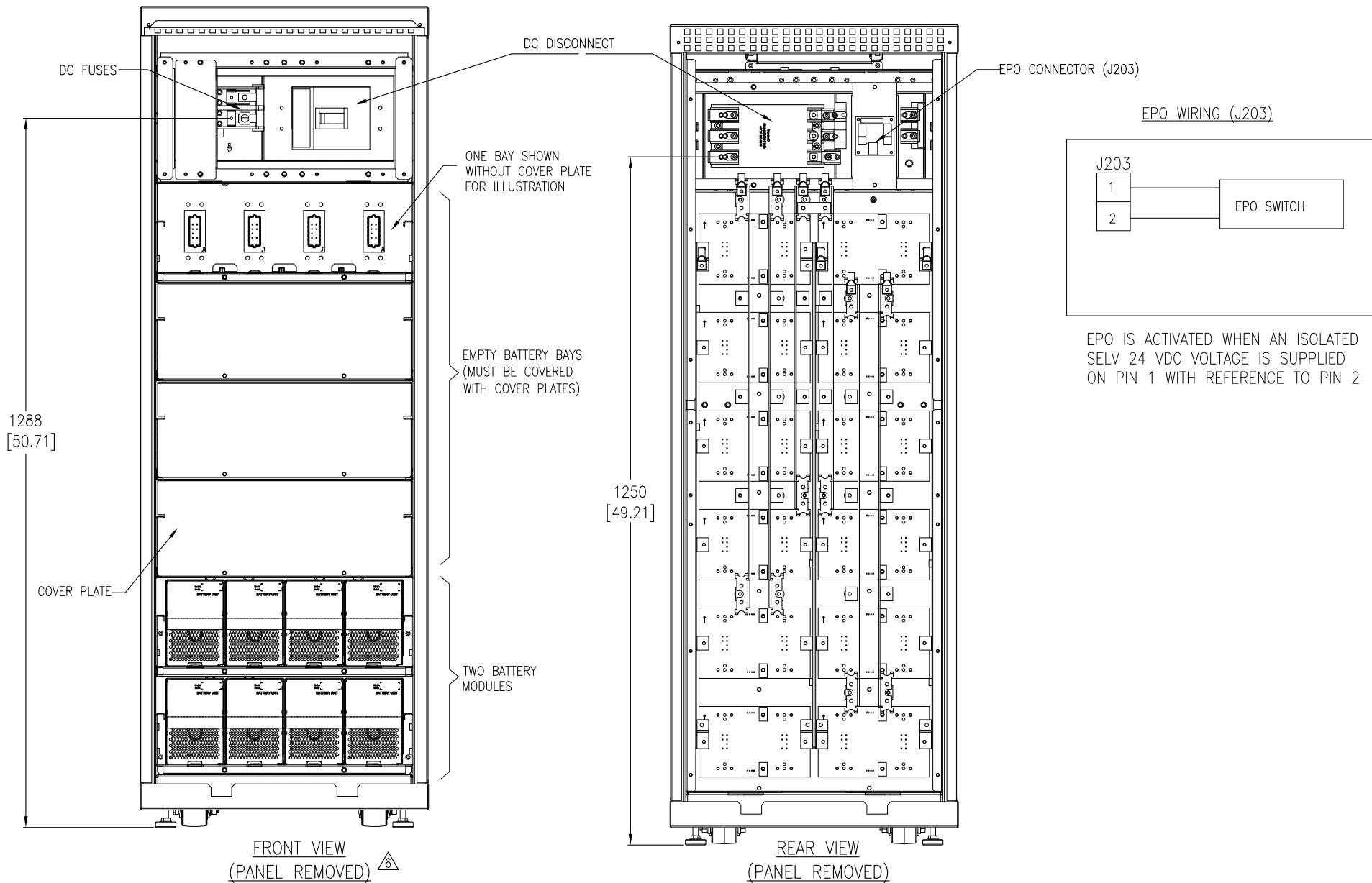
PROJECT: SUBMITTAL DRAWINGS SHEET 2 OF 3

DWG NO: G35TBXR6B6

DRAWN: JAYAPRAKASH	06-OCT-09
ENGINEER: I.KENNEDY	06-OCT-09
APPROVED: B.SHERDAN/E.SILVA/C.JARSEN/S.SINGH	06-OCT-09

REV. 1

FIRST ANGLE PROJECTION



NOTES:

1. INSTALLATION SHALL COMPLY WITH ALL APPLICABLE NATIONAL, STATE AND LOCAL CODES.
2. PLEASE REFER TO PRODUCT MANUALS FOR ADDITIONAL DETAILS.
3. UNLESS OTHERWISE SPECIFIED, ALL DIMENSIONS ARE IN MILLIMETERS [INCHES] .
4. SOME STRUCTURAL DETAILS HAVE BEEN OMITTED FOR THE PURPOSE OF CLARITY.
5. FOR COMMUNICATION CABLES USE ONLY 28-16AWG COPPER WIRE RATED MINIMUM 250V.
6. THIS VIEW REPRESENTS THE SKU WITH TWO BATTERY MODULES, PLEASE REFER TO SHEET-1 FOR G35TBXR6B6 DETAILS.
7. FOR DETAILS ABOUT INTERFACE WITH UPS AND OTHER BATTERY CABINETS, PLEASE REFER TO DRAWINGS: a) FOR 208V: G35T10K30F-1MOD-WD, G35T10K30F-2MOD-WD, G35T10K30F-3MOD-WD. b) FOR 400V: G35T10K40H2-1MOD-WD, G35T10K40H2-2MOD-WD, G35T10K40H2-3MOD-WD, G35T15K40-WD.

THIS DRAWING AND SPECIFICATIONS HEREIN ARE THE PROPERTY OF SCHNEIDER ELECTRIC AND SHALL NOT BE COPIED, REPRODUCED OR USED IN WHOLE OR IN PART, AS THE BASIS FOR THE MANUFACTURE OR SALE OF ITEMS WITHOUT WRITTEN PERMISSION FROM SCHNEIDER ELECTRIC. THIS DRAWING IS BASED UPON LATEST AVAILABLE INFORMATION AND IS SUBJECT TO CHANGE WITHOUT NOTICE.



TITLE:	MGE GALAXY 3500 EXTENDED RUN FRAME WITH MCCB, WITH BATTERY MODS. EXP. TO 6 INTERNAL DETAILS	DWG NO:	G35TBXR6B6	REV:	2
PROJECT:	SUBMITTAL DRAWINGS SHEET 3 OF 3	DRAWN:	JAYAPRAKASH/S CUNHA	04-OCT-11	FIRST ANGLE PROJECTION
		ENGINEER:	M MAISSY	04-OCT-11	
		APPROVED:	B.SHERDAN/E.SILVA/C.ROSEN/S.SINGH	04-OCT-11	