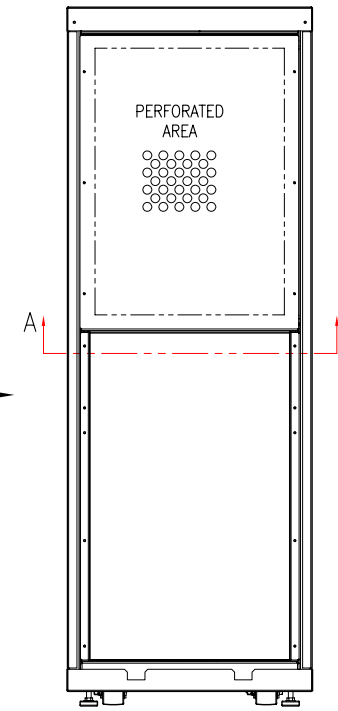
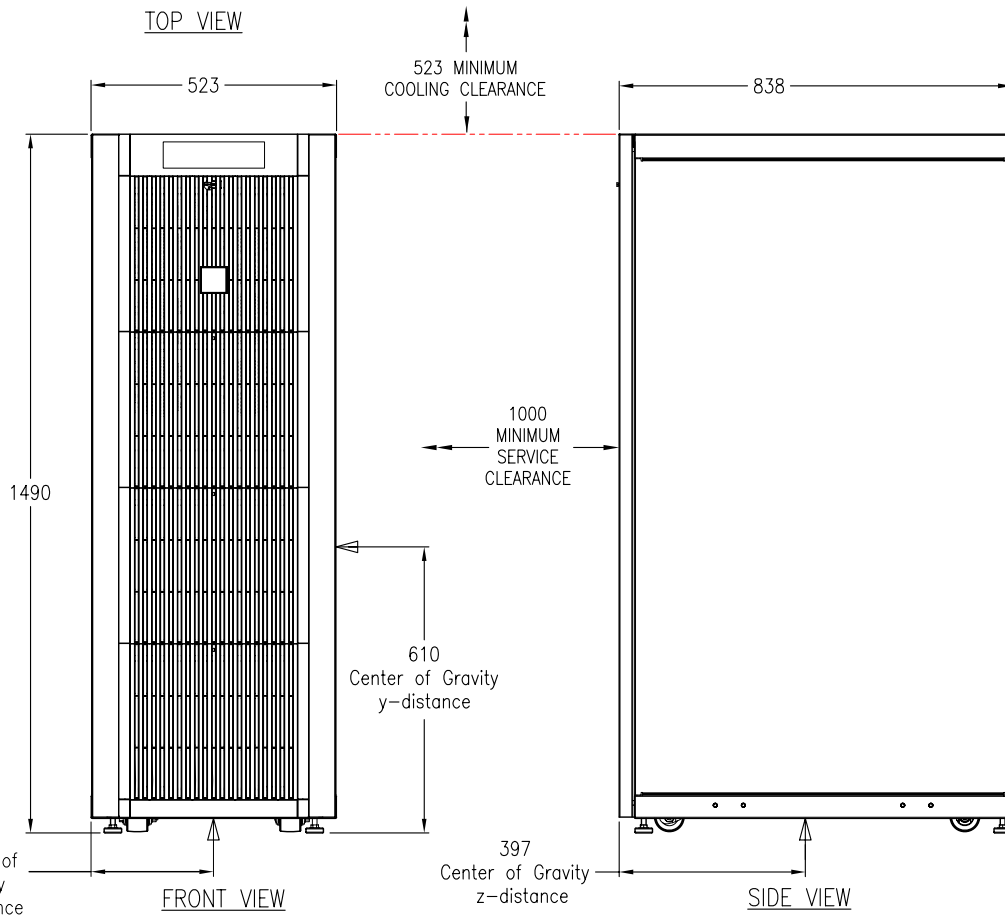


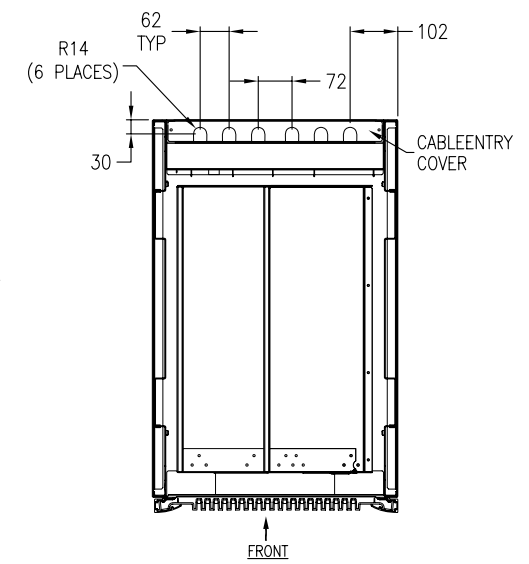
TOP VIEW

NOTES:

1. INSTALLATION SHALL COMPLY WITH ALL APPLICABLE NATIONAL AND LOCAL CODES.
2. PLEASE REFER TO PRODUCT MANUALS FOR ADDITIONAL DETAILS.
3. ALL DIMENSIONS ARE IN MILLIMETERS UNLESS OTHERWISE SPECIFIED.
4. CABLE ENTRY IS REAR OF UNIT. SEE UNIT WITH OPTIONAL CONDUIT BOX ON SHEET-2.
5. FRONT AND REAR SERVICE CLEARANCE, TOP COOLING CLEARANCE REQUIRED.
6. NET WEIGHT OF UNIT IS 779 kg.



REAR VIEW



SECTION - AA

THIS DRAWING AND SPECIFICATIONS HEREIN ARE THE PROPERTY OF SCHNEIDER ELECTRIC AND SHALL NOT BE COPIED, REPRODUCED OR USED IN WHOLE OR IN PART, AS THE BASIS FOR THE MANUFACTURE OR SALE OF ITEMS WITHOUT WRITTEN PERMISSION FROM SCHNEIDER ELECTRIC. THIS DRAWING IS BASED UPON LATEST AVAILABLE INFORMATION AND IS SUBJECT TO CHANGE WITHOUT NOTICE.

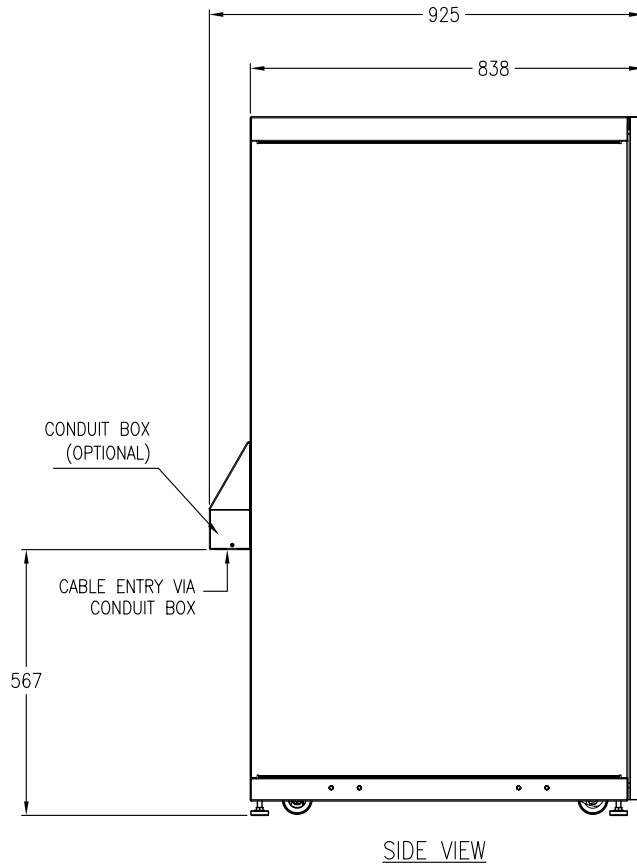
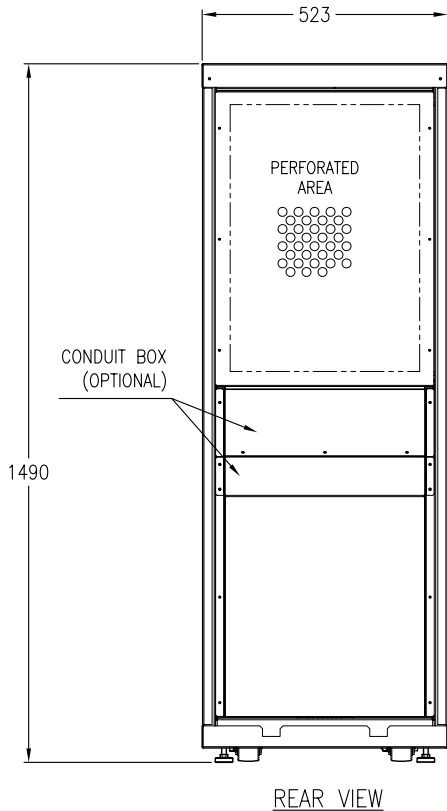
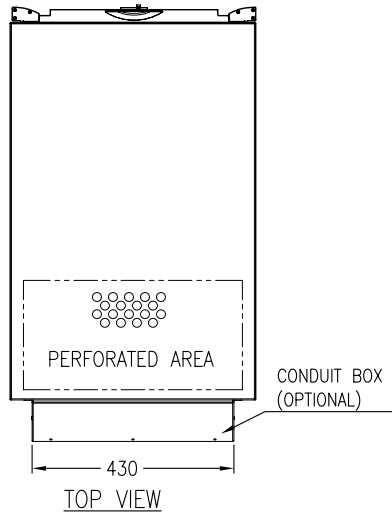


TITLE: APC SMART-UPS VT JAPAN EXTENDED RUN ENCLOSURE W/6 BATTERY MODULES, MCCB & STARTUP MAIN MECHANICAL  
 PROJECT: SUBMITTAL DRAWINGS SHEET 1 OF 4

DWG NO: SUVTJBXR6B6S-MM1  
 DRAWN: JAYAPRAKASH 19-JUN-09  
 ENGINEER: D.PETERSEN 19-JUN-09  
 APPROVED: T.YAMAMOTO/J.SUN 19-JUN-09

REV: 0  
 THIRD ANGLE PROJECTION

# UNIT WITH OPTIONAL CONDUIT BOX



## NOTES:

1. INSTALLATION SHALL COMPLY WITH ALL APPLICABLE NATIONAL AND LOCAL CODES.
2. PLEASE REFER TO PRODUCT MANUALS FOR ADDITIONAL DETAILS.
3. ALL DIMENSIONS ARE IN MILLIMETERS UNLESS OTHERWISE SPECIFIED.
4. SOME STRUCTURAL DETAILS HAVE BEEN OMITTED FOR THE PURPOSE OF CLARITY.
5. CONDUIT BOX IS NOT PROVIDED WITH THE STANDARD UNIT BUT HAS TO BE ORDERED AS AN OPTION.

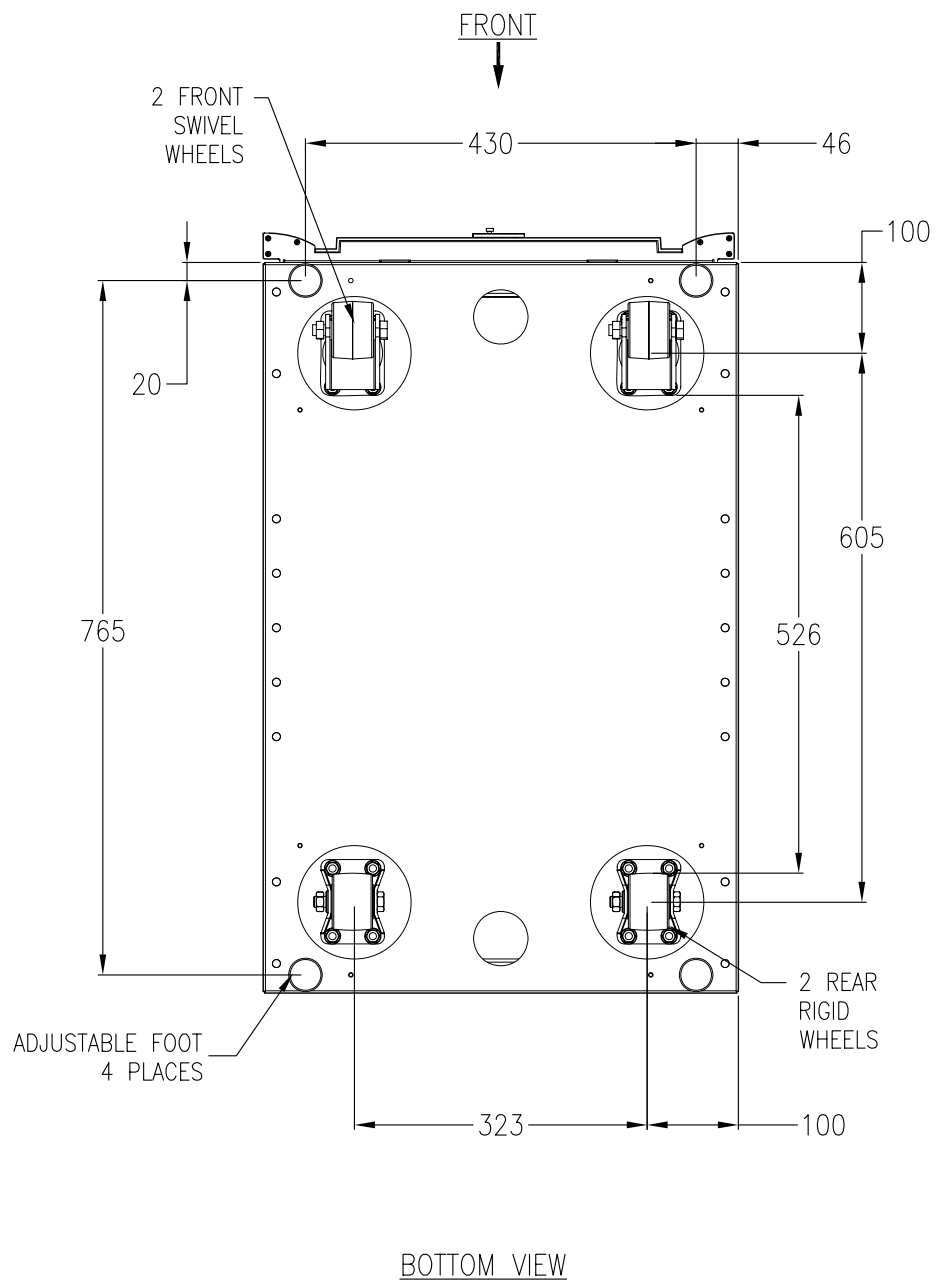
THIS DRAWING AND SPECIFICATIONS HEREIN ARE THE PROPERTY OF SCHNEIDER ELECTRIC AND SHALL NOT BE COPIED, REPRODUCED OR USED IN WHOLE OR IN PART, AS THE BASIS FOR THE MANUFACTURE OR SALE OF ITEMS WITHOUT WRITTEN PERMISSION FROM SCHNEIDER ELECTRIC. THIS DRAWING IS BASED UPON LATEST AVAILABLE INFORMATION AND IS SUBJECT TO CHANGE WITHOUT NOTICE.

**Schneider**  
Electric

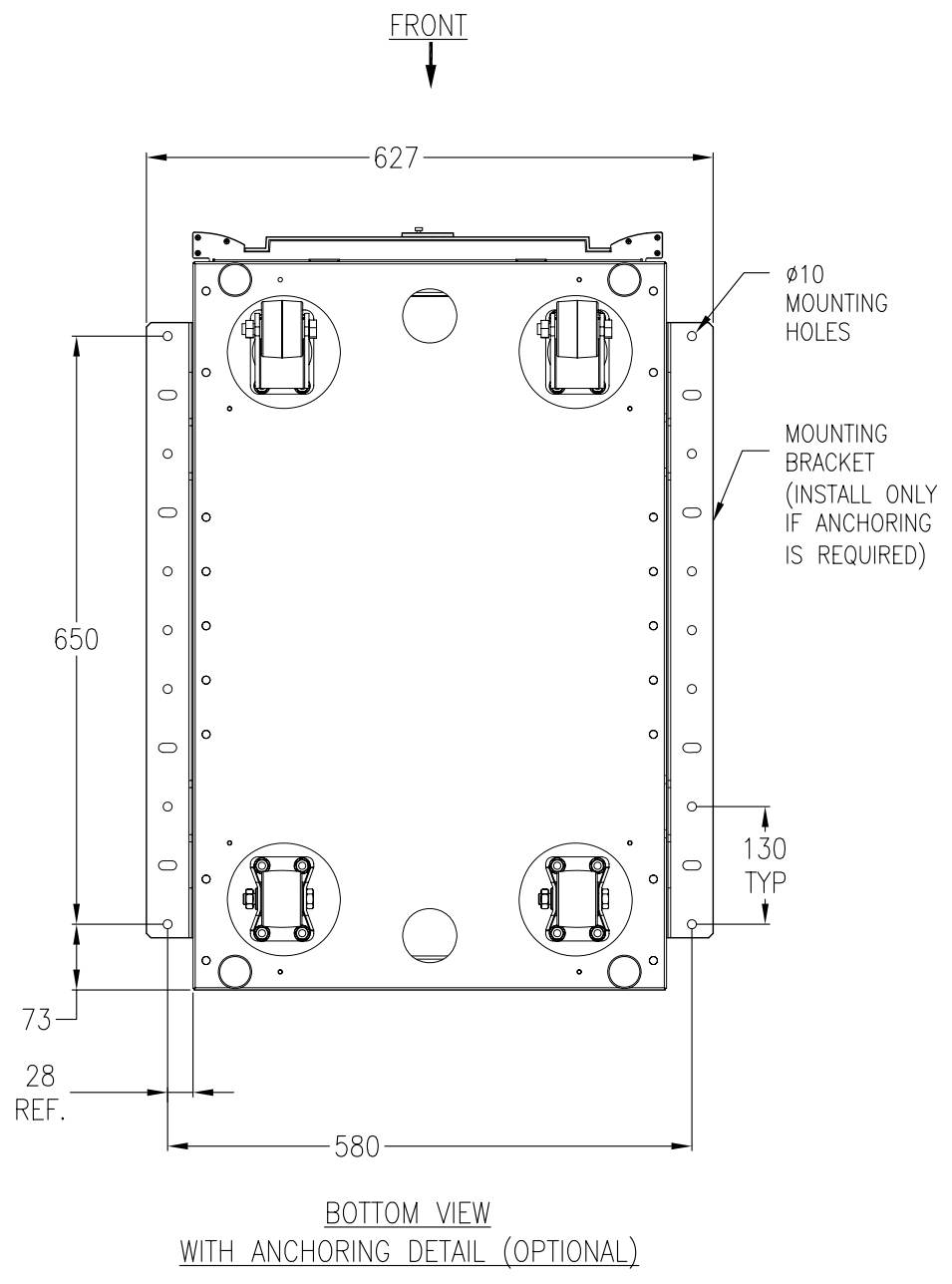
TITLE:  
APC SMART-UPS VT  
JAPAN EXTENDED RUN ENCLOSURE  
W/6 BATTERY MODULES, MCCB & STARTUP  
CONDUIT BOX OPTION

PROJECT: SUBMITTAL DRAWINGS SHEET 2 OF 4

DWG NO:	SUVTJBXR6B6S-MM3	REV:	0
DRAWN:	JAYAPRAKASH	19-JUN-09	THIRD ANGLE PROJECTION
ENGINEER:	D.PETERSEN	19-JUN-09	
APPROVED:	T.YAMAMOTO/J.SUN	19-JUN-09	



BOTTOM VIEW



BOTTOM VIEW  
WITH ANCHORING DETAIL (OPTIONAL)

NOTES:

1. INSTALLATION SHALL COMPLY WITH ALL APPLICABLE NATIONAL AND LOCAL CODES.
2. PLEASE REFER TO PRODUCT MANUALS FOR ADDITIONAL DETAILS.
3. ALL DIMENSIONS ARE IN MILLIMETERS UNLESS OTHERWISE SPECIFIED.

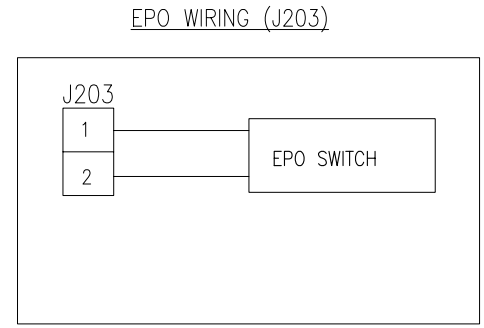
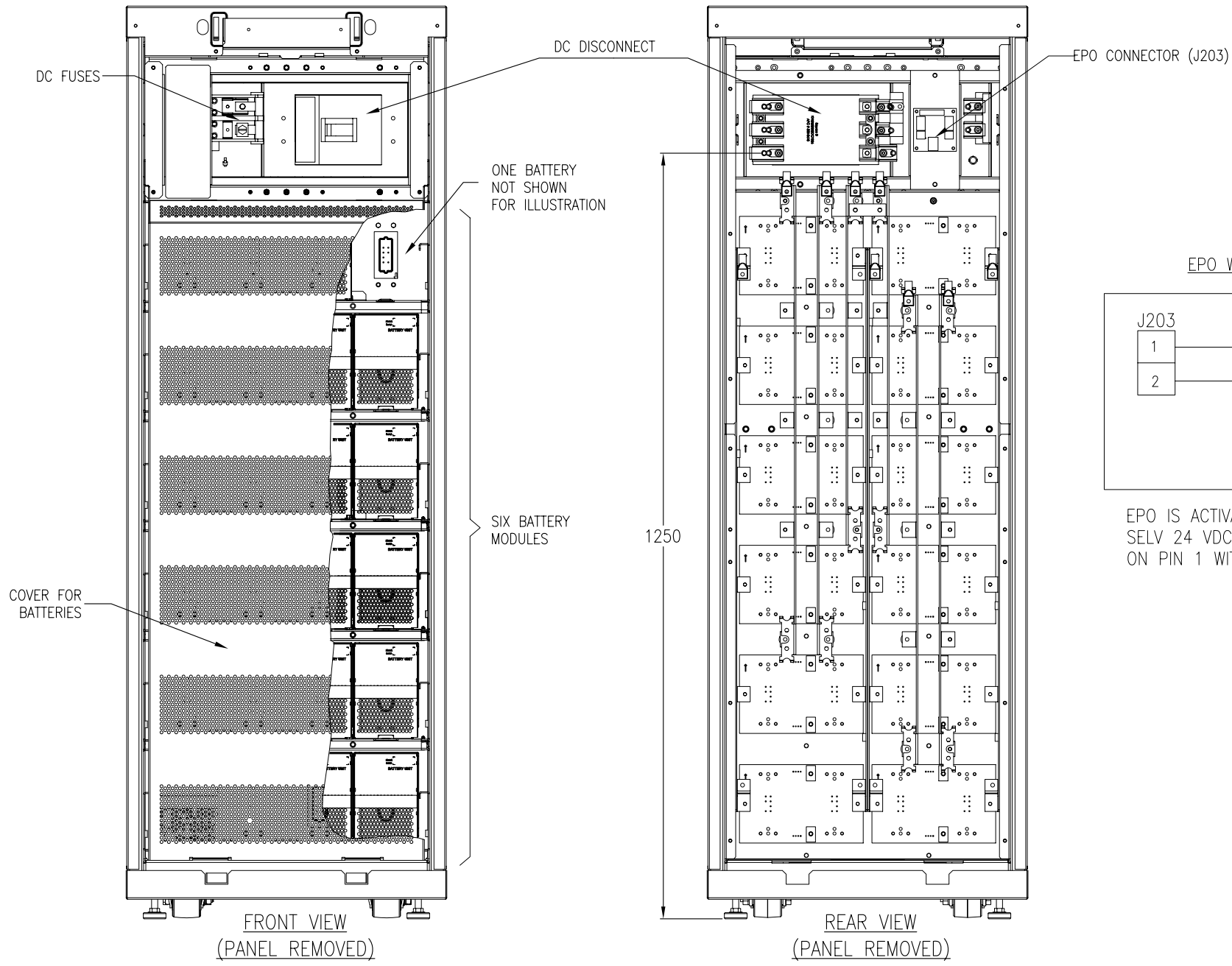
THIS DRAWING AND SPECIFICATIONS HEREIN ARE THE PROPERTY OF SCHNEIDER ELECTRIC AND SHALL NOT BE COPIED, REPRODUCED OR USED IN WHOLE OR IN PART, AS THE BASIS FOR THE MANUFACTURE OR SALE OF ITEMS WITHOUT WRITTEN PERMISSION FROM SCHNEIDER ELECTRIC. THIS DRAWING IS BASED UPON LATEST AVAILABLE INFORMATION AND IS SUBJECT TO CHANGE WITHOUT NOTICE.



TITLE:  
APC SMART-UPS VT  
JAPAN EXTENDED RUN ENCLOSURE  
W/6 BATTERY MODULES, MCCB & STARTUP  
BOTTOM VIEWS  
PROJECT: SUBMITTAL DRAWINGS SHEET 3 OF 4

DWG NO: SUVTJBXR6B6S-MM4  
DRAWN: JAYAPRAKASH 19-JUN-09  
ENGINEER: D.PETERSEN 19-JUN-09  
APPROVED: T.YAMAMOTO/J.SUN 19-JUN-09

REV: 0  
THIRD  
ANGLE  
PROJECTION



EPO IS ACTIVATED WHEN AN ISOLATED SELV 24 VDC VOLTAGE IS SUPPLIED ON PIN 1 WITH REFERENCE TO PIN 2

NOTES:

1. INSTALLATION SHALL COMPLY WITH ALL APPLICABLE NATIONAL AND LOCAL CODES.
2. PLEASE REFER TO PRODUCT MANUALS FOR ADDITIONAL DETAILS.
3. ALL DIMENSIONS ARE IN MILLIMETERS UNLESS OTHERWISE SPECIFIED.
4. FOR COMMUNICATION CABLES USE ONLY 28-16AWG COPPER WIRE RATED MINIMUM 250V.

THIS DRAWING AND SPECIFICATIONS HEREIN ARE THE PROPERTY OF SCHNEIDER ELECTRIC AND SHALL NOT BE COPIED, REPRODUCED OR USED IN WHOLE OR IN PART, AS THE BASIS FOR THE MANUFACTURE OR SALE OF ITEMS WITHOUT WRITTEN PERMISSION FROM SCHNEIDER ELECTRIC. THIS DRAWING IS BASED UPON LATEST AVAILABLE INFORMATION AND IS SUBJECT TO CHANGE WITHOUT NOTICE.



TITLE:  
APC SMART-UPS VT  
JAPAN EXTENDED RUN ENCLOSURE  
W/6 BATTERY MODULES, MCCB & STARTUP  
INTERNAL DETAILS  
PROJECT: SUBMITTAL DRAWINGS SHEET 4 OF 4

DWG NO: SUVTJBXR6B6S-ME1  
DRAWN: JAYAPRAKASH  
ENGINEER: D.PETERSEN  
APPROVED: T.YAMAMOTO/J.SUN

REV: 0  
THIRD ANGLE PROJECTION