

NOTES:

1. INSTALLATION SHALL COMPLY WITH ALL APPLICABLE NATIONAL AND LOCAL CODES.
2. PLEASE REFER TO PRODUCT MANUALS FOR ADDITIONAL DETAILS.
3. ALL DIMENSIONS ARE IN MILLIMETERS [INCHES].
4. THIS ROOF FAN TRAY IS FOR USE WITH AR3150 AND AR3157 APC NetShelter SX ENCLOSURES OF 750mm Wide X 1070mm Deep ONLY.
4. NET WEIGHT OF UNIT IS 10.23 kg [22.5 LBS].
5. IEC320-C13 TO BS:1363, IEC320-C13 TO IEC320-C14, IEC320-C13 TO CEE7/7 POWER CORDS OF 2.5 METER [8.2 FEET] LENGTH EACH ARE SUPPLIED WITH THE UNIT.
6. ROOF GROMMETS (0M-6444A - QTY.: 5) ARE SUPPLIED WITH THE SKU.

ACF504					
INPUT VOLTAGE	FREQUENCY	CURRENT	NOISE	AIR FLOW	OPERATING VOLTAGE RANGE
230 VAC	50Hz	0.50A	62 dBA	370 CFM	196-264 VAC
	60Hz	0.40A	62 dBA	440 CFM	196-264 VAC
208 VAC	50Hz	0.40A	62 dBA	370 CFM	196-264 VAC
	60Hz	0.35A	62 dBA	398 CFM	196-264 VAC

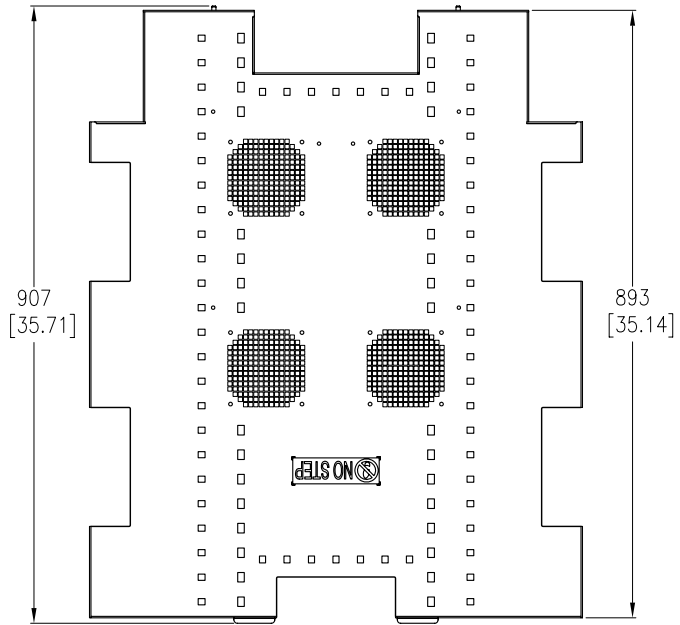
THIS DRAWING AND SPECIFICATIONS HEREIN ARE THE PROPERTY OF SCHNEIDER ELECTRIC AND SHALL NOT BE COPIED, REPRODUCED OR USED IN WHOLE OR IN PART, AS THE BASIS FOR THE MANUFACTURE OR SALE OF ITEMS WITHOUT WRITTEN PERMISSION FROM SCHNEIDER ELECTRIC. THIS DRAWING IS BASED UPON LATEST AVAILABLE INFORMATION AND IS SUBJECT TO CHANGE WITHOUT NOTICE.

Schneider Electric

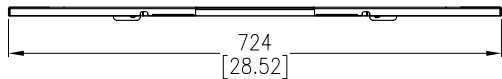
TITLE:
RACK FAN TRAY
208/230V, 50/60Hz
For NetShelter SX 750mm ENCLOSURE
ASSEMBLY- MAIN MECHANICAL
PROJECT: SUBMITTAL DRAWINGS SHEET 1 OF 3

DWG NO:	ACF504		REV:	0
DRAWN:	JAYAPRAKASH	01-APR-09	THIRD	
ENGINEER:	M.UHRHAN/B.OLIVER	14-APR-09	ANGLE	
APPROVED:	S.DUMREKTY/C.ZALDMR/A.KURJA/S.BAGH	14-APR-09	PROJECTION	

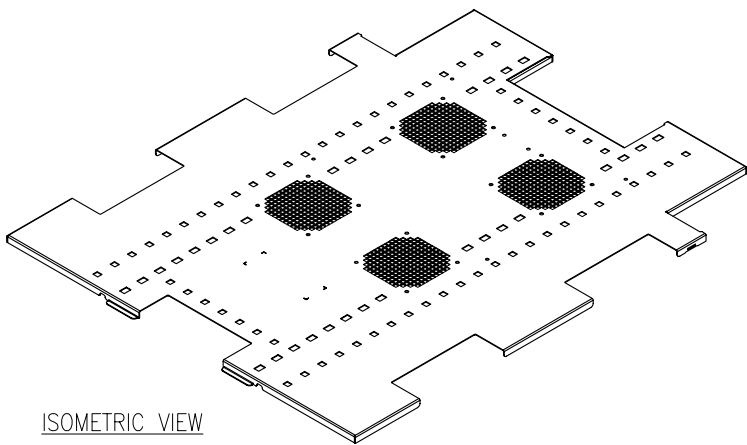
ROOF FAN TRAY



TOP VIEW



FRONT VIEW

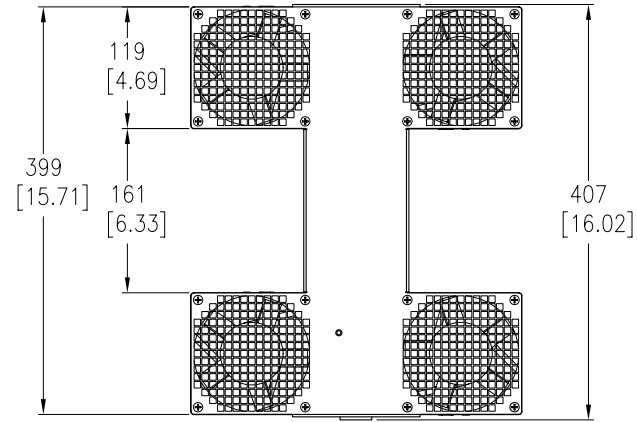


ISOMETRIC VIEW

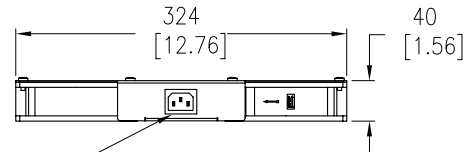
NOTES:

1. INSTALLATION SHALL COMPLY WITH ALL APPLICABLE NATIONAL AND LOCAL CODES.
2. PLEASE REFER TO PRODUCT MANUALS FOR ADDITIONAL DETAILS.
3. ALL DIMENSIONS ARE IN MILLIMETERS [INCHES].

FAN COVER ASSEMBLY

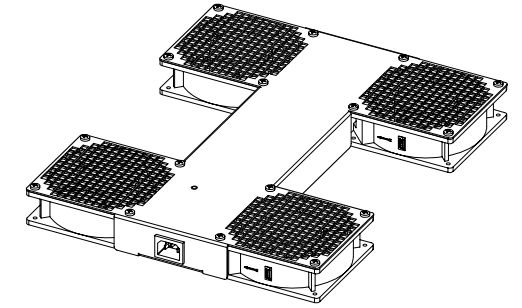


TOP VIEW

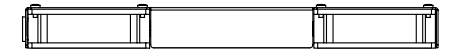


IEC320-C14
INPUT SOCKET

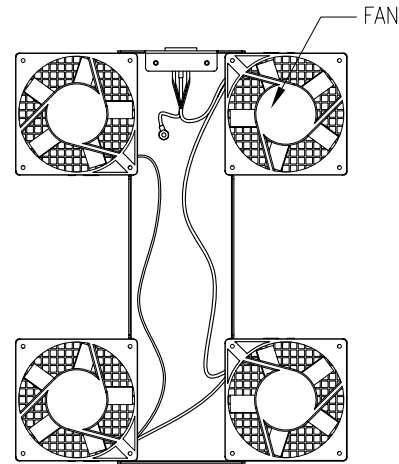
FRONT VIEW



TRIMETRIC VIEW



SIDE VIEW



BOTTOM VIEW

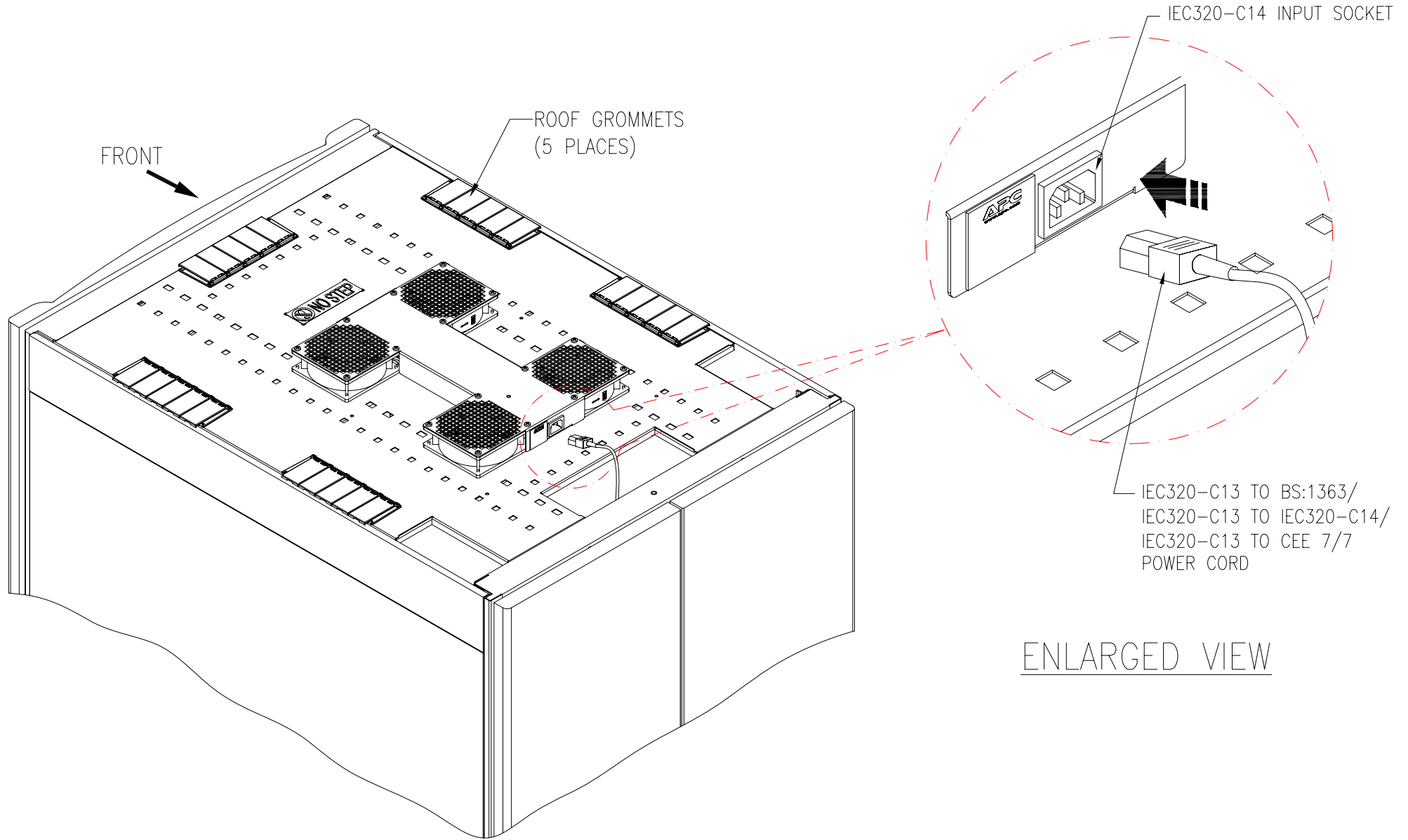
THIS DRAWING AND SPECIFICATIONS HEREIN ARE THE PROPERTY OF SCHNEIDER ELECTRIC AND SHALL NOT BE COPIED, REPRODUCED OR USED IN WHOLE OR IN PART, AS THE BASIS FOR THE MANUFACTURE OR SALE OF ITEMS WITHOUT WRITTEN PERMISSION FROM SCHNEIDER ELECTRIC. THIS DRAWING IS BASED UPON LATEST AVAILABLE INFORMATION AND IS SUBJECT TO CHANGE WITHOUT NOTICE.

Schneider Electric

TITLE: RACK FAN TRAY
208/230V, 50/60Hz
For NetShelter SX 750mm ENCLOSURE
ROOF FAN TRAY & FAN COVER ASSEMBLY
PROJECT: SUBMITTAL DRAWINGS SHEET 2 OF 3

DWG NO:	ACF504	REV:	0
DRAWN:	JAYAPRAKASH	01-APR-09	THIRD
ENGINEER:	M.UHRHAN/B.OLIVER	14-APR-09	ANGLE
APPROVED:	S.UMBERKEY/C.ZALDMAR/A.KURJA/S.WASH	14-APR-09	PROJECTION

TYPICAL APPLICATION



NOTES:

1. INSTALLATION SHALL COMPLY WITH ALL APPLICABLE NATIONAL AND LOCAL CODES.
2. PLEASE REFER TO PRODUCT MANUALS FOR ADDITIONAL DETAILS.

THIS DRAWING AND SPECIFICATIONS HEREIN ARE THE PROPERTY OF SCHNEIDER ELECTRIC AND SHALL NOT BE COPIED, REPRODUCED OR USED IN WHOLE OR IN PART, AS THE BASIS FOR THE MANUFACTURE OR SALE OF ITEMS WITHOUT WRITTEN PERMISSION FROM SCHNEIDER ELECTRIC. THIS DRAWING IS BASED UPON LATEST AVAILABLE INFORMATION AND IS SUBJECT TO CHANGE WITHOUT NOTICE.



TITLE: RACK FAN TRAY
208/230V, 50/60Hz
For NetShelter SX 750mm ENCLOSURE
TYPICAL APPLICATION
PROJECT: SUBMITTAL DRAWINGS SHEET 3 OF 3

DWG NO: ACF504
DRAWN: JAYAPRAKASH 01-APR-09
ENGINEER: M.UHRHAN/B.OLIVER 14-APR-09
APPROVED: GUMMERBY/C.ZALDMR/AKURJA/S.WASH 14-APR-09

REV: 0
THIRD ANGLE PROJECTION