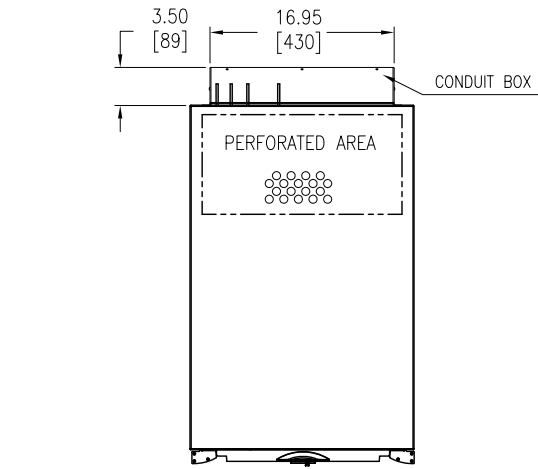


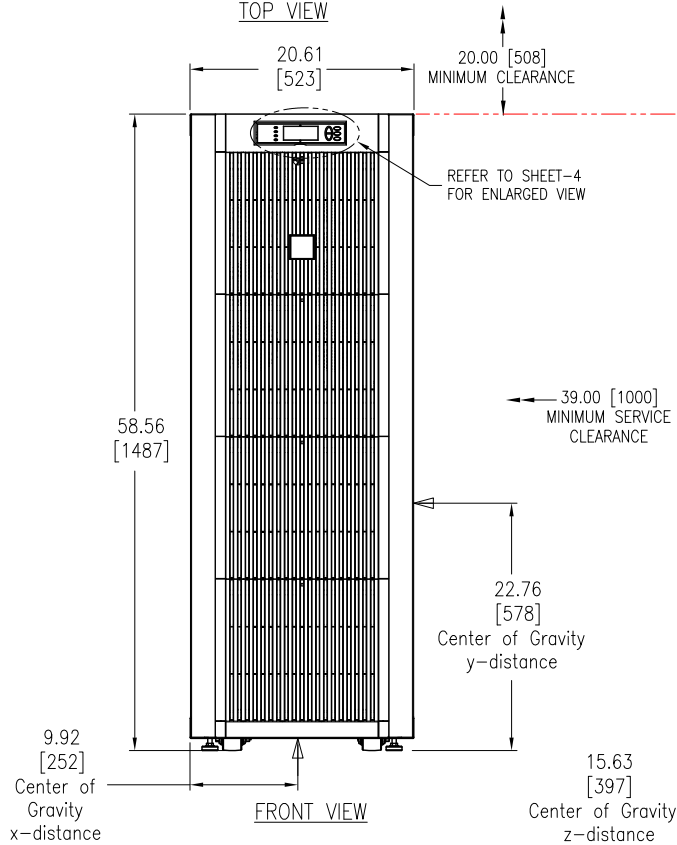
NOTES:

1. INSTALLATION MUST COMPLY WITH ALL APPLICABLE NATIONAL AND LOCAL CODES.
2. PLEASE REFER TO INSTALLATION MANUAL FOR DETAILED INFORMATION.
3. UNLESS OTHERWISE SPECIFIED, ALL DIMENSIONS ARE IN INCHES [MILLIMETERS].
4. CABLE ENTRY IS REAR OF UNIT (VIA CONDUIT BOX).
5. FRONT AND REAR SERVICE CLEARANCE, TOP COOLING CLEARANCE REQUIRED.
6. WEIGHT OF UNIT IS 1115 LBS [507 kg].
- △ 7. OPTION REPRESENTED BY THIS DRAWING.
8. RUNTIME CAN BE EXTENDED WITH ADDITIONAL BATTERY MODULES AND BATTERY CABINETS (SEE CHART).
- △ 9. USE FLEXIBLE CONDUIT WITH SUFFICIENT LENGTH TO ALLOW THE UNIT TO BE MOVED OUT FOR SERVICE.

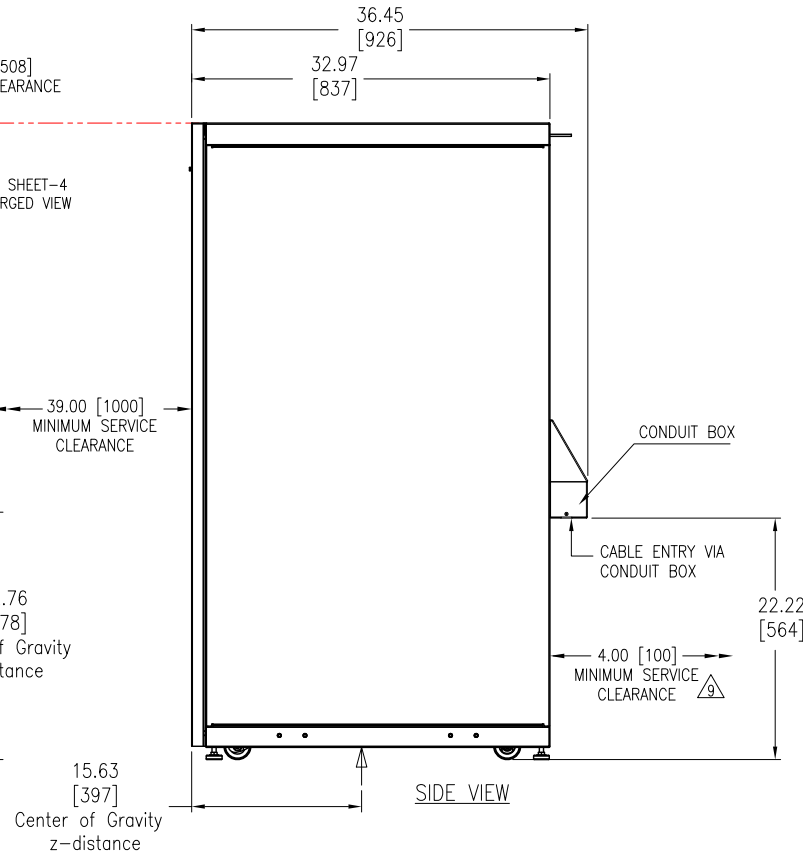
RUN-TIME CHART AT 0.8 PF		
BATTERY POSITION	NUMBER OF BATTERY MODULES	RUN-TIME IN MINUTES
△ SUVTP15KF3B4	3	18
SUVTP15KF3B4+(1)SYBT4	4	27
SUVTP15KF3B4+(1)SYBT4+(1)SUVTBXR2B6S	6	47
SUVTP15KF3B4+(1)SYBT4+(1)SUVTBXR2B6S+(1)SYBT4	7	57
SUVTP15KF3B4+(1)SYBT4+(1)SUVTBXR2B6S+(2)SYBT4	8	67
SUVTP15KF3B4+(1)SYBT4+(1)SUVTBXR2B6S+(3)SYBT4	9	78
SUVTP15KF3B4+(1)SYBT4+(1)SUVTBXR6B6S	10	89
SUVTP15KF3B4+(1)SYBT4+(2)SUVTBXR6B6S	16	159
SUVTP15KF3B4+(1)SYBT4+(3)SUVTBXR6B6S	22	235
SUVTP15KF3B4+(1)SYBT4+(4)SUVTBXR6B6S	28	315



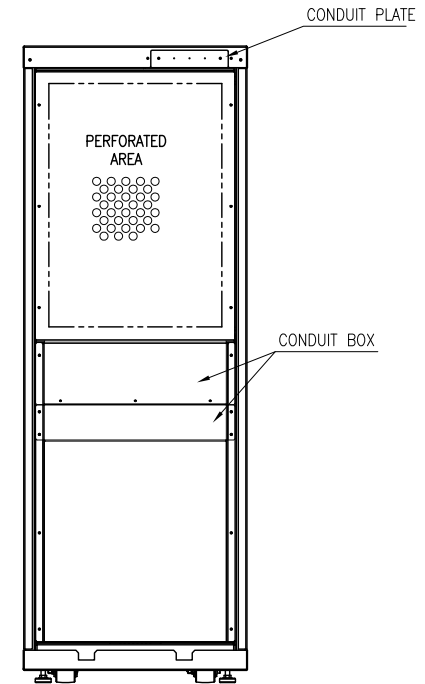
TOP VIEW



FRONT VIEW



SIDE VIEW



REAR VIEW

THIS DRAWING AND SPECIFICATIONS HEREIN ARE THE PROPERTY OF SCHNEIDER ELECTRIC AND SHALL NOT BE COPIED, REPRODUCED OR USED IN WHOLE OR IN PART, AS THE BASIS FOR THE MANUFACTURE OR SALE OF ITEMS WITHOUT WRITTEN PERMISSION FROM SCHNEIDER ELECTRIC. THIS DRAWING IS BASED UPON LATEST AVAILABLE INFORMATION AND IS SUBJECT TO CHANGE WITHOUT NOTICE.



TITLE: SMART-UPS VT, PARALLEL CAPABLE
15kVA, 208/120VAC, 3Ø
w/ (3) BATTERY MODULES, EXPANDABLE TO 4
MAIN MECHANICAL

PROJECT: SUBMITTAL DRAWING SHEET: 1 OF 5

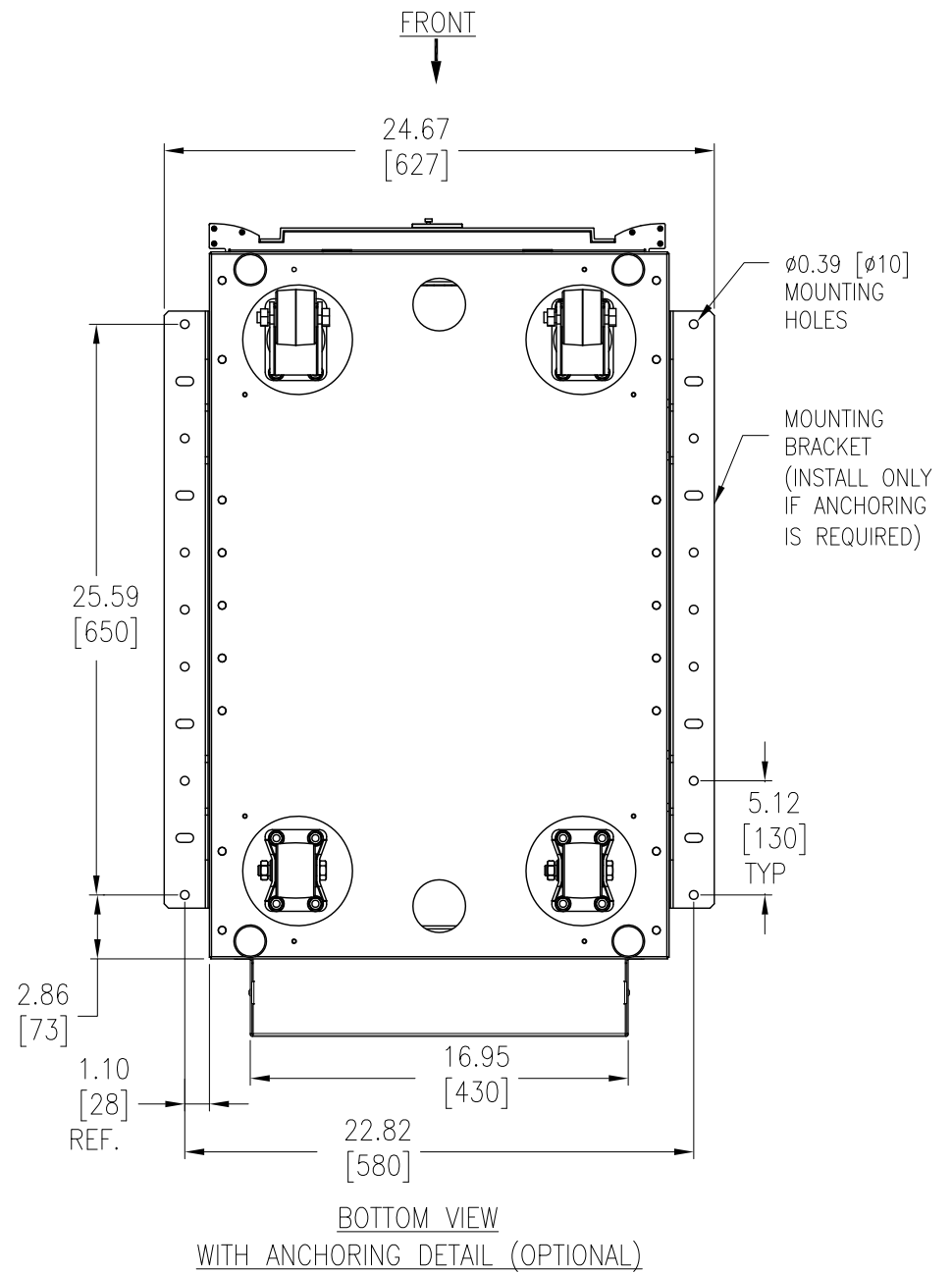
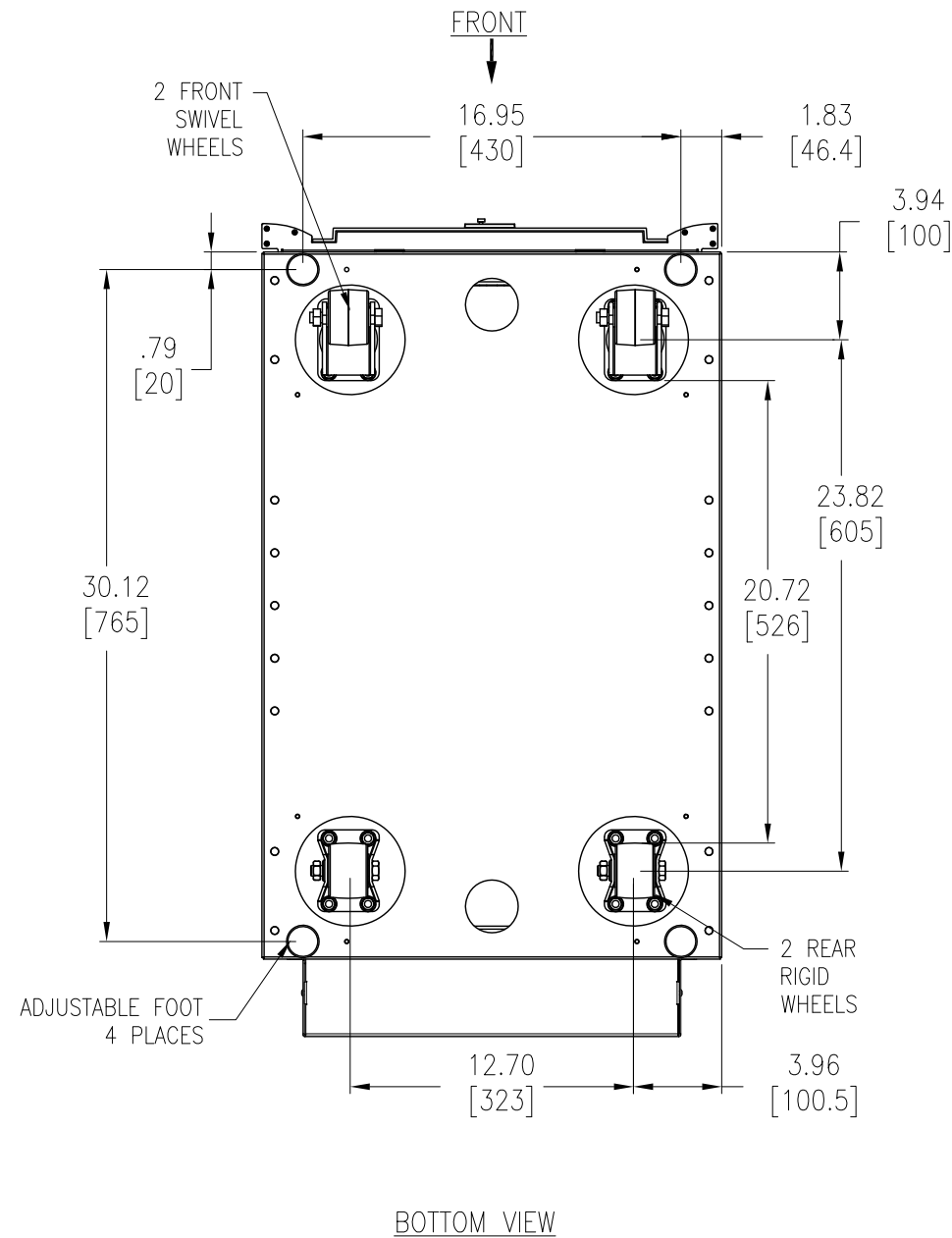
DWG NO: SUVTP15KF3B4 REV. 1

DRAWN: JAYAPRAKASH/S CUNHA 30JAN2015

ENGINEER: D PETERSEN 08AUG2008

APPROVED: B SHERIDAN/E SILVA 08AUG2008

THIRD ANGLE PROJ



NOTES:

1. INSTALLATION MUST COMPLY WITH ALL APPLICABLE NATIONAL AND LOCAL CODES.
2. PLEASE REFER TO INSTALLATION MANUAL FOR DETAILED INFORMATION.
3. UNLESS OTHERWISE SPECIFIED, ALL DIMENSIONS ARE IN INCHES [MILLIMETERS].

THIS DRAWING AND SPECIFICATIONS HEREIN ARE THE PROPERTY OF SCHNEIDER ELECTRIC AND SHALL NOT BE COPIED, REPRODUCED OR USED IN WHOLE OR IN PART, AS THE BASIS FOR THE MANUFACTURE OR SALE OF ITEMS WITHOUT WRITTEN PERMISSION FROM SCHNEIDER ELECTRIC. THIS DRAWING IS BASED UPON LATEST AVAILABLE INFORMATION AND IS SUBJECT TO CHANGE WITHOUT NOTICE.



TITLE: SMART-UPS VT, PARALLEL CAPABLE
15kVA, 208/120VAC, 3Ø
w/ (3) BATTERY MODULES, EXPANDABLE TO 4
BOTTOM VIEW & ANCHORING DETAILS

DWG NO: **SUVTP15KF3B4** REV. 1

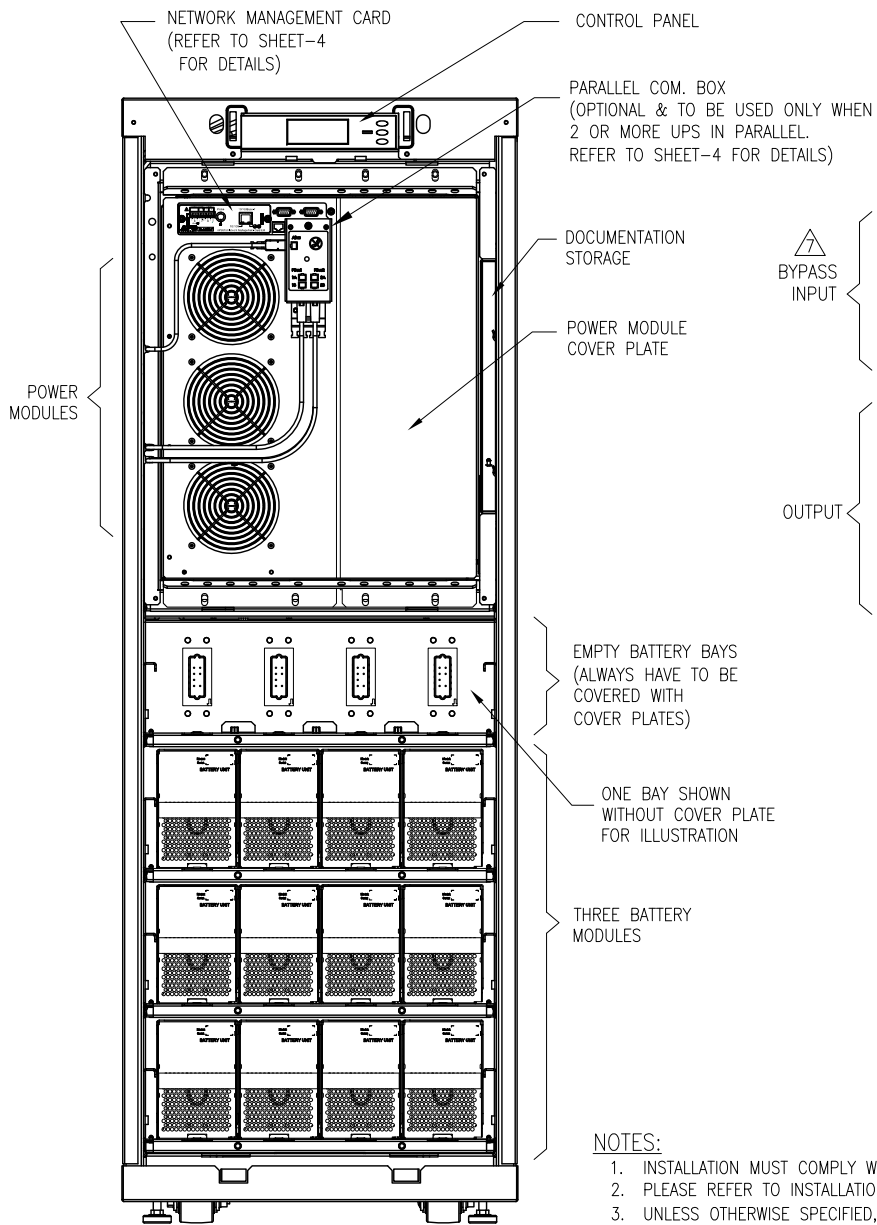
DRAWN: JAYAPRAKASH/S CUNHA 30JAN2015

ENGINEER: D PETERSEN 08AUG2008

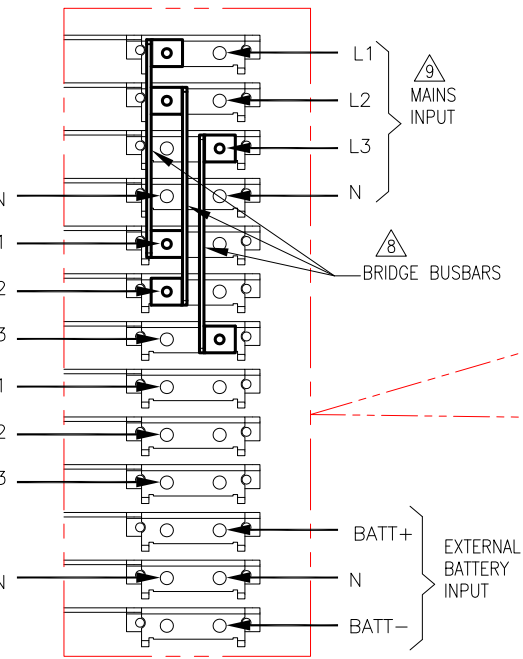
APPROVED: B SHERIDAN/E SILVA 08AUG2008

PROJECT: SUBMITTAL DRAWING SHEET: 2 OF 5

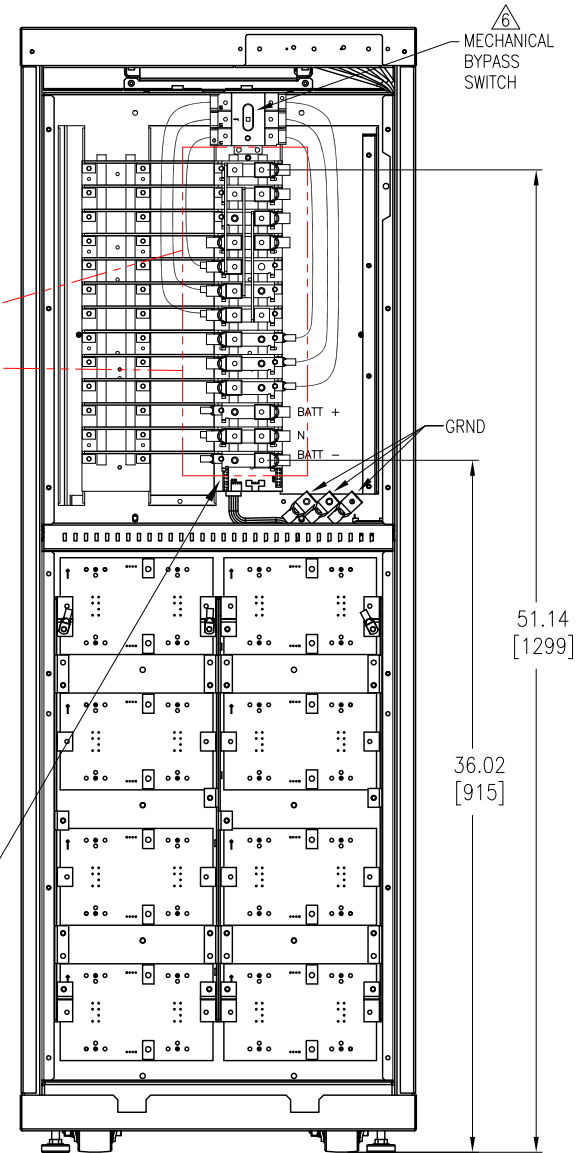
THIRD ANGLE PROJ



FRONT VIEW
PANEL REMOVED



INPUT-OUTPUT CONNECTIONS
(ENLARGED VIEW)



REAR VIEW
PANEL REMOVED

NOTES:

1. INSTALLATION MUST COMPLY WITH ALL APPLICABLE NATIONAL AND LOCAL CODES.
2. PLEASE REFER TO INSTALLATION MANUAL FOR DETAILED INFORMATION.
3. UNLESS OTHERWISE SPECIFIED, ALL DIMENSIONS ARE IN INCHES [MILLIMETERS].
4. SOME STRUCTURAL DETAILS HAVE BEEN OMITTED FOR THE PURPOSE OF CLARITY.
5. SUVTP UPS IS DESIGNED FOR SINGLE AND DUAL MAINS. SINGLE MAINS INSTALLATION IS A DEFAULT.
- △ 6. THE MECHANICAL BYPASS SWITCH MUST BE REMOVED WHEN THE UPS IS TO RUN IN PARALLEL.
- △ 7. FOR DUAL MAINS ONLY.
- △ 8. TO BE REMOVED FOR DUAL MAINS INSTALLATION.
- △ 9. MAINS INPUT SHOULD FEED NEUTRAL FOR SINGLE MAINS CONFIGURATION ONLY.
FOR DUAL MAINS CONFIGURATION MAINS INPUT SHOULD NOT FEED THE NEUTRAL.

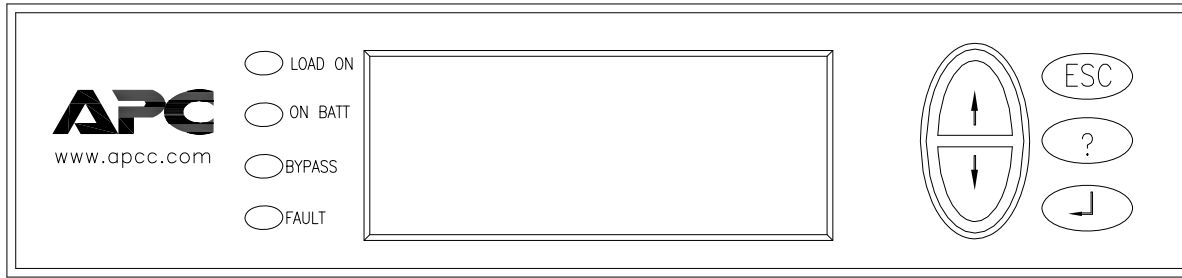
THIS DRAWING AND SPECIFICATIONS HEREIN ARE THE PROPERTY OF SCHNEIDER ELECTRIC AND SHALL NOT BE COPIED, REPRODUCED OR USED IN WHOLE OR IN PART, AS THE BASIS FOR THE MANUFACTURE OR SALE OF ITEMS WITHOUT WRITTEN PERMISSION FROM SCHNEIDER ELECTRIC. THIS DRAWING IS BASED UPON LATEST AVAILABLE INFORMATION AND IS SUBJECT TO CHANGE WITHOUT NOTICE.



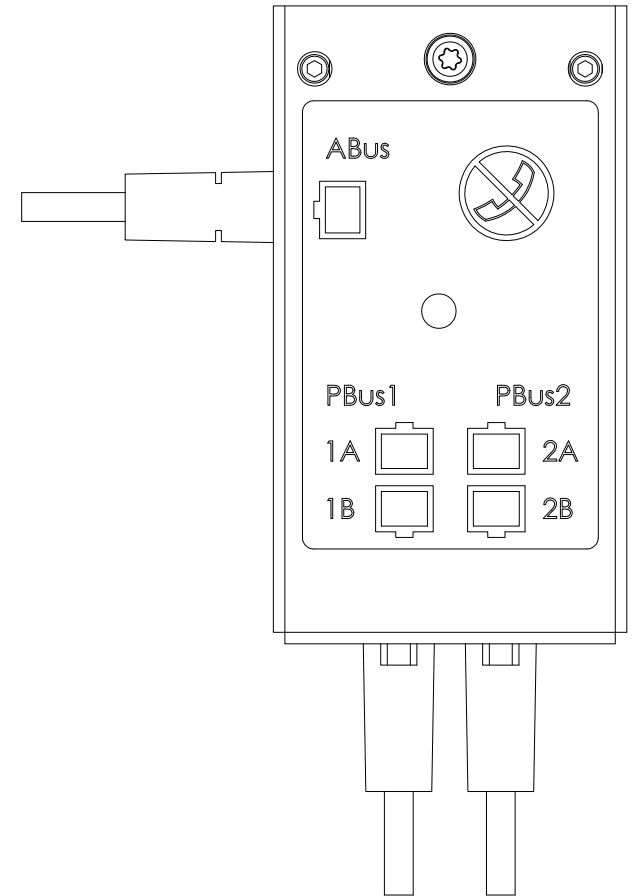
TITLE:
SMART-UPS VT, PARALLEL CAPABLE
15kVA, 208/120VAC, 3Ø
w/ (3) BATTERY MODULES, EXPANDABLE TO 4
INTERNAL VIEWS

PROJECT: SUBMITTAL DRAWING SHEET: 3 OF 5

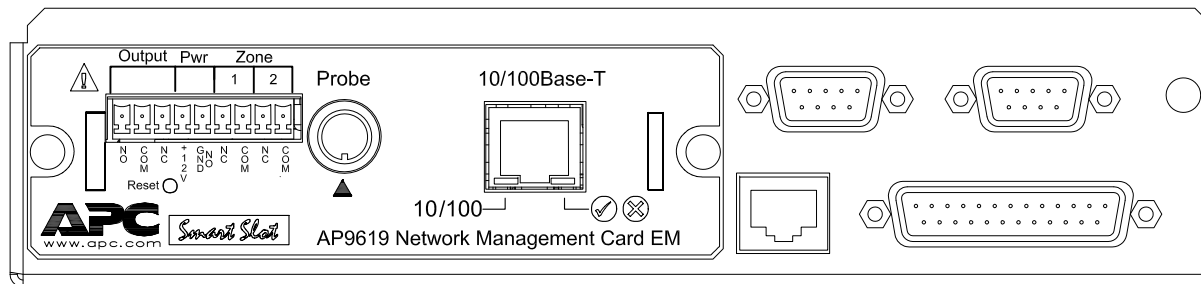
DWG NO:	SUVTP15KF3B4		REV.	2
DRAWN:	JAYAPRAKASH/SUNHA/BALA	19NOV2015	THIRD ANGLE PROJ	
ENGINEER:	D PETERSEN	19NOV2015		
APPROVED:	M MAISSY/E SILVA	19NOV2015		



CONTROL PANEL



PARALLEL COMMUNICATION BOX
(OPTIONAL)



NETWORK MANAGEMENT CARD

NOTES:

1. INSTALLATION MUST COMPLY WITH ALL APPLICABLE NATIONAL AND LOCAL CODES.
2. PLEASE REFER TO INSTALLATION MANUAL FOR DETAILED INFORMATION.

THIS DRAWING AND SPECIFICATIONS HEREIN ARE THE PROPERTY OF SCHNEIDER ELECTRIC AND SHALL NOT BE COPIED, REPRODUCED OR USED IN WHOLE OR IN PART, AS THE BASIS FOR THE MANUFACTURE OR SALE OF ITEMS WITHOUT WRITTEN PERMISSION FROM SCHNEIDER ELECTRIC. THIS DRAWING IS BASED UPON LATEST AVAILABLE INFORMATION AND IS SUBJECT TO CHANGE WITHOUT NOTICE.



TITLE: SMART-UPS VT, PARALLEL CAPABLE
15kVA, 208/120VAC, 3Ø
w/ (3) BATTERY MODULES, EXPANDABLE TO 4
CONTROL PANEL & NMC DETAILS

PROJECT: SUBMITTAL DRAWING SHEET: 4 OF 5

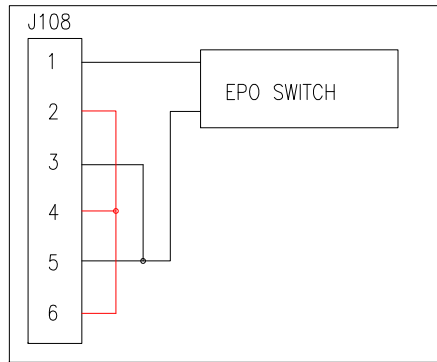
DWG NO: **SUVTP15KF3B4** REV. 1

DRAWN: JAYAPRAKASH/S CUNHA	30JAN2015	PROJ ANGLE N/A
ENGINEER: D PETERSEN	08AUG2008	
APPROVED: B SHERIDAN/E SILVA	08AUG2008	

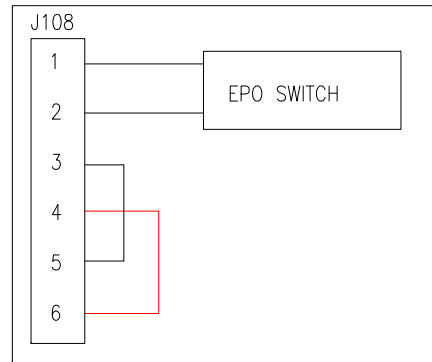
EPO WIRING OPTIONS (J108)

CONNECT THE EPO CABLE, USING ONE OF THE FOLLOWING 4 WIRING CONFIGURATIONS.

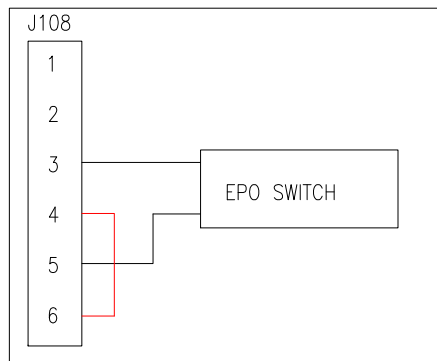
1: DRY NORMALLY OPEN CONTACTS



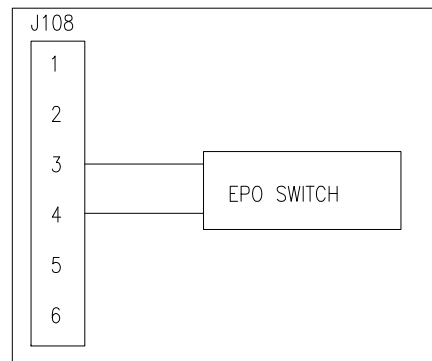
2: +24V NORMALLY OPEN



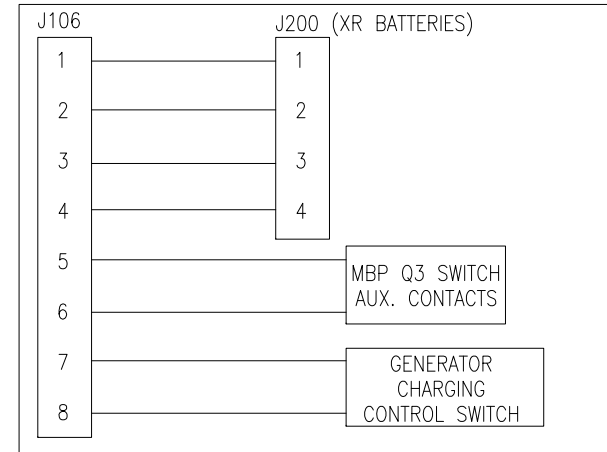
3: DRY NORMALLY CLOSED CONTACTS



4: +24V NORMALLY CLOSED



XR ENCLOSURE, APC MBP, AND GENERATOR CONTROL WIRING (J106)



NOTES:

1. INSTALLATION MUST COMPLY WITH ALL APPLICABLE NATIONAL AND LOCAL CODES.
2. PLEASE REFER TO INSTALLATION MANUAL FOR DETAILED INFORMATION.
3. FOR COMMUNICATION CABLES USE ONLY 28-16AWG COPPER WIRE, RATED MINIMUM 250V.

THIS DRAWING AND SPECIFICATIONS HEREIN ARE THE PROPERTY OF SCHNEIDER ELECTRIC AND SHALL NOT BE COPIED, REPRODUCED OR USED IN WHOLE OR IN PART, AS THE BASIS FOR THE MANUFACTURE OR SALE OF ITEMS WITHOUT WRITTEN PERMISSION FROM SCHNEIDER ELECTRIC. THIS DRAWING IS BASED UPON LATEST AVAILABLE INFORMATION AND IS SUBJECT TO CHANGE WITHOUT NOTICE.



TITLE: SMART-UPS VT, PARALLEL CAPABLE
15kVA, 208/120VAC, 3Ø
w/ (3) BATTERY MODULES, EXPANDABLE TO 4
COMMUNICATION BOARD WIRING DIAGRAM OPTIONS

DWG NO: SUVTP15KF3B4 REV. 1

DRAWN: JAYAPRAKASH/S CUNHA 30JAN2015

ENGINEER: D PETERSEN 08AUG2008

APPROVED: B SHERIDAN/E SILVA 08AUG2008

PROJ ANGLE N/A

PROJECT: SUBMITTAL DRAWING SHEET: 5 OF 5