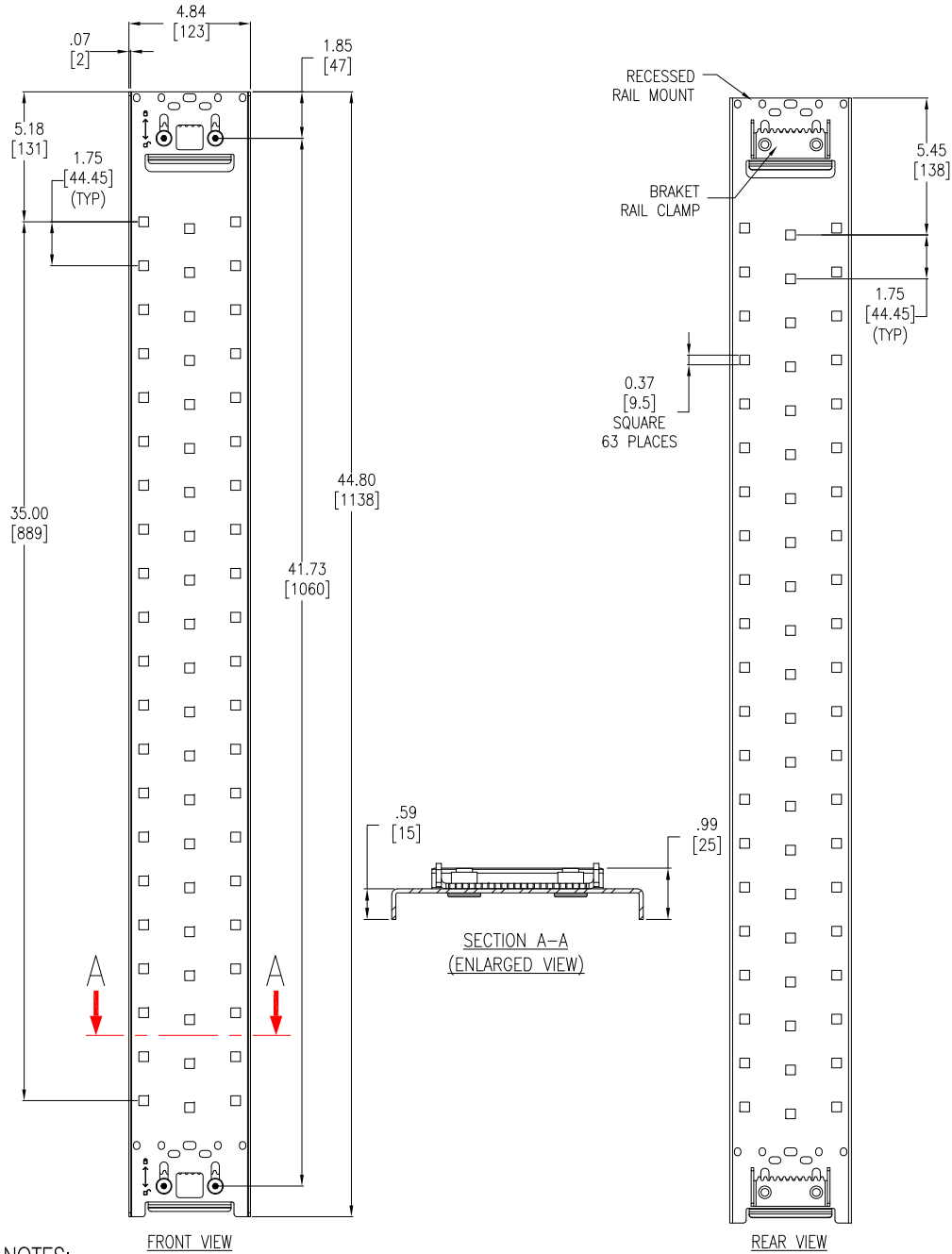


RECESSED RAIL MOUNT (QTY.: 2 PIECES)



NOTES:

1. INSTALLATION SHALL COMPLY WITH ALL APPLICABLE NATIONAL AND LOCAL CODES.
2. SEE PRODUCT DOCUMENTATION FOR FURTHER INFORMATION.
3. UNLESS OTHERWISE SPECIFIED, ALL DIMENSIONS ARE IN INCHES [MILLIMETERS].
4. WEIGHT OF UNIT IS 22.92 LBS [10.42 kg].

THIS DRAWING AND SPECIFICATIONS HEREIN ARE THE PROPERTY OF SCHNEIDER ELECTRIC AND SHALL NOT BE COPIED, REPRODUCED OR USED IN WHOLE OR IN PART, AS THE BASIS FOR THE MANUFACTURE OR SALE OF ITEMS WITHOUT WRITTEN PERMISSION FROM SCHNEIDER ELECTRIC. THIS DRAWING IS BASED UPON LATEST AVAILABLE INFORMATION AND IS SUBJECT TO CHANGE WITHOUT NOTICE.



TITLE: RECESSED RAIL KIT
NETSHELTER SX, 48U, 750mm WIDE
MAIN MECHANICAL

PROJECT: STD SUBMITTAL DRAWINGS SHEET 1 OF 2

DWG NO: **AR7578**

DRAWN BY: JAYAPRAKASH 19-NOV-07

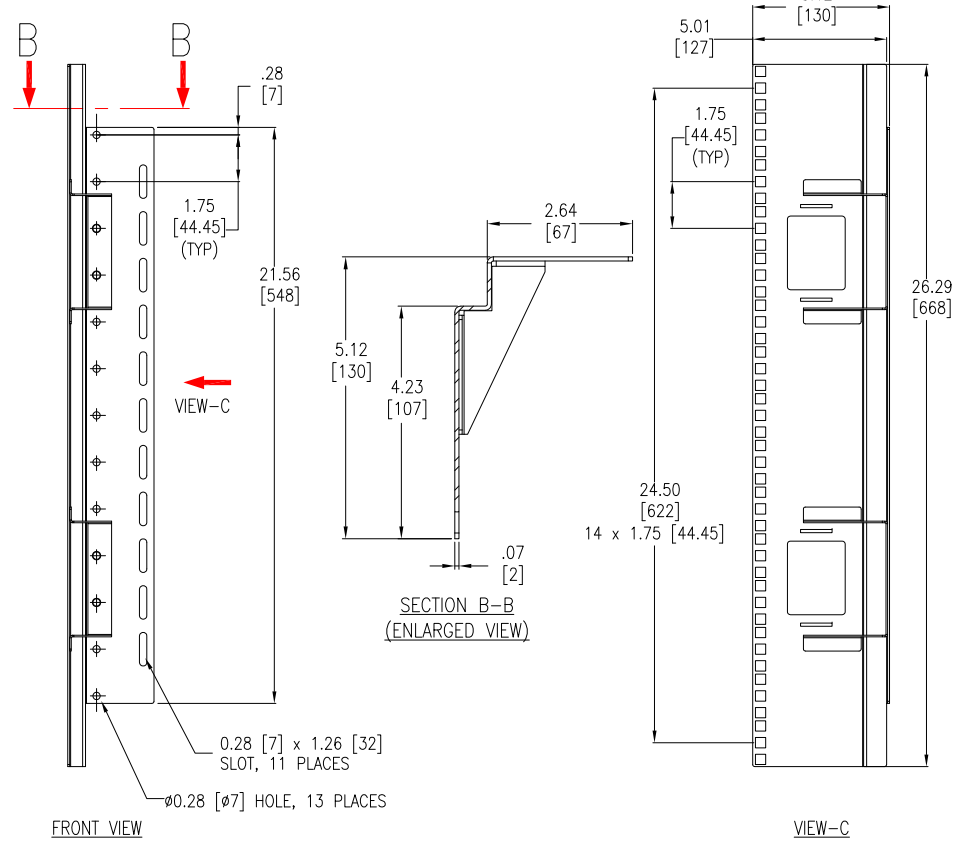
ENGINEER: M UHRHAN/B OLIVER 30-NOV-07

APPROVED BY: B SHERIDAN/SILVIO LARSEN/S HOSH 30-NOV-07

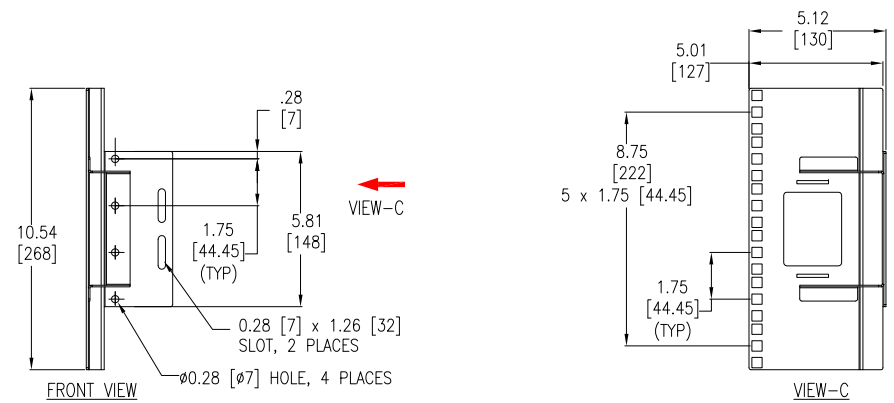
REV 0

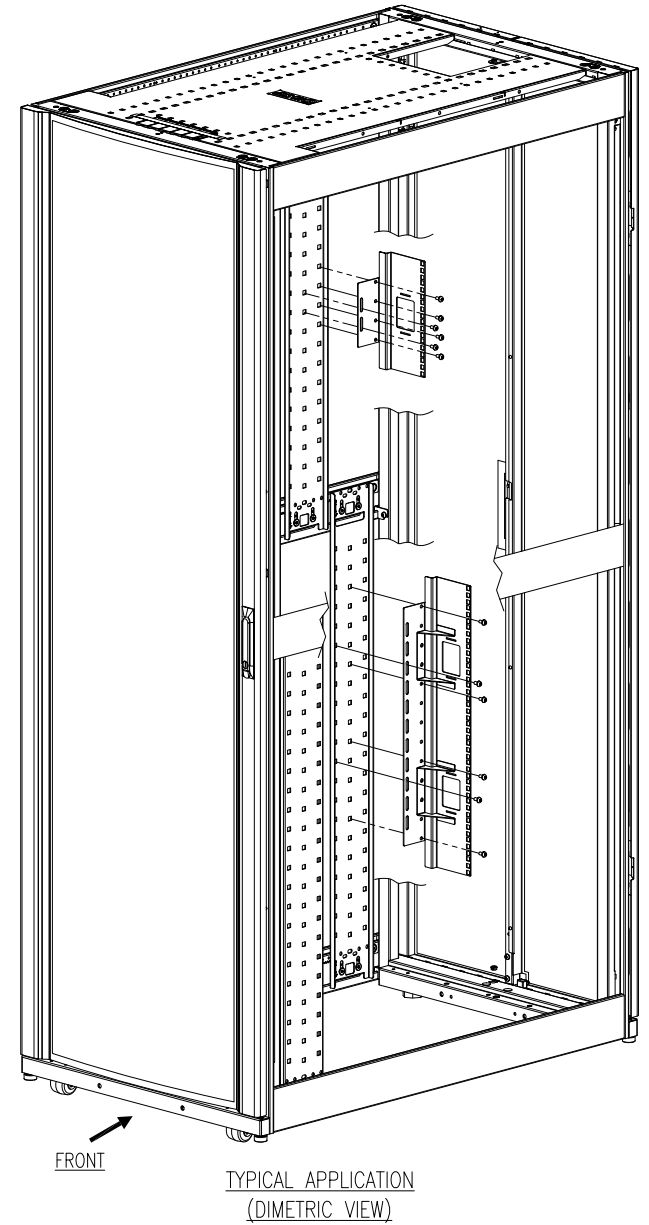
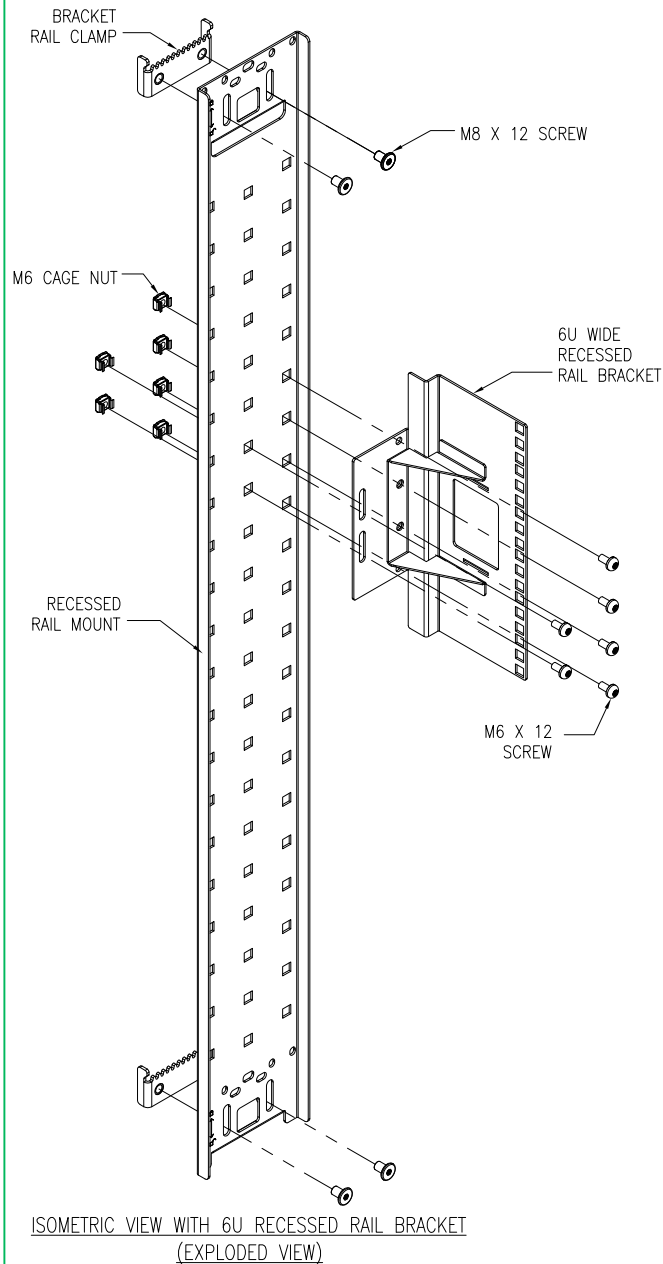
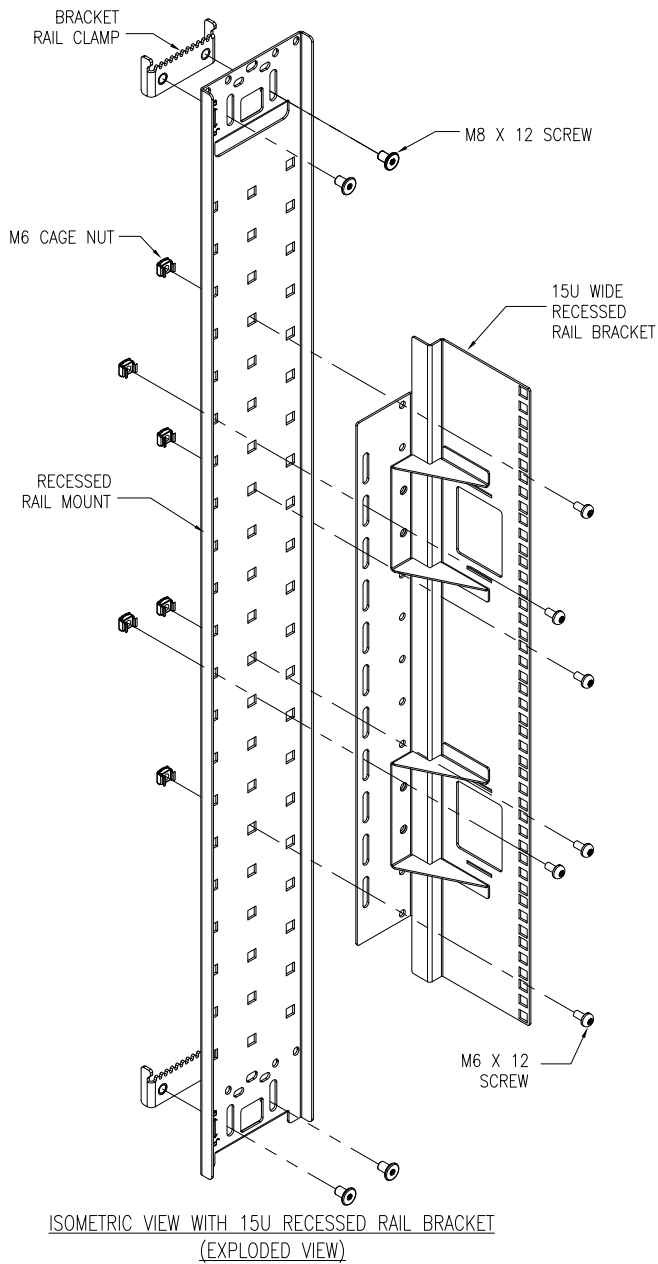
THIRD ANGLE PROJ

15U RECESSED RAIL BRACKET (QTY.: 2 PIECES)



6U RECESSED RAIL BRACKET (QTY.: 2 PIECES)





NOTES:

1. INSTALLATION SHALL COMPLY WITH ALL APPLICABLE NATIONAL AND LOCAL CODES.
2. SEE PRODUCT DOCUMENTATION FOR FURTHER INFORMATION.
3. UNLESS OTHERWISE SPECIFIED, ALL DIMENSIONS ARE IN INCHES [MILLIMETERS].
4. WEIGHT OF UNIT IS 22.92 LBS [10.42 kg].

THIS DRAWING AND SPECIFICATIONS HEREIN ARE THE PROPERTY OF SCHNEIDER ELECTRIC AND SHALL NOT BE COPIED, REPRODUCED OR USED IN WHOLE OR IN PART, AS THE BASIS FOR THE MANUFACTURE OR SALE OF ITEMS WITHOUT WRITTEN PERMISSION FROM SCHNEIDER ELECTRIC. THIS DRAWING IS BASED UPON LATEST AVAILABLE INFORMATION AND IS SUBJECT TO CHANGE WITHOUT NOTICE.



TITLE: RECESSED RAIL KIT
NETSHELTER SX, 48U, 750mm WIDE
ISOMETRIC VIEWS

PROJECT: STD SUBMITTAL DRAWINGS SHEET 2 OF 2

DWG NO: **AR7578**

DRAWN BY: JAYAPRAKASH 19-NOV-07

ENGINEER: M UHRHAN/B OLIVER 30-NOV-07

APPROVED BY: B SHERIDANE SILLWIC/LARENS/WAGH 30-NOV-07

REV 0

PROJ ANGLE N/A