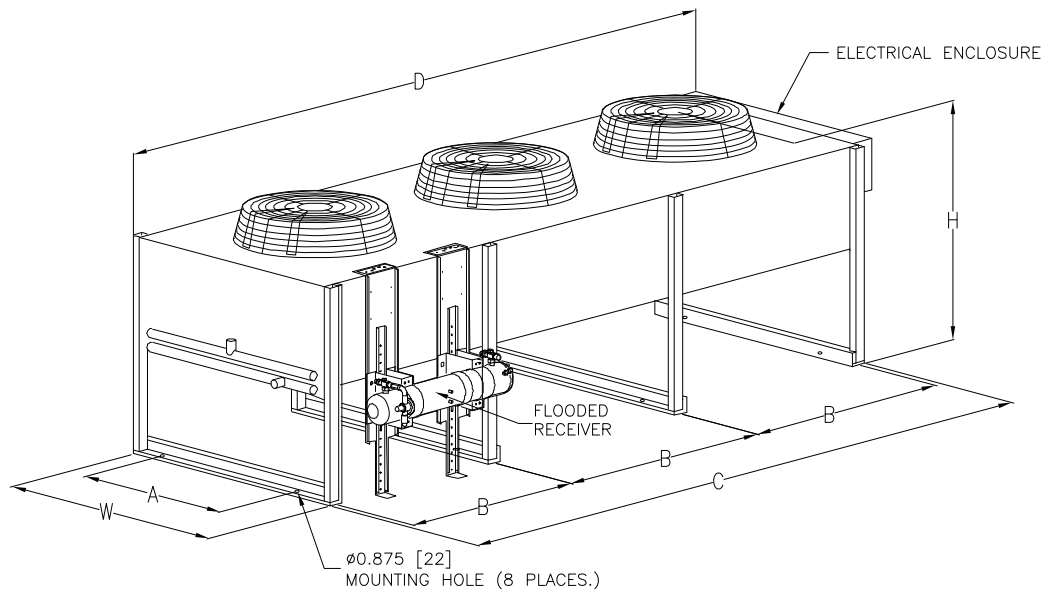
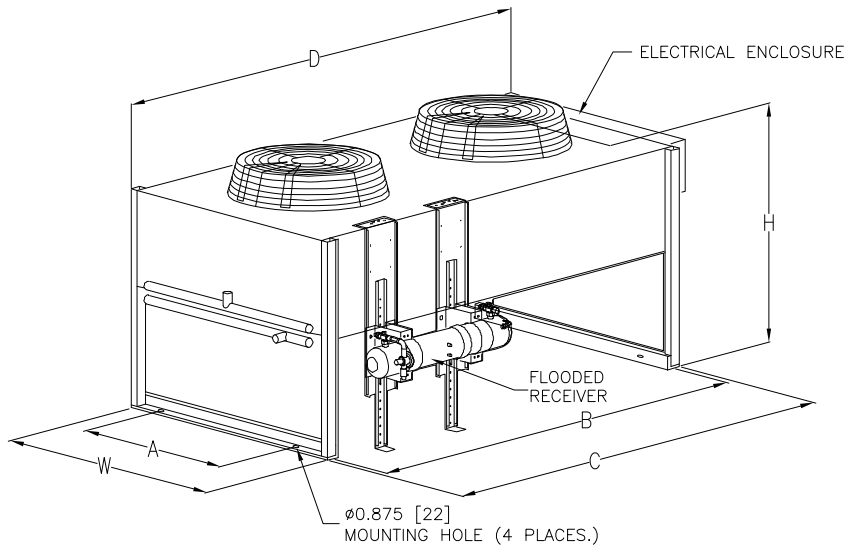


SKU#: ACCD75201 and ACCD75204



SKU#: ACCD75203 and ACCD75206



SKU#: ACCD75202 and ACCD75205

CONDENSER SKU#	FLOODED RECIEVER SKU#	REFRIGERANT (R407C) CAPACITY LBS [KG]	FLOODED RECIEVER SHIPPING WEIGHT LBS [KG]	DIAMETER IN	LENGTH IN [MM]
ACCD75201 & ACCD75204	ACAC75004	36.5 [16.5]	46 [20.90]	6-5/8	38 [965]
ACCD75202 & ACCD75205	ACAC75005	58.0 [26.3]	69 [31.36]	8-5/8	36 [914]
ACCD75203 & ACCD75206	ACAC75006	99.2 [45.0]	112 [50.90]	8-5/8	60 [1524]

SL. NO.	SKU#	VOLTAGE/PH/FREQUENCY(HZ)	NET WEIGHT LBS [KG]	"A" IN [MM]	"B" IN [MM]	"C" IN [MM]	"D" IN [MM]	"H" IN [MM]	"W" IN [MM]
1	ACCD75201	208-230/3/60	360 [163]	38.00 [965]	53.00 [1346]	59.00 [1499]	73.00 [1854]	49.13 [1248]	45.43 [1154]
2	ACCD75202	208-230/3/60	640 [290]	38.00 [965]	106.00 [2692]	112.00 [2845]	127.00 [3226]	49.13 [1248]	45.43 [1154]
3	ACCD75203	208-230/3/60	1010 [458]	38.00 [965]	53.00 [1346]	165.00 [4191]	180.00 [4572]	49.13 [1248]	45.43 [1154]
4	ACCD75204	460-480/3/60	360 [163]	38.00 [965]	53.00 [1346]	59.00 [1499]	73.00 [1854]	49.13 [1248]	45.43 [1154]
5	ACCD75205	460-480/3/60	640 [290]	38.00 [965]	106.00 [2692]	112.00 [2845]	127.00 [3226]	49.13 [1248]	45.43 [1154]
6	ACCD75206	460-480/3/60	1010 [458]	38.00 [965]	53.00 [1346]	165.00 [4191]	180.00 [4572]	49.13 [1248]	45.43 [1154]

NOTES:

1. INSTALLATION SHALL COMPLY WITH ALL APPLICABLE NATIONAL, STATE AND LOCAL CODES.
2. SEE PRODUCT DOCUMENTATION FOR FURTHER INFORMATION.
3. UNLESS OTHERWISE SPECIFIED, ALL DIMENSIONS ARE IN INCHES [MILLIMETERS].

THIS DRAWING AND SPECIFICATIONS HEREIN ARE THE PROPERTY OF SCHNEIDER ELECTRIC AND SHALL NOT BE COPIED, REPRODUCED OR USED IN WHOLE OR IN PART, AS THE BASIS FOR THE MANUFACTURE OR SALE OF ITEMS WITHOUT WRITTEN PERMISSION FROM SCHNEIDER ELECTRIC. THIS DRAWING IS BASED UPON LATEST AVAILABLE INFORMATION AND IS SUBJECT TO CHANGE WITHOUT NOTICE.



TITLE:

InfraStruXure
INROW RP
CONDENSER
MAIN MECHANICAL

PROJECT: STD SUBMITTAL DRAWINGS SHEET 1 OF 4

DWG NO:

ACCD75201-75206-MM1

DRAWN BY:

V BUSH 27-SEP-10

ENGINEER: M FRACCO/C BASSEN/M BROWN

27-SEP-10

APPROVED BY: C CUMMISKEY/C ZALDIVAR

27-SEP-10

REV. 2

THIRD
ANGLE
PROJ

Charging with Refrigerant (R407C)

SL. No.	SKU#	Selected ambient temp. in °F (°C)	Condenser summer charge in lb (kg)	Condenser flooded charge in lb (kg) for different minimum outdoor ambient temperatures				
				40°F (4°C) amb.	20°F (-7°C) amb.	0°F (-18°C) amb.	-20°F (-29°C) amb.	-40°F (-40°C) amb.
1	ACCD75201	95 (35)	10 (4.5)	21.3 (9.7)	23.5 (10.7)	24.7 (11.2)	25.6 (11.6)	28.0 (12.7)
2	ACCD75202	105 (40)	15 (6.8)	31.2 (14.2)	34.3 (15.6)	36.1 (16.4)	37.4 (17.0)	41.0 (18.6)
3	ACCD75203	115 (46)	30 (13.6)	61.8 (28.0)	68.0 (30.8)	71.5 (32.4)	74.1 (33.6)	81.2 (36.8)
4	ACCD75204	95 (35)	10 (4.5)	21.3 (9.7)	23.5 (10.7)	24.7 (11.2)	25.6 (11.6)	28.0 (12.7)
5	ACCD75205	105 (40)	15 (6.8)	31.2 (14.2)	34.3 (15.6)	36.1 (16.4)	37.4 (17.0)	41.0 (18.6)
6	ACCD75206	115 (46)	30 (13.6)	61.8 (28.0)	68.0 (30.8)	71.5 (32.4)	74.1 (33.6)	81.2 (36.8)

Total charge = Equipment charge+Condenser summer charge+Condenser flooded charge (for minimum possible ambient temperature)+Liquid R407C in liquid pipe.

Equipment charge = 20lb (9kg): Liquid line charge for 3/4" od ACR copper tube is 0.16 lbs/1ft (0.23kg/1meter)
Liquid line charge for 7/8" od ACR copper tube is 0.22 lbs/1ft (0.32kg/1meter)

Air Flow details

SL. No.	SKU#	Air quantity CFM (litre/s)	Fan
1	ACCD75201	10500 (4955)	1
2	ACCD75202	22000 (10383)	2
3	ACCD75203	31400 (14819)	3
4	ACCD75204	10500 (4955)	1
5	ACCD75205	22000 (10383)	2
6	ACCD75206	31400 (14819)	3

Specifications given for conditions at sea level

Electrical Data

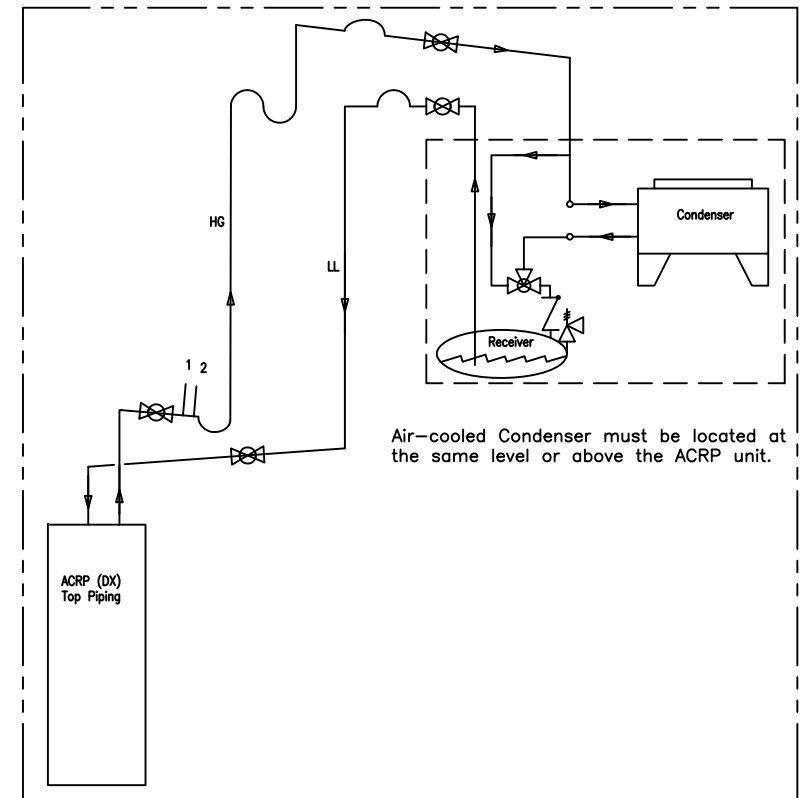
SL. No.	SKU#	Voltage/PH/Frequency(Hz)	FLA	MCA	MOP
1	ACCD75201	208-230/3/60	7.0	15.0	25
2	ACCD75202	208-230/3/60	14.0	20.0	35
3	ACCD75203	208-230/3/60	21.0	22.8	40
4	ACCD75204	460-480/3/60	3.5	15.0	15
5	ACCD75205	460-480/3/60	7.0	15.0	15
6	ACCD75206	460-480/3/60	10.5	15.0	20

FLA = Full Load Amps
MCA = Minimum Circuit Amps
MOP = Maximum Overcurrent Protection

Piping Connection

	Connection	Type	Size in inches
ACCD75201	Refrigerant discharge line	sweat fitting	1-3/8
	Refrigerant liquid line	sweat fitting	1-3/8
ACCD75202	Refrigerant discharge line	sweat fitting	1-5/8
	Refrigerant liquid line	sweat fitting	1-5/8
ACCD75203	Refrigerant discharge line	sweat fitting	2-1/8
	Refrigerant liquid line	sweat fitting	2-1/8
ACCD75204	Refrigerant discharge line	sweat fitting	1-3/8
	Refrigerant liquid line	sweat fitting	1-3/8
ACCD75205	Refrigerant discharge line	sweat fitting	1-5/8
	Refrigerant liquid line	sweat fitting </td <td>1-5/8</td>	1-5/8
ACCD75206	Refrigerant discharge line	sweat fitting	2-1/8
	Refrigerant liquid line	sweat fitting	2-1/8

Piping Diagram



Legend

	Steel or Copper Tubing		"S" trap
	Shutoff valve (field installed)		Inverted trap
	Head pressure control valve	1	Pitch in direction of refrigerant flow, 1/2 inch per 10 ft (4 mm per m)
	Pressure Relief Valve	2	Reduction of piping diameter for vertical piping run (if necessary)
	"P" trap		Check Valve

NOTES:

1. INSTALLATION SHALL COMPLY WITH ALL APPLICABLE NATIONAL, STATE AND LOCAL CODES.
2. SEE PRODUCT DOCUMENTATION FOR FURTHER INFORMATION.

THIS DRAWING AND SPECIFICATIONS HEREIN ARE THE PROPERTY OF SCHNEIDER ELECTRIC AND SHALL NOT BE COPIED, REPRODUCED OR USED IN WHOLE OR IN PART, AS THE BASIS FOR THE MANUFACTURE OR SALE OF ITEMS WITHOUT WRITTEN PERMISSION FROM SCHNEIDER ELECTRIC. THIS DRAWING IS BASED UPON LATEST AVAILABLE INFORMATION AND IS SUBJECT TO CHANGE WITHOUT NOTICE.

Schneider Electric

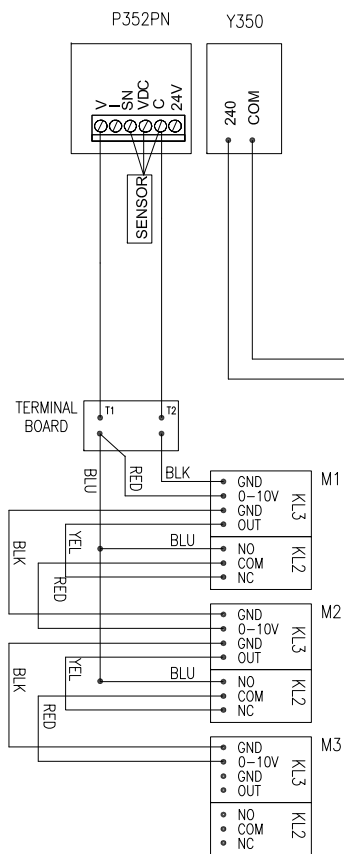
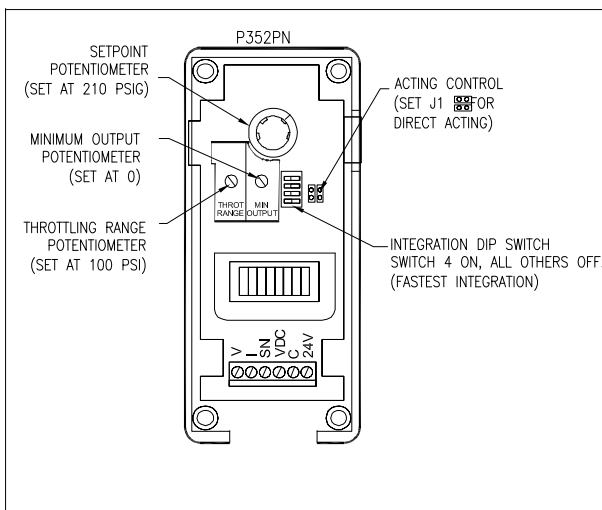
TITLE:
InfraStruXure
INROW RP
CONDENSER
TECHNICAL DATA & PIPING DIAGRAM
PROJECT: STD SUBMITTAL DRAWINGS SHEET 2 OF 4

DWG NO: ACCD75201-75206-ME1
DRAWN BY: V BUSH 27-SEP-10
ENGINEER: M FIACCO/C BASDEN/M BROWN 27-SEP-10
APPROVED BY: C CUMMISKEY/C ZALDIVAR 27-SEP-10

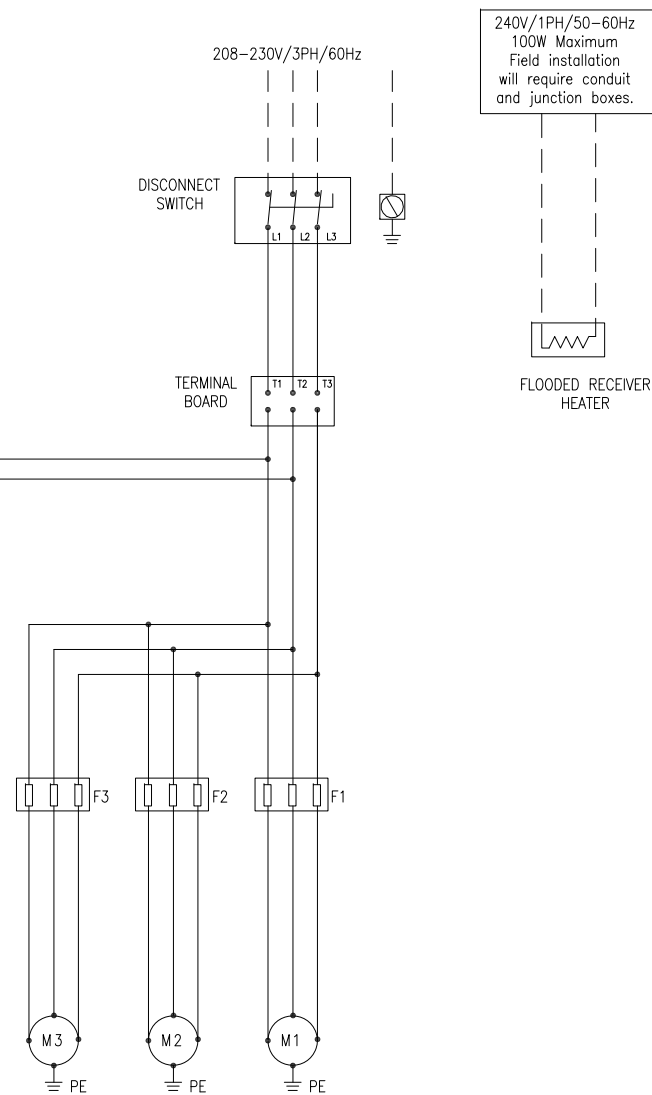
REV. 2
THIRD ANGLE PROJ

WIRING DIAGRAM

P352PN DETAILED VIEW



USE COPPER CONDUCTORS ONLY



LEGEND

M-FAN MOTOR PE-PROTECTIVE EARTH GROUND

— SOLID LINES INDICATE FACTORY WIRING

- - - DASHED LINES INDICATE FIELD WIRING

NOTES:

1. INSTALLATION SHALL COMPLY WITH ALL APPLICABLE NATIONAL, STATE AND LOCAL CODES.
2. SEE PRODUCT DOCUMENTATION FOR FURTHER INFORMATION.
3. UNIT SHALL BE GROUNDED.
4. UNIT SHALL BE FIELD FUSED, REFER TO UNIT DATA PLATE FOR VOLTAGE.
5. ALL MOTORS ARE INHERENTLY PROTECTED.
6. USE MINIMUM 90°C WIRE.
7. REFER TO LABEL ADJACENT TO FUSE HOLDER FOR REPLACEMENT.
8. STANDARD WIRE COLORS:
L1-BLACK/BROWN, L2-RED/ORANGE, L3-BLUE/YELLOW.
9. DEPENDING ON MODEL, UNIT MAY HAVE UP TO THREE FANS.

THIS DRAWING AND SPECIFICATIONS HEREIN ARE THE PROPERTY OF SCHNEIDER ELECTRIC AND SHALL NOT BE COPIED, REPRODUCED OR USED IN WHOLE OR IN PART, AS THE BASIS FOR THE MANUFACTURE OR SALE OF ITEMS WITHOUT WRITTEN PERMISSION FROM SCHNEIDER ELECTRIC. THIS DRAWING IS BASED UPON LATEST AVAILABLE INFORMATION AND IS SUBJECT TO CHANGE WITHOUT NOTICE.

Schneider Electric

TITLE: InfraStruXure INROW RP CONDENSER 230V WIRING DIAGRAM

PROJECT: STD SUBMITTAL DRAWINGS SHEET 3 OF 4

DWG NO: ACCD75201-75206-ME2

DRAWN BY: S CUNHA 23-NOV-10

ENGINEER: G DINGLEY/MF/CB/MB 20-DEC-10

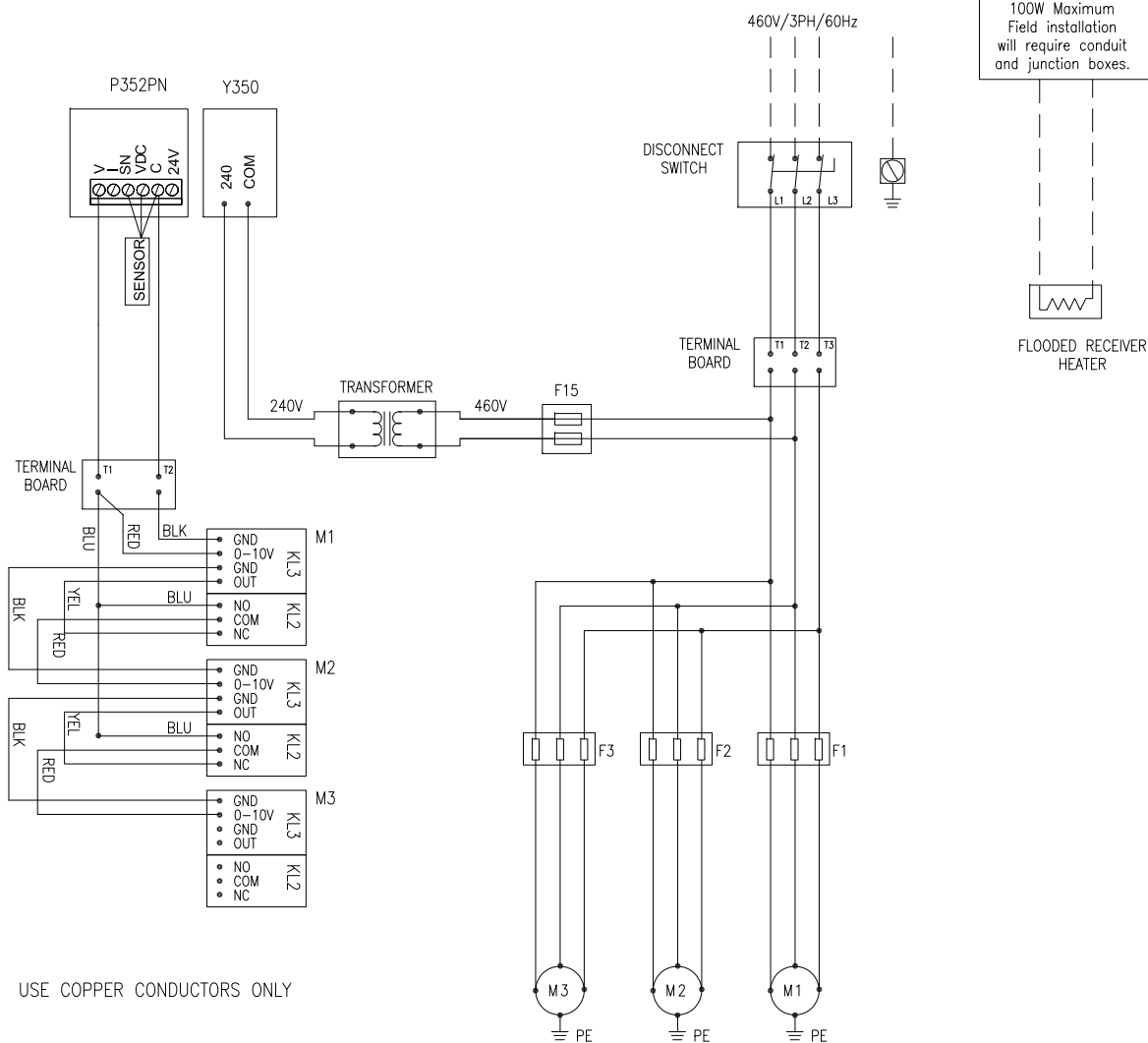
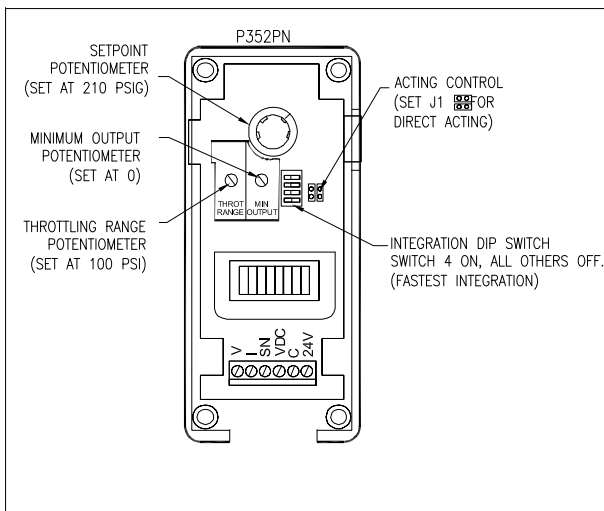
APPROVED BY: C CUMMISKEY 20-DEC-10

REV. 3

THIRD ANGLE PROJ

WIRING DIAGRAM

P352PN DETAILED VIEW



USE COPPER CONDUCTORS ONLY

NOTES:

1. INSTALLATION SHALL COMPLY WITH ALL APPLICABLE NATIONAL, STATE AND LOCAL CODES.
2. SEE PRODUCT DOCUMENTATION FOR FURTHER INFORMATION.
3. UNIT SHALL BE GROUNDED.
4. UNIT SHALL BE FIELD FUSED, REFER TO UNIT DATA PLATE FOR VOLTAGE.
5. ALL MOTORS ARE INHERENTLY PROTECTED.
6. USE MINIMUM 90°C WIRE.
7. REFER TO LABEL ADJACENT TO FUSE HOLDER FOR REPLACEMENT.
8. STANDARD WIRE COLORS:
L1-BLACK/BROWN, L2-RED/ORANGE, L3-BLUE/YELLOW.
9. DEPENDING ON MODEL, UNIT MAY HAVE UP TO THREE FANS.

LEGEND

M-FAN MOTOR PE-PROTECTIVE EARTH GROUND

- SOLID LINES INDICATE FACTORY WIRING
- - - DASHED LINES INDICATE FIELD WIRING

THIS DRAWING AND SPECIFICATIONS HEREIN ARE THE PROPERTY OF SCHNEIDER ELECTRIC AND SHALL NOT BE COPIED, REPRODUCED OR USED IN WHOLE OR IN PART, AS THE BASIS FOR THE MANUFACTURE OR SALE OF ITEMS WITHOUT WRITTEN PERMISSION FROM SCHNEIDER ELECTRIC. THIS DRAWING IS BASED UPON LATEST AVAILABLE INFORMATION AND IS SUBJECT TO CHANGE WITHOUT NOTICE.



TITLE: InfraStruXure INROW RP CONDENSER 460V WIRING DIAGRAM

PROJECT: STD SUBMITTAL DRAWINGS SHEET 4 OF 4

DWG NO: ACCD75201-75206-ME3

DRAWN BY: S CUNHA 23-NOV-10
 ENGINEER: G DINGLEY/MF/CB/MB 20-DEC-10
 APPROVED BY: C CUMMSKEY 20-DEC-10

REV. 3
 THIRD ANGLE PROJ