

NOTES:

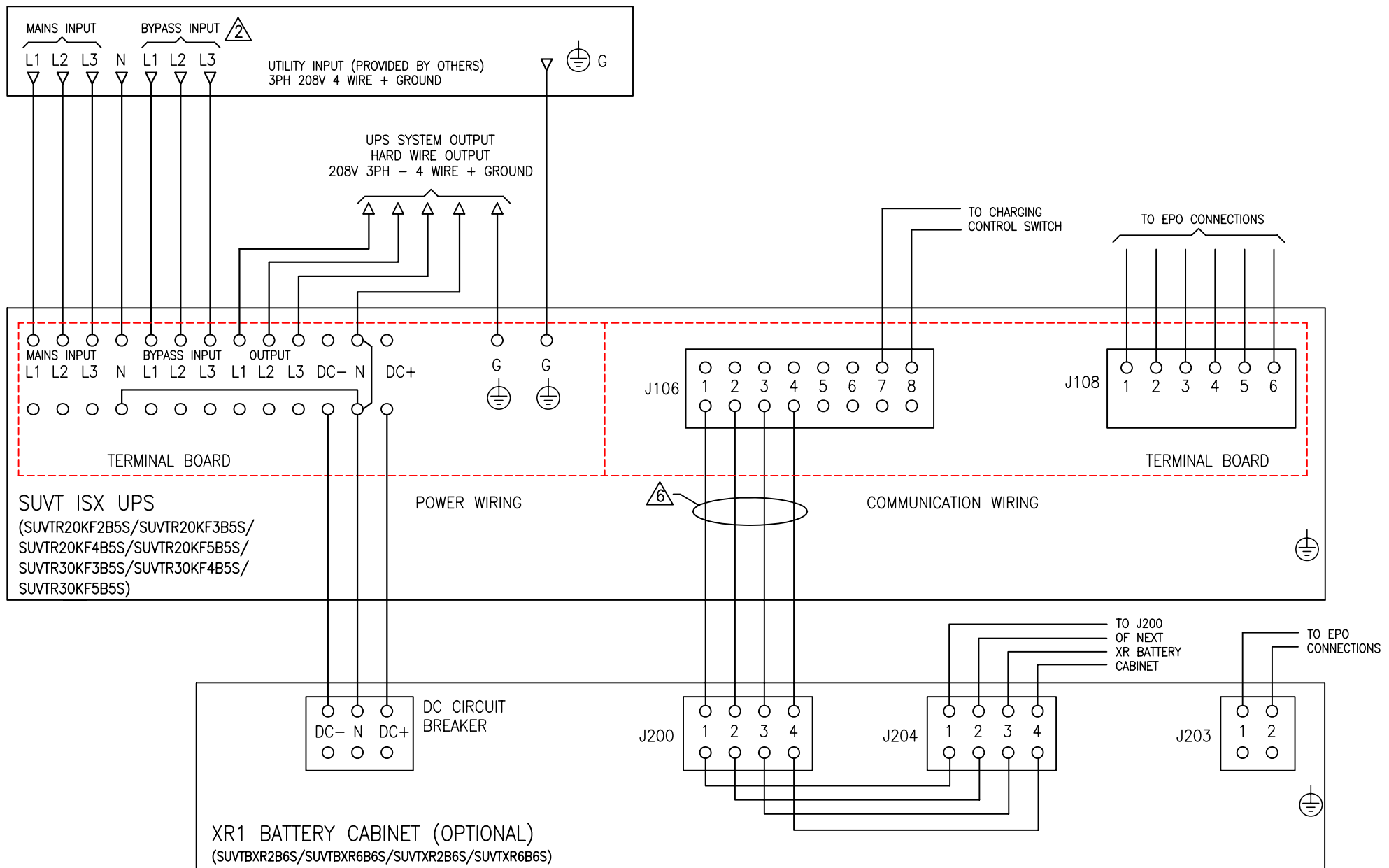
1. MUST BE 4 WIRE + GROUND PROVIDED WYE-SOURCE.
- △ 2. SINGLE MAINS INSTALLATION IS A DEFAULT.
FOR DUAL MAINS OPTION PLEASE REFER TO DRAWING# SUVTR20K30F2-WD FOR DETAILS
3. CABLING PROVIDED BY OTHERS.
4. ALL AC POWER CABLING IS 4 WIRE + GROUND AT 208VAC 3-PHASE.
5. POWER WIRING AND CONTROL WIRING MUST BE IN SEPARATE CONDUITS
- △ 6. THESE CONNECTIONS ARE APPLICABLE TO APC XR ENCLOSURE ONLY
7. INSTALLATION MUST COMPLY WITH ALL APPLICABLE NATIONAL AND LOCAL CODES

THIS DRAWING AND SPECIFICATIONS HEREIN ARE THE PROPERTY OF AMERICAN POWER CONVERSION AND SHALL NOT BE COPIED, REPRODUCED OR USED IN WHOLE OR IN PART, AS THE BASIS FOR THE MANUFACTURE OR SALE OF ITEMS WITHOUT WRITTEN PERMISSION FROM APC. THIS DRAWING IS BASED UPON LATEST AVAILABLE INFORMATION AND IS SUBJECT TO CHANGE WITHOUT NOTICE.

TITLE: SMART-UPS VT ISX
 INPUT: 208V 3PH SINGLE MAINS
 OUTPUT: 208V 20kVA/30kVA
 WITH PDU
 SYSTEM WIRING DIAGRAM
 PROJECT: SUBMITTAL DRAWINGS SHEET 1 OF 2

DWG NO:	SUVTR20K30F1-WD	REV.	-
DRAWN BY:	BALAMURUGAN	CHECKED BY:	J.RING
ENGINEER:	B.SHERIDAN/ E.SILVA		

APC
 AMERICAN POWER CONVERSION
 132 FAIRGROUNDS RD
 WEST KINGSTON, RI 02892



NOTES:

1. MUST BE 4 WIRE + GROUND PROVIDED WYE-SOURCE.
- △ 2. FOR DUAL MAINS INSTALLATION 3 BRIDGE BUS BARS IN THE UPS MUST BE REMOVED.
 BYPASS INPUT CAN BE PROVIDED VIA UTILITY SOURCE OR OTHER NON-SYNCHRONIZED SOURCE. PLEASE CONTACT APC IF DUAL SOURCES ARE BOTH SEPARATELY DERIVED POWER SYSTEMS
3. CABLING PROVIDED BY OTHERS.
4. ALL AC POWER CABLING IS 4 WIRE + GROUND AT 208VAC 3-PHASE.
5. POWER WIRING AND CONTROL WIRING MUST BE IN SEPARATE CONDUITS
- △ 6. THESE CONNECTIONS ARE APPLICABLE TO APC XR ENCLOSURE ONLY
7. INSTALLATION MUST COMPLY WITH ALL APPLICABLE NATIONAL AND LOCAL CODES

THIS DRAWING AND SPECIFICATIONS HEREIN ARE THE PROPERTY OF AMERICAN POWER CONVERSION AND SHALL NOT BE COPIED, REPRODUCED OR USED IN WHOLE OR IN PART, AS THE BASIS FOR THE MANUFACTURE OR SALE OF ITEMS WITHOUT WRITTEN PERMISSION FROM APC. THIS DRAWING IS BASED UPON LATEST AVAILABLE INFORMATION AND IS SUBJECT TO CHANGE WITHOUT NOTICE.	TITLE:	SMART-UPS VT ISX INPUT: 208V 3PH DUAL MAINS OUTPUT: 208V 20KVA/30KVA WITH PDU SYSTEM WIRING DIAGRAM	DWG NO:	SUVTR20K30F2-WD	REV.	-
	PROJECT:	SUBMITTAL DRAWINGS	DRAWN BY:	BALAMURUGAN	CHECKED BY:	J.RING
		SHEET 2 OF 2	ENGINEER:	B.SHERIDAN/ E.SILVA		

