

**NOTES:**

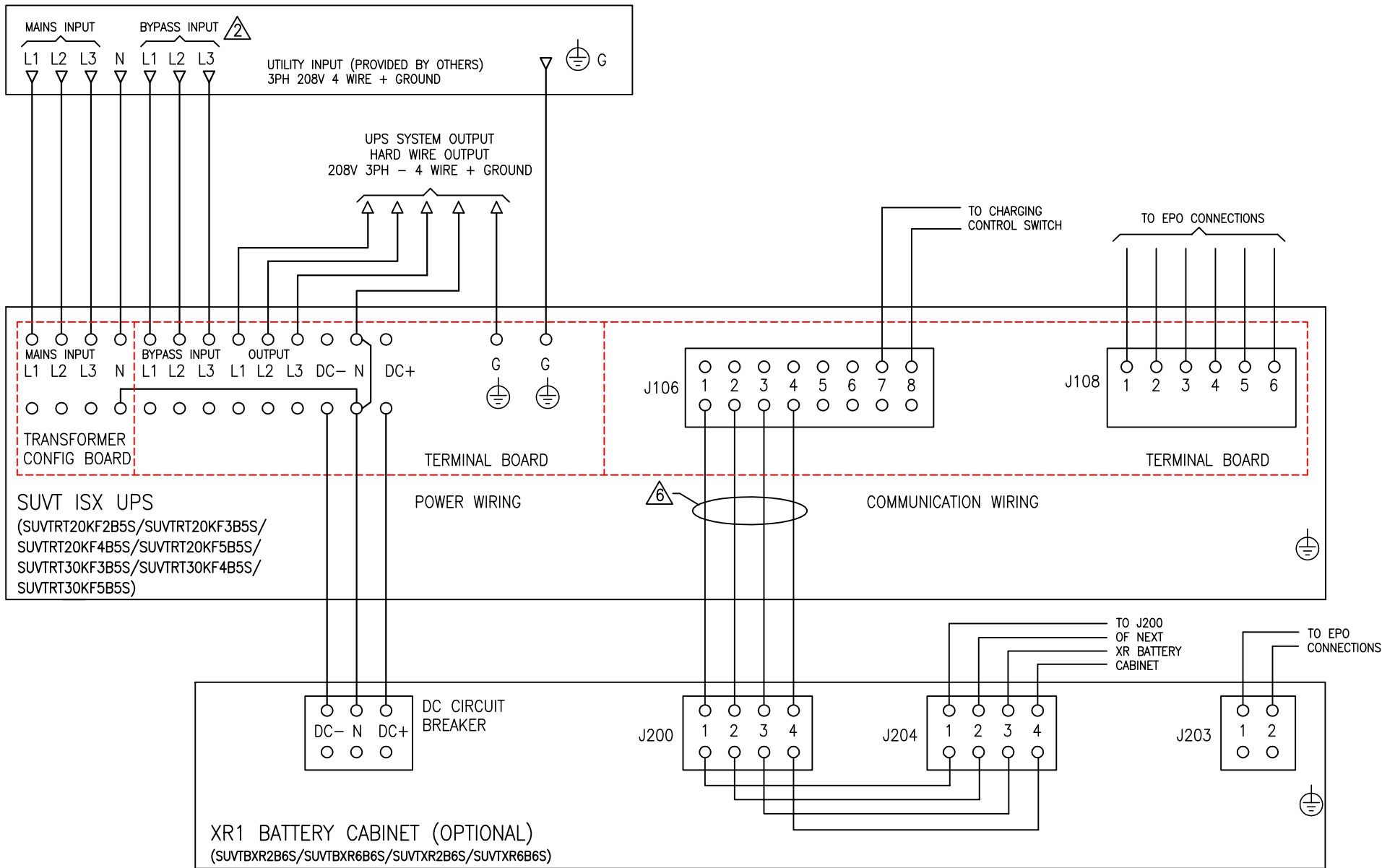
1. MUST BE 4 WIRE + GROUND PROVIDED WYE-SOURCE.
- △ 2. SINGLE MAINS INSTALLATION IS A DEFAULT.  
FOR DUAL MAINS OPTION PLEASE REFER TO DRAWING# SUVTRT20K30F2-WD FOR DETAILS
3. CABLING PROVIDED BY OTHERS.
4. ALL AC POWER OUTPUT CABLING IS 4 WIRE + GROUND AT 208VAC 3-PHASE.
5. POWER WIRING AND CONTROL WIRING MUST BE IN SEPARATE CONDUITS
- △ 6. THESE CONNECTIONS ARE APPLICABLE TO APC XR ENCLOSURE ONLY
- △ 7. THIS SYSTEM SHALL BE INSTALLED AS A SEPARATELY DERIVED SYSTEM  
IN ACCORDANCE WITH LOCAL AND NATIONAL CODES  
THE GROUNDING ELECTRODE CONDUCTOR (GEC) IS PROVIDED BY OTHERS
8. INSTALLATION MUST COMPLY WITH ALL APPLICABLE NATIONAL AND LOCAL CODES

THIS DRAWING AND SPECIFICATIONS HEREIN ARE THE PROPERTY OF AMERICAN POWER CONVERSION AND SHALL NOT BE COPIED, REPRODUCED OR USED IN WHOLE OR IN PART, AS THE BASIS FOR THE MANUFACTURE OR SALE OF ITEMS WITHOUT WRITTEN PERMISSION FROM APC. THIS DRAWING IS BASED UPON LATEST AVAILABLE INFORMATION AND IS SUBJECT TO CHANGE WITHOUT NOTICE.

TITLE: SMART-UPS VT ISX  
INPUT: 208V 3PH SINGLE MAINS  
OUTPUT: 208V 20kVA/30kVA  
WITH TRANSFORMER AND PDU  
SYSTEM WIRING DIAGRAM  
PROJECT: SUBMITTAL DRAWINGS SHEET 1 OF 2

DWG NO:	SUVTRT20K30F1-WD	REV.	-
DRAWN BY:	BALAMURUGAN	CHECKED BY:	J.RING
ENGINEER:	B.SHERIDAN/ E.SILVA		

**APC**  
AMERICAN POWER CONVERSION  
132 FAIRGROUNDS RD  
WEST KINGSTON, RI 02892



**NOTES:**

1. MUST BE 4 WIRE + GROUND PROVIDED WYE-SOURCE.
- △ 2. FOR DUAL MAINS INSTALLATION 3 BRIDGE BUS BARS IN THE UPS MUST BE REMOVED. BYPASS INPUT CAN BE PROVIDED VIA UTILITY SOURCE OR OTHER NON-SYNCRONIZED SOURCE. PLEASE CONTACT APC IF DUAL SOURCES ARE BOTH SEPARATELY DERIVED POWER SYSTEMS
3. CABLING PROVIDED BY OTHERS.
4. ALL AC POWER OUTPUT CABLING IS 4 WIRE + GROUND AT 208VAC 3-PHASE.
5. POWER WIRING AND CONTROL WIRING MUST BE IN SEPARATE CONDUITS
- △ 6. THESE CONNECTIONS ARE APPLICABLE TO APC XR ENCLOSURE ONLY
7. INSTALLATION MUST COMPLY WITH ALL APPLICABLE NATIONAL AND LOCAL CODES

<small>THIS DRAWING AND SPECIFICATIONS HEREIN ARE THE PROPERTY OF AMERICAN POWER CONVERSION AND SHALL NOT BE COPIED, REPRODUCED OR USED IN WHOLE OR IN PART, AS THE BASIS FOR THE MANUFACTURE OR SALE OF ITEMS WITHOUT WRITTEN PERMISSION FROM APC. THIS DRAWING IS BASED UPON LATEST AVAILABLE INFORMATION AND IS SUBJECT TO CHANGE WITHOUT NOTICE.</small>	TITLE:	SMART-UPS VT ISX INPUT: 208V 3PH DUAL MAINS OUTPUT: 208V 20kVA/30kVA WITH TRANSFORMER AND PDU SYSTEM WIRING DIAGRAM	DWG NO:	SUVTRT20K30F2-WD	REV.:	-
	PROJECT:	SUBMITTAL DRAWINGS	SHEET	2 OF 2	ENGINEER:	B.SHERIDAN/ E.SILVA
	DRAWN BY:	BALAMURUGAN	CHECKED BY:	J.RING	03/07/07	03/07/07
					03/07/07	03/07/07

