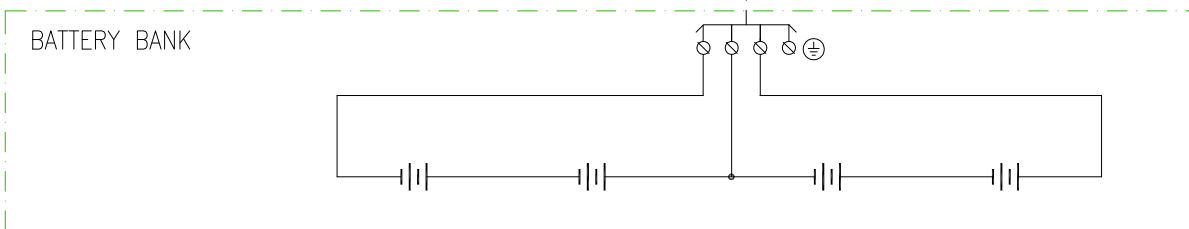
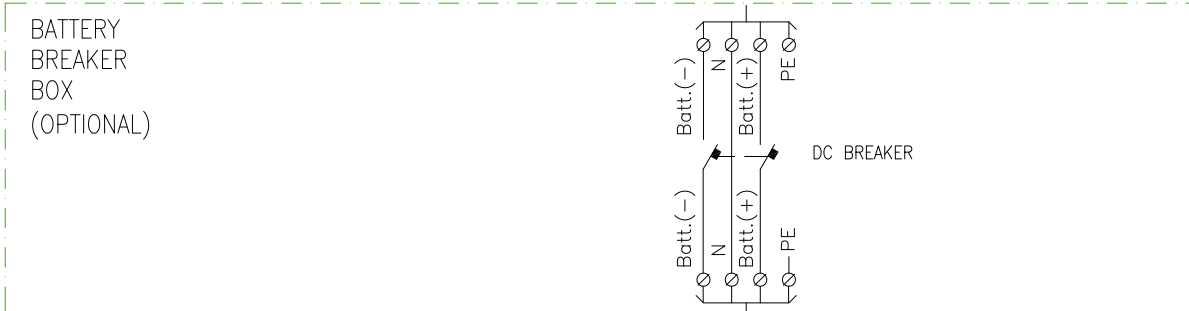


NOTES:

1. INSTALLATION SHALL COMPLY WITH ALL APPLICABLE NATIONAL, STATE AND LOCAL CODES.
- △ 2. SHALL BE L1, L2, L3, N, PE (PROVIDED BY OTHERS).
- △ 3. ----- = AC/DC CABLING (PROVIDED BY OTHERS).
4. PLEASE REFER TO APC INSTALLATION GUIDE.
- △ 5. DC CABLING SHOULD BE SEGREGATED FROM AC CABLING.
6. ALL AC POWER CABLING IS L1, L2, L3, N, PE.
7. SEE PRODUCT DOCUMENTATION FOR FURTHER INFORMATION.
- △ 8. SINGLE MAINS INSTALLATION IS A DEFAULT. FOR DUAL MAINS OPTION REFER TO DRAWING# SUVTP15KH2SNB-SD FOR DETAILS.
9. THIS DRAWING DEPICTS THE POWER SYSTEM CONNECTIONS AND IS NOT REPRESENTATIVE OF THE PHYSICAL LAYOUT. PLEASE REFER TO MECHANICAL DRAWINGS FOR PHYSICAL LAYOUT.
10. UPS INPUT AND OUTPUT CABLES SHOULD BE SEGREGATED.
11. POWER WIRING AND CONTROL WIRING SHOULD BE SEGREGATED.
12. OUTPUT OVER CURRENT PROTECTION SHALL BE PROVIDED BY OTHERS. RECOMMENDED OUTPUT BREAKER RATING 25A.



THIS DRAWING AND SPECIFICATIONS HEREIN ARE THE PROPERTY OF SCHNEIDER ELECTRIC AND SHALL NOT BE COPIED, REPRODUCED OR USED IN WHOLE OR IN PART, AS THE BASIS FOR THE MANUFACTURE OR SALE OF ITEMS WITHOUT WRITTEN PERMISSION FROM SCHNEIDER ELECTRIC. THIS DRAWING IS BASED UPON LATEST AVAILABLE INFORMATION AND IS SUBJECT TO CHANGE WITHOUT NOTICE.



TITLE: SMART-UPS VT 15kVA WITHOUT INTERNAL BATTERY
 INPUT: 3x400/230V SINGLE MAINS
 OUTPUT: 3x400/230V 10kVA
 SYSTEM ONE LINE
 PROJECT: STD SUBMITTAL DRAWINGS SHEET 1 OF 1

DWG NO: SUVTP15KH1SNB-SD
 DRAWN BY: V BUSH 15-APR-11
 ENGINEER: B H NIELSEN 15-APR-11
 APPROVED BY: C LARSEN 15-APR-11

REV. 1
 PROJ ANGLE
 N.A.