

**NOTES:**

1. ALL DIMENSIONS ARE IN INCHES [MILLIMETERS].
2. FRONT SERVICE ACCESS
3. CONDUIT ENTRY IS TOP OR BOTTOM OF UNIT.
4. UNIT WEIGHT IS 120 LBS [54.5 kg]
5. INSTALLATION MUST COMPLY WITH ALL APPLICABLE NATIONAL AND LOCAL CODES

THIS DRAWING AND SPECIFICATIONS HEREIN ARE THE PROPERTY OF AMERICAN POWER CONVERSION AND SHALL NOT BE COPIED, REPRODUCED OR USED IN WHOLE OR IN PART, AS THE BASIS FOR THE MANUFACTURE OR SALE OF ITEMS WITHOUT WRITTEN PERMISSION FROM APC. THIS DRAWING IS BASED UPON LATEST AVAILABLE INFORMATION AND IS SUBJECT TO CHANGE WITHOUT NOTICE.

TITLE: SMART-UPS VT 10-30kVA  
WALL MOUNT MAINTENANCE BYPASS PANEL  
WITH POWER DISTRIBUTION PANEL  
208V, 3PH, 10-30kVA  
MAIN MECHANICAL

DWG NO: SBPSU10K30FC1M1-WP-MM

REV. 1

DRAWN BY: JAYAPRAKASH

11/30/05

CHECKED BY: M.LEPARD

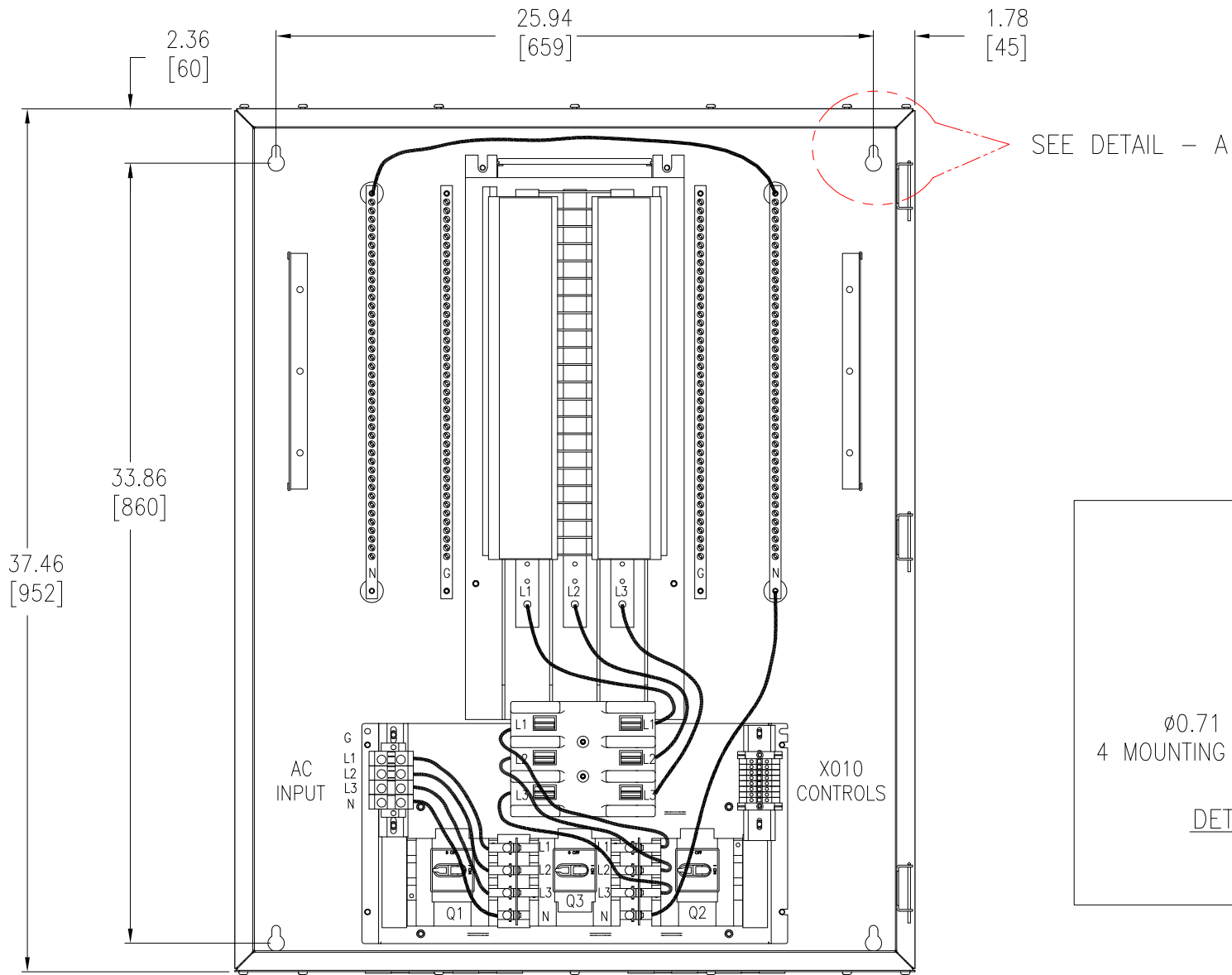
11/30/05

PROJECT: SUBMITTAL DRAWINGS SHEET 1 OF 4

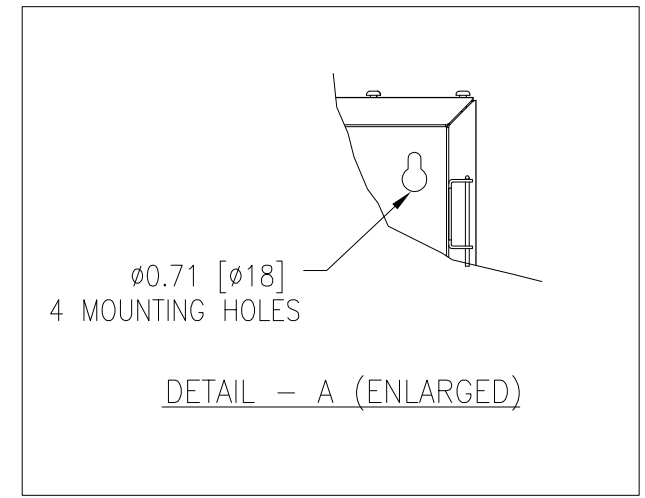
ENGINEER: L.ROZENBERG

11/30/05





FRONT VIEW (DOOR REMOVED)



NOTES:

1. ALL DIMENSIONS ARE IN INCHES [MILLIMETERS]
2. CONDUIT ENTRY IS TOP OR BOTTOM OF UNIT.
3. INSTALLATION MUST COMPLY WITH ALL APPLICABLE NATIONAL AND LOCAL CODES

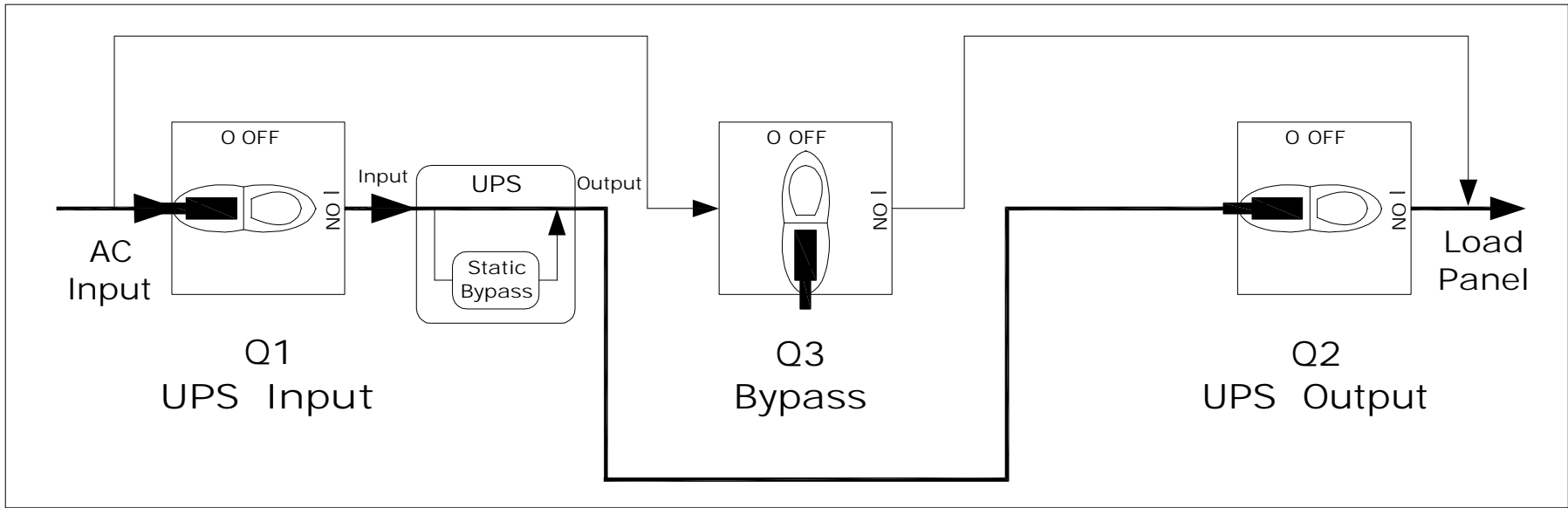
THIS DRAWING AND SPECIFICATIONS HEREIN ARE THE PROPERTY OF AMERICAN POWER CONVERSION AND SHALL NOT BE COPIED, REPRODUCED OR USED IN WHOLE OR IN PART, AS THE BASIS FOR THE MANUFACTURE OR SALE OF ITEMS WITHOUT WRITTEN PERMISSION FROM APC. THIS DRAWING IS BASED UPON LATEST AVAILABLE INFORMATION AND IS SUBJECT TO CHANGE WITHOUT NOTICE.

TITLE: SMART-UPS VT 10-30KVA  
WALL MOUNT MAINTENANCE BYPASS PANEL  
WITH POWER DISTRIBUTION PANEL  
208V, 3PH, 10-30KVA  
INTERNAL VIEW-FRONT

DWG NO:	SBPSU10K30FC1M1-WP-ME	REV:	1
DRAWN BY:	JAYAPRAKASH		11/30/05
CHECKED BY:	M.LEPARD		11/30/05
ENGINEER:	L.ROZENBERG		11/30/05

PROJECT: SUBMITTAL DRAWINGS SHEET 2 OF 4





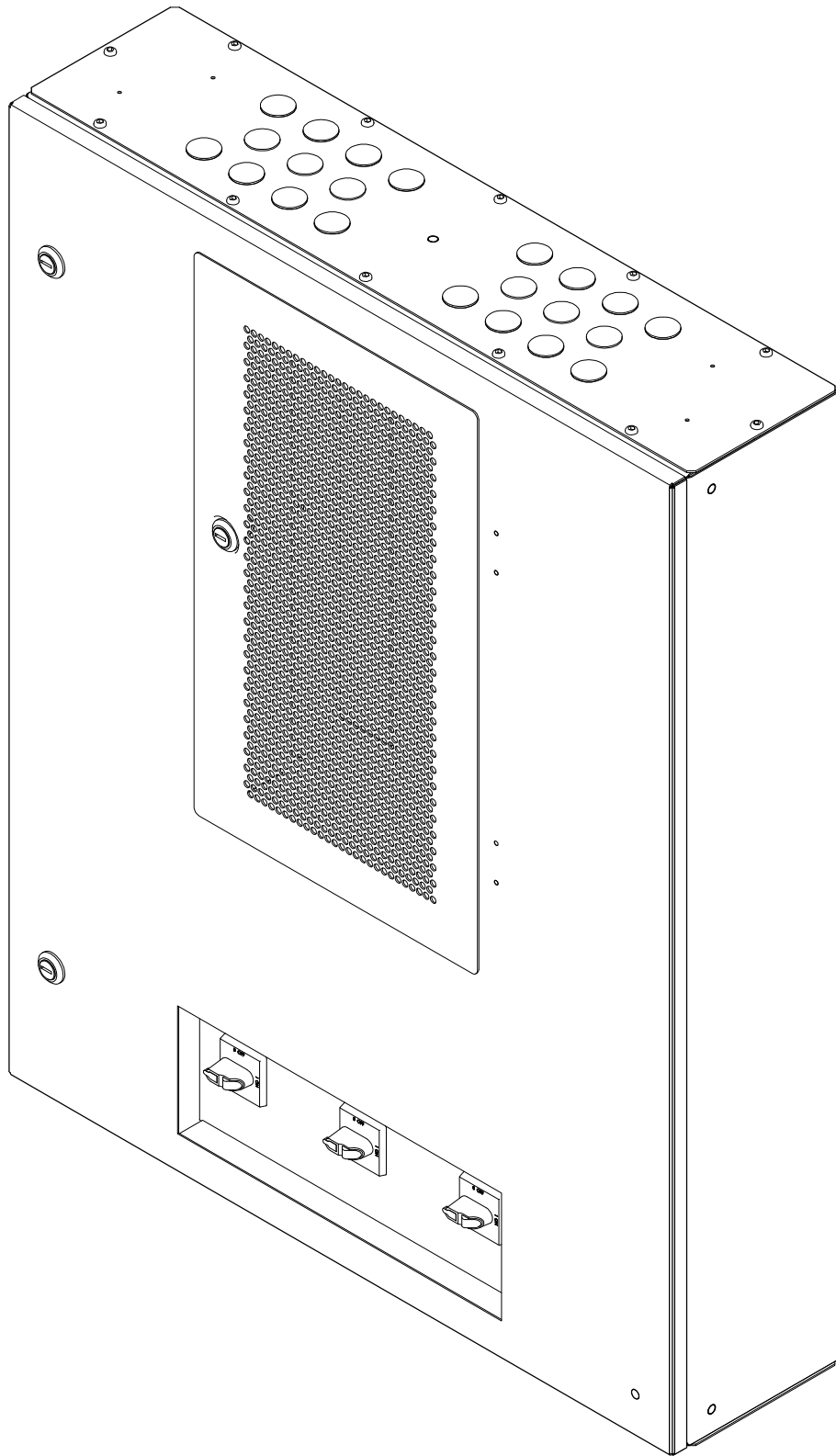
MIMIC DIAGRAM  
(NORMAL OPERATING MODE)

THIS DRAWING AND SPECIFICATIONS HEREIN ARE THE PROPERTY OF AMERICAN POWER CONVERSION AND SHALL NOT BE COPIED, REPRODUCED OR USED IN WHOLE OR IN PART, AS THE BASIS FOR THE MANUFACTURE OR SALE OF ITEMS WITHOUT WRITTEN PERMISSION FROM APC. THIS DRAWING IS BASED UPON LATEST AVAILABLE INFORMATION AND IS SUBJECT TO CHANGE WITHOUT NOTICE.

TITLE: SMART-UPS VT 10-30KVA  
WALL MOUNT MAINTENANCE BYPASS PANEL  
WITH POWER DISTRIBUTION PANEL  
208V, 3PH, 10-30KVA  
MIMIC DIAGRAM  
PROJECT: SUBMITTAL DRAWINGS SHEET 3 OF 4

DWG NO: SBPSU10K30FC1M1-WP-MD REV: 1  
DRAWN BY: JAYAPRAKASH 28/10/04  
CHECKED BY: M.LEPARD 28/10/04  
ENGINEER: L.ROZENBERG 28/10/04





ISOMETRIC VIEW

THIS DRAWING AND SPECIFICATIONS HEREIN ARE THE PROPERTY OF AMERICAN POWER CONVERSION AND SHALL NOT BE COPIED, REPRODUCED OR USED IN WHOLE OR IN PART, AS THE BASIS FOR THE MANUFACTURE OR SALE OF ITEMS WITHOUT WRITTEN PERMISSION FROM APC. THIS DRAWING IS BASED UPON LATEST AVAILABLE INFORMATION AND IS SUBJECT TO CHANGE WITHOUT NOTICE.

TITLE: SMART-UPS VT 10-30kVA  
WALL MOUNT MAINTENANCE BYPASS PANEL  
WITH POWER DISTRIBUTION PANEL  
208V, 3PH, 10-30kVA  
ISOMETRIC VIEW

PROJECT: SUBMITTAL DRAWINGS SHEET 4 OF 4

DWG NO: SBPSU10K30FC1M1-WP-ISO

DRAWN BY: JAYAPRAKASH

CHECKED BY: M.LEPARD

ENGINEER: L.ROZENBERG

REV. 1

11/30/05

11/30/05

11/30/05

