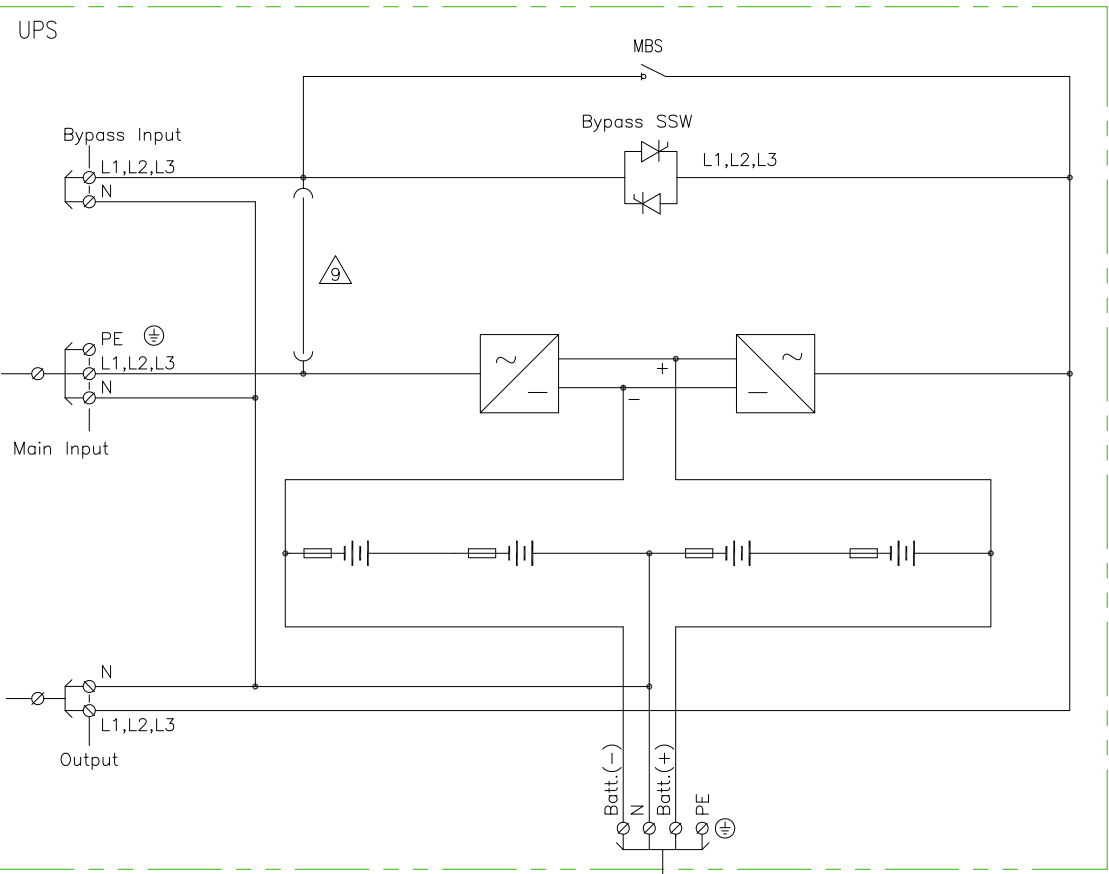


△ 2
 MAINS INPUT
 (PROVIDED BY OTHERS)
 3x400/230V
 L1,L2,L3,N,PE

35A
 (gL TYPE
 FUSE)

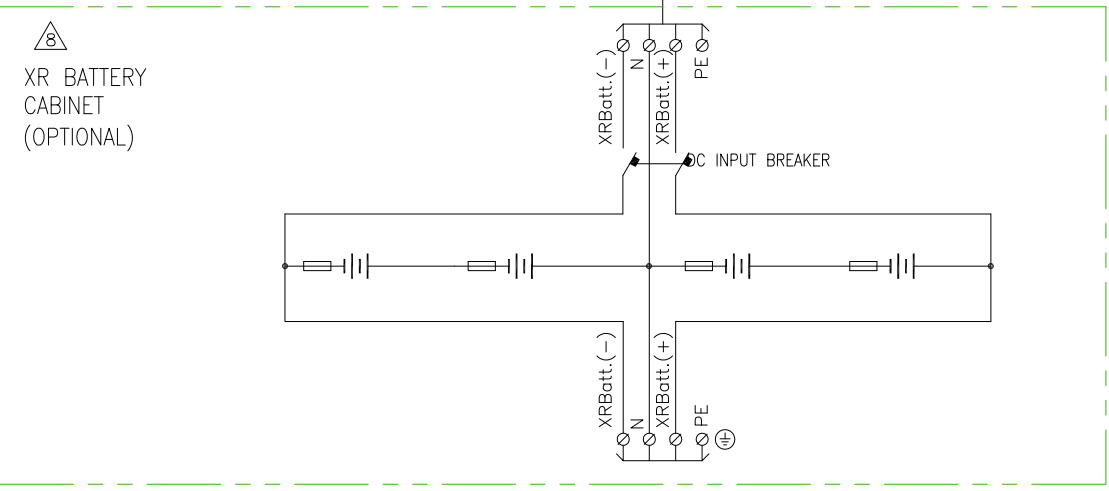
△ 3



NOTES:

1. PLEASE REFER TO APC INSTALLATION GUIDE.
- △ 2. SHALL BE L1, L2, L3, N, PE SOURCE (PROVIDED BY OTHERS).
- △ 3. ----- = AC/DC CABLING)PROVIDED BY OTHERS).
4. ALL AC POWER CABLING IS L1, L2, L3, N, PE.
- △ 5. DC CABLING SHOULD BE SEGREGATED FROM AC CABLING. SEE BATTERY INSTALLATION INFORMATION.
6. UPS INPUT AND OUT CABLES SOULD BE SEGREGATED.
7. POWER WIRING AND CONTROL WIRING SOULD BE SEGREGATED.
- △ 8. XR BATTERY CABINET CAN BE BAYED TO UPS. BAYING KIT SHALL BE PURCHASED AS AN OPTION. XR BATTERY CABINET IS ALSO AVAILABLE WITHOUT BREAKER, WITH DC FUSES ONLY UP TO 4 XR BATTERY CABINETS CAN BE CONNECTED TO UPS TO EXTEND BACK UP TIME.
- △ 9. SINGLE MAINS INSTALLATION IS A DEFAULT. FOR DUAL MAINS OPTION REFER TO DRAWING# SUVT20KH3S-SD FOR DETAILS.
10. OUTPUT OVERCURRENT PROTECTION SHALL BE PROVIDED BY OTHERS. RECOMMENDED OUTPUT BREAKER RATING 35A.
11. INSTALLATION SHALL COMPLY WITH ALL APPLICABLE NATIONAL, STATE AND LOCAL CODES.
12. SEE PRODUCT DOCUMENTATION FOR FURTHER INFORMATION
13. UNLESS OTHERWISE SPECIFIED, ALL DIMENSIONS ARE IN INCHES[MILLIMETERS].
14. THIS DRAWING DEPICTS THE POWER SYSTEM CONNECTIONS ANS IS NOT REPRESENTATIVE OF THE PHYSICAL LAYOUT. PLEASE REFER TO MECHANICAL DRAWINGS FOR PHYSICAL LAYOUT.

UPS SYSTEM
 OUTPUT
 20kVA 400V
 L1,L2,L3,N,PE



THIS DRAWING AND SPECIFICATIONS HEREIN ARE THE PROPERTY OF SCHNEIDER ELECTRIC AND SHALL NOT BE COPIED, REPRODUCED OR USED IN WHOLE OR IN PART, AS THE BASIS FOR THE MANUFACTURE OR SALE OF ITEMS WITHOUT WRITTEN PERMISSION FROM SCHNEIDER ELECTRIC. THIS DRAWING IS BASED UPON LATEST AVAILABLE INFORMATION AND IS SUBJECT TO CHANGE WITHOUT NOTICE.



TITLE:
 SMART-UPS VT
 INPUT: 3x400/230V SINGLE MAINS
 OUTPUT: 3x400/230V 20kVA
 SYSTEM ONE LINE

DWG NO: SUVTP20KH1S-SD
 DRAWN BY: V BUSH 04-APR-11
 ENGINEER: B H NIELSEN 04-APR-11
 APPROVED BY: C LARSEN 04-APR-11

REV. 3
 PROJ ANGLE
 N.A.

PROJECT: STD SUBMITTAL DRAWINGS SHEET 1 OF 1