

NOTES:

1. PLEASE REFER TO INSTALLATION MANUAL FOR DETAILS
2. ALL DIMENSIONS ARE IN MILLIMETERS.
3. CABLE ENTRY IS REAR OF UNIT.
SEE UNIT WITH OPTIONAL CONDUIT BOX ON PAGE 3.
4. FRONT AND REAR SERVICE CLEARANCE AND TOP COOLING CLEARANCE REQUIRED.
5. WEIGHT OF UNIT IS 767 kg.
- △ 6. CENTER OF GRAVITY OF THE UNIT

x-distance mm	y-distance mm	z-distance mm
261	610	397

7. INSTALLATION MUST COMPLY WITH NATIONAL AND LOCAL ELECTRICAL REGULATIONS.

THIS DRAWING AND SPECIFICATIONS HEREIN ARE THE PROPERTY OF AMERICAN POWER CONVERSION AND SHALL NOT BE COPIED, REPRODUCED OR USED IN WHOLE OR IN PART, AS THE BASIS FOR THE MANUFACTURE OR SALE OF ITEMS WITHOUT WRITTEN PERMISSION FROM APC. THIS DRAWING IS BASED UPON LATEST AVAILABLE INFORMATION AND IS SUBJECT TO CHANGE WITHOUT NOTICE.

TITLE: SMART-UPS VT XR-CABINET
WITHOUT DC BREAKER
W/6 BATT. MODULES
MAIN MECHANICAL

DWG NO: SUVTR6B6S-MM1

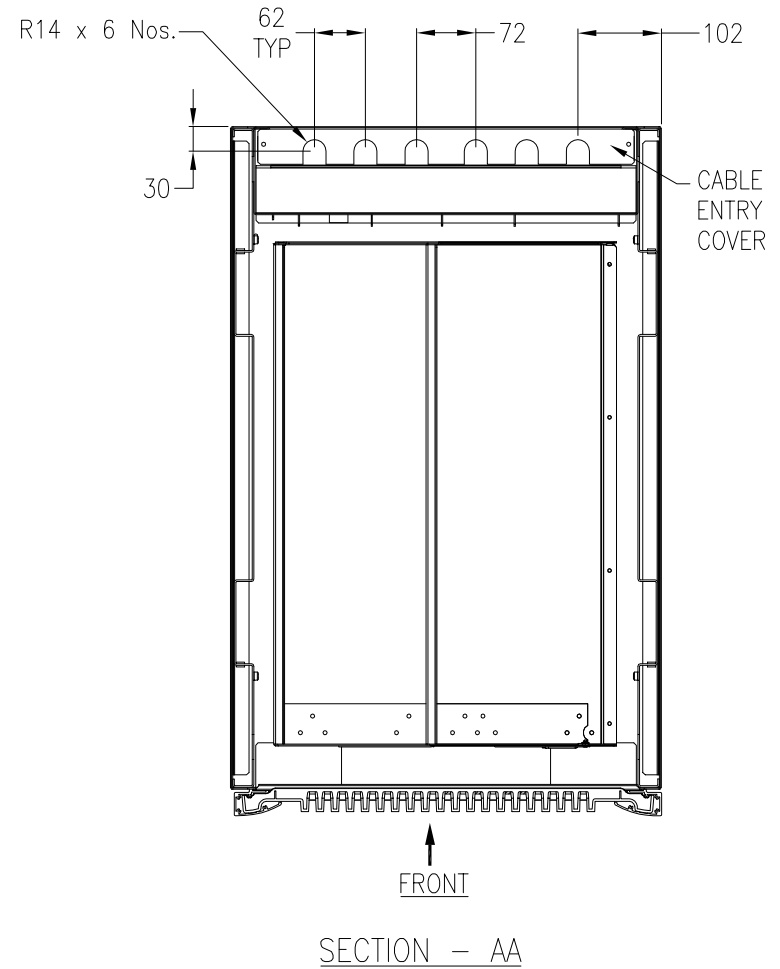
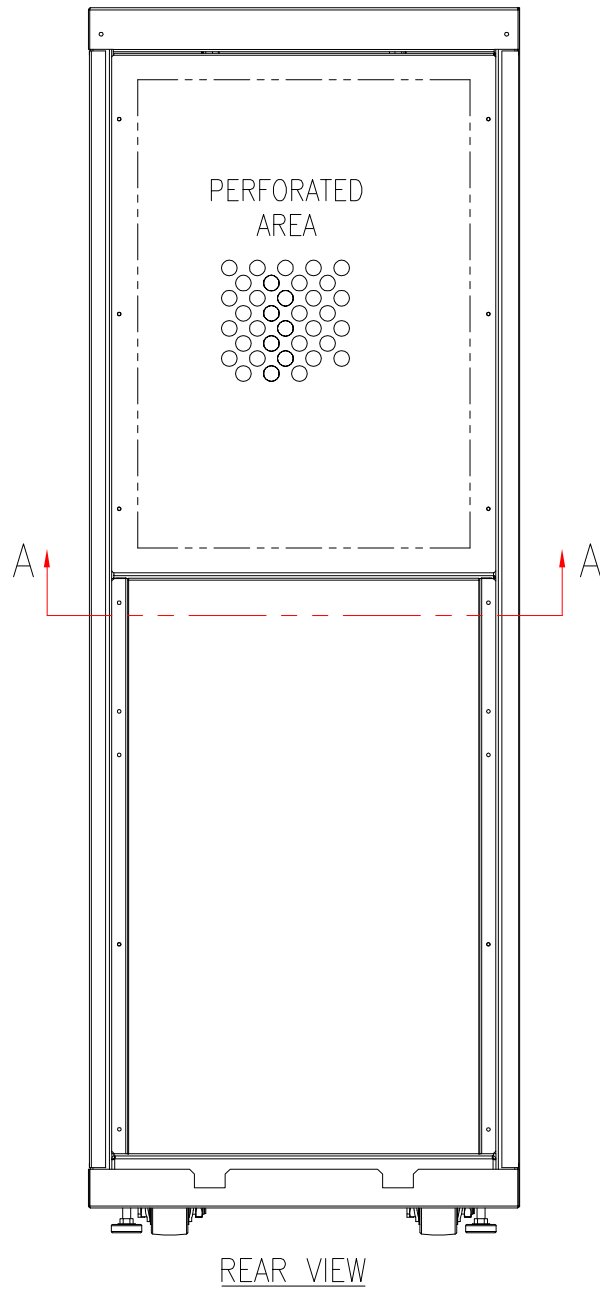
REV. 1

DRAWN: C KRISHNA	23/08/05
CHECKED: B.H.NIELSEN/M.SALOKHE	23/08/05
ENGINEER: C.LARSEN/S.WAGH	23/08/05

PROJECTION



PROJECT: SUBMITTAL DRAWING SHEET 1 OF 5

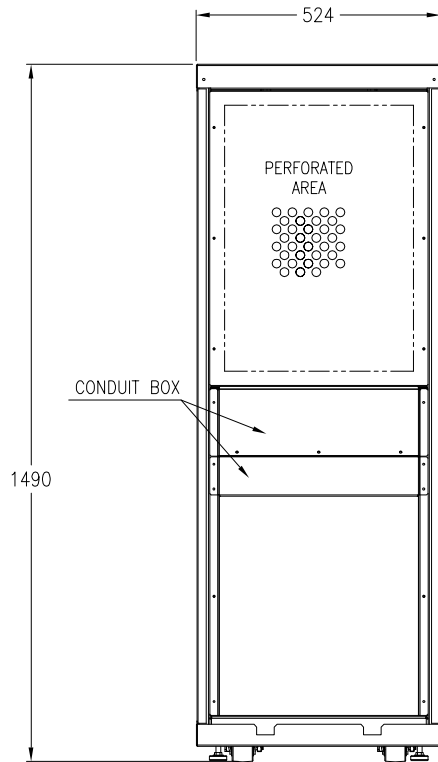


NOTES:

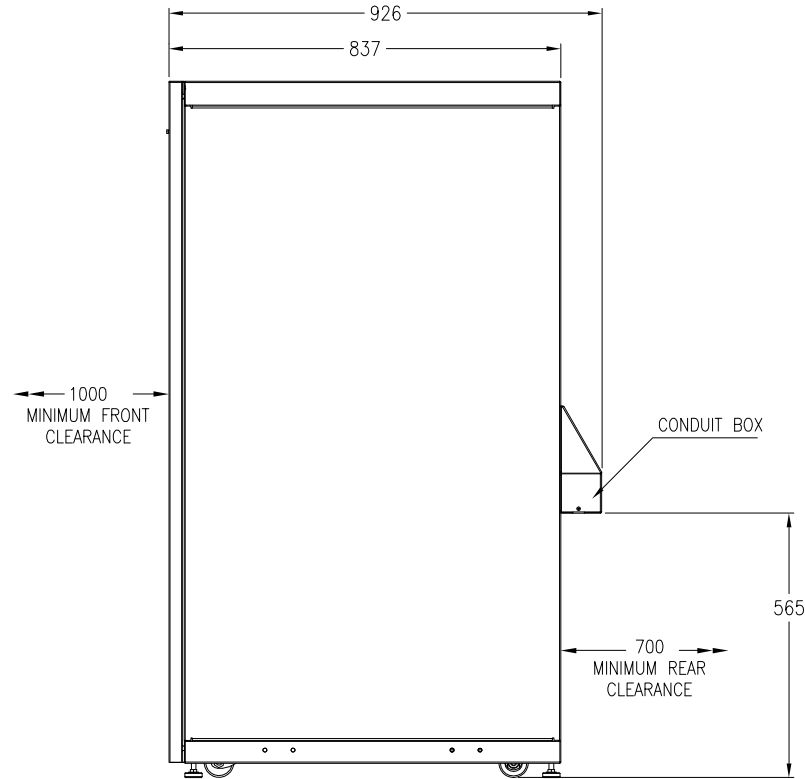
1. PLEASE REFER TO APC PRODUCT MANUAL.
2. ALL DIMENSIONS ARE IN MILLIMETERS.
3. INSTALLATION MUST COMPLY WITH NATIONAL AND LOCAL ELECTRICAL REGULATIONS.

THIS DRAWING AND SPECIFICATIONS HEREIN ARE THE PROPERTY OF AMERICAN POWER CONVERSION AND SHALL NOT BE COPIED, REPRODUCED OR USED IN WHOLE OR IN PART, AS THE BASIS FOR THE MANUFACTURE OR SALE OF ITEMS WITHOUT WRITTEN PERMISSION FROM APC. THIS DRAWING IS BASED UPON LATEST AVAILABLE INFORMATION AND IS SUBJECT TO CHANGE WITHOUT NOTICE.	TITLE: SMART-UPS VT XR-CABINET WITHOUT DC BREAKER W/6 BATT. MODULES REAR VIEW	DWG NO: SUVTR6B6S-MM2	REV. 1	 AMERICAN POWER CONVERSION 132 FARGROUNDS RD WEST KINGSTON, RI 02892
	PROJECT: SUBMITTAL DRAWING SHEET 2 OF 5	ENGINEER: C.LARSEN/S.WAGH	DRAWN: C KRISHNA 23/08/05 CHECKED: B.H.NIELSEN/M.SALOKHE 23/08/05	

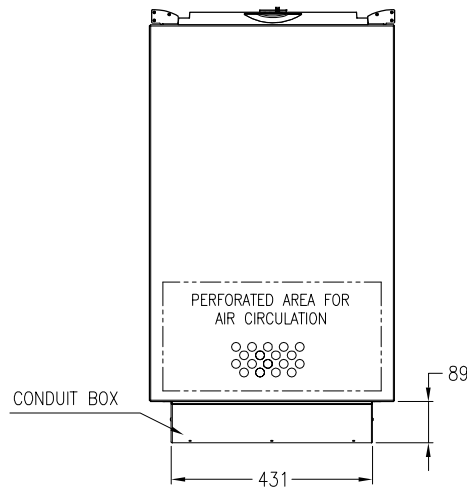
UNIT WITH OPTIONAL CONDUIT BOX



REAR VIEW



SIDE VIEW



TOP VIEW

NOTES:

1. PLEASE REFER TO INSTALLATION MANUAL FOR DETAILS.
2. ALL DIMENSIONS ARE IN MILLIMETERS.
3. CABLE ENTRY IS REAR OF UNIT VIA CONDUIT BOX.
4. CONDUIT BOX IS NOT PROVIDED WITH THE STANDARD UNIT BUT HAS TO BE ORDERED AS AN OPTION.
5. INSTALLATION MUST COMPLY WITH NATIONAL AND LOCAL ELECTRICAL REGULATIONS.

THIS DRAWING AND SPECIFICATIONS HEREIN ARE THE PROPERTY OF AMERICAN POWER CONVERSION AND SHALL NOT BE COPIED, REPRODUCED OR USED IN WHOLE OR IN PART, AS THE BASIS FOR THE MANUFACTURE OR SALE OF ITEMS WITHOUT WRITTEN PERMISSION FROM APC. THIS DRAWING IS BASED UPON LATEST AVAILABLE INFORMATION AND IS SUBJECT TO CHANGE WITHOUT NOTICE.

TITLE: SMART-UPS VT XR-CABINET
WITHOUT DC BREAKER
W/6 BATT. MODULES
CONDUIT BOX OPTION

DWG NO: SUVTR6B6S-MM3

REV. 1

DRAWN: C. KRISHNA 23/08/05

CHECKED: B.H.NIELSEN/M.SALOKHE 23/08/05

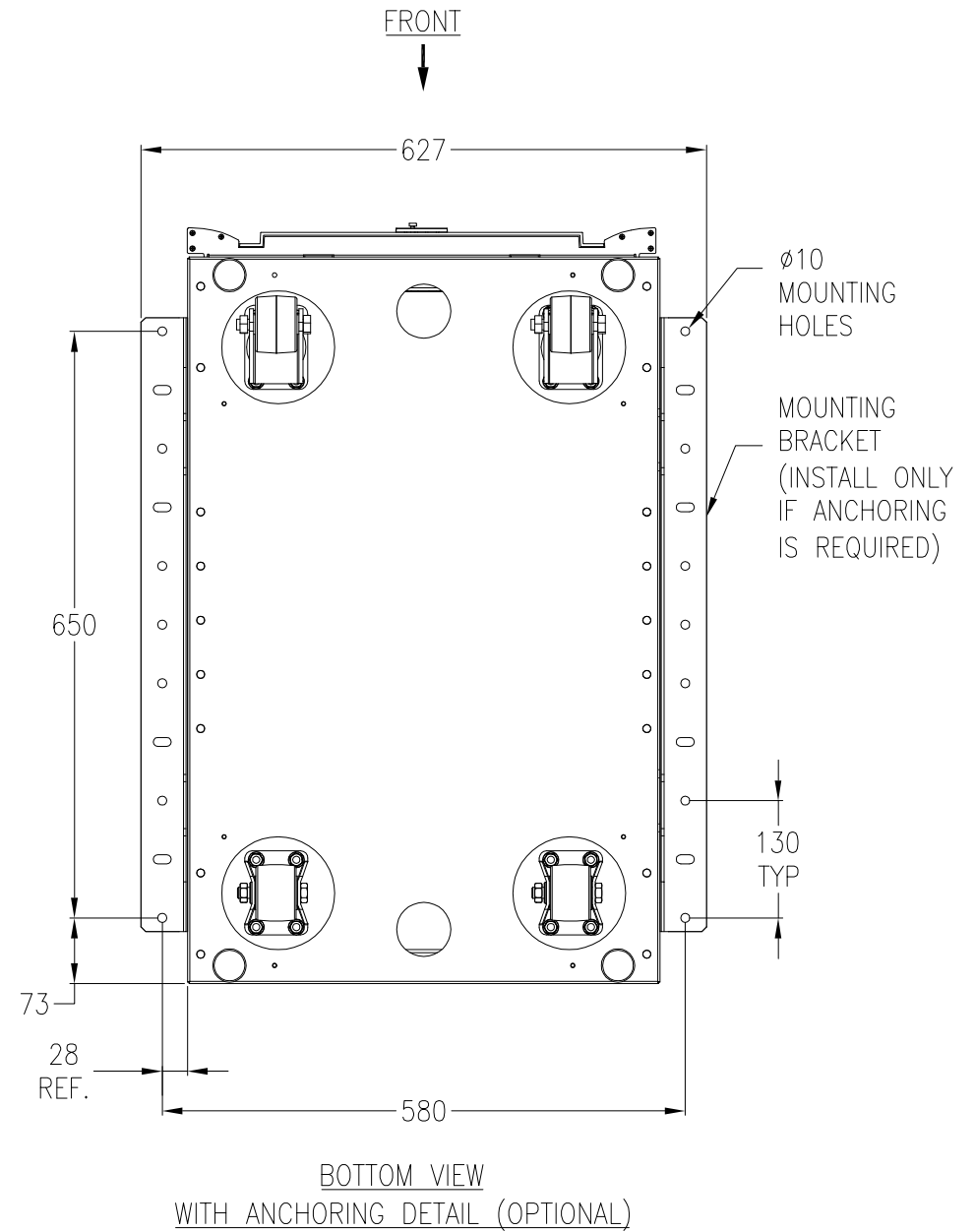
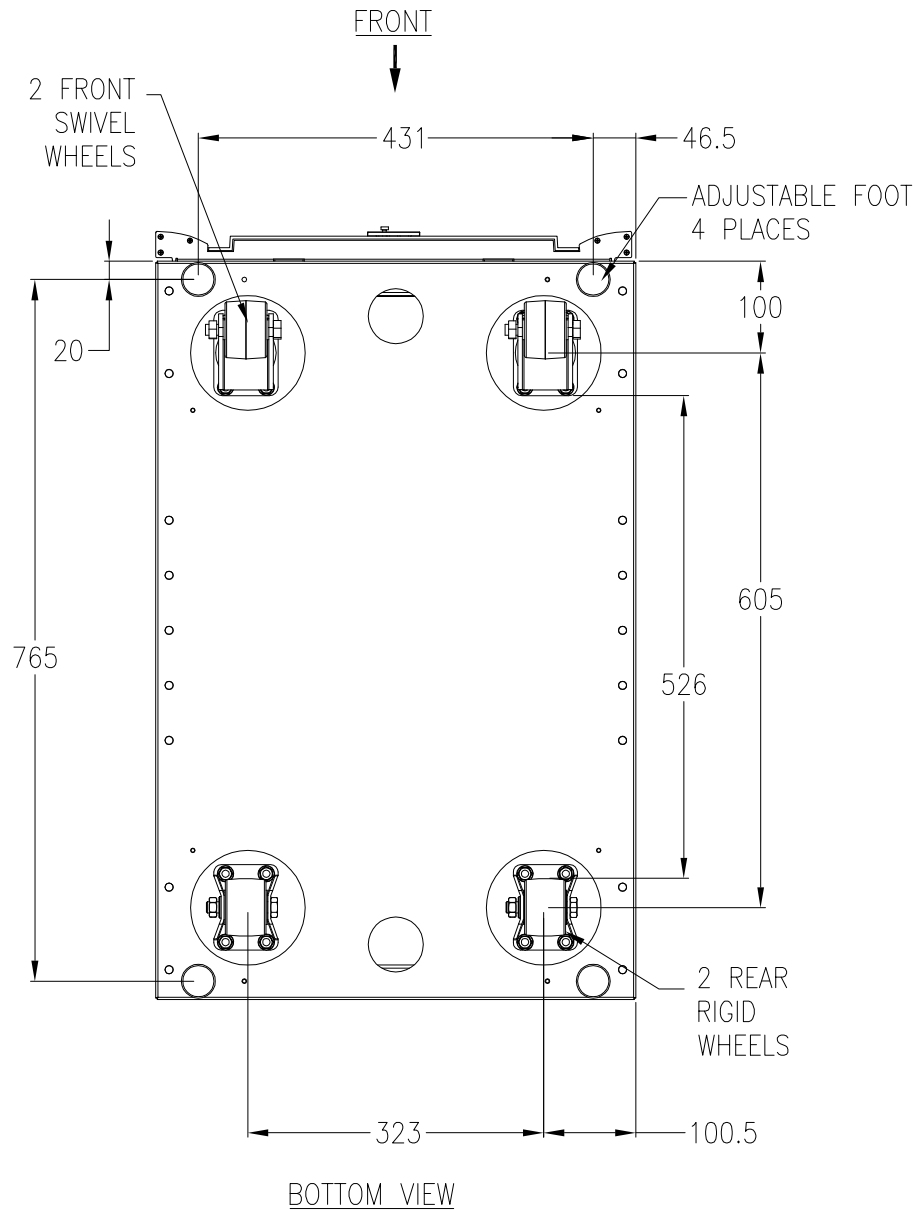
ENGINEER: C.LARSEN/S.WAGH 23/08/05

PROJECT: SUBMITTAL DRAWING

SHEET 3 OF 5

PROJECTION

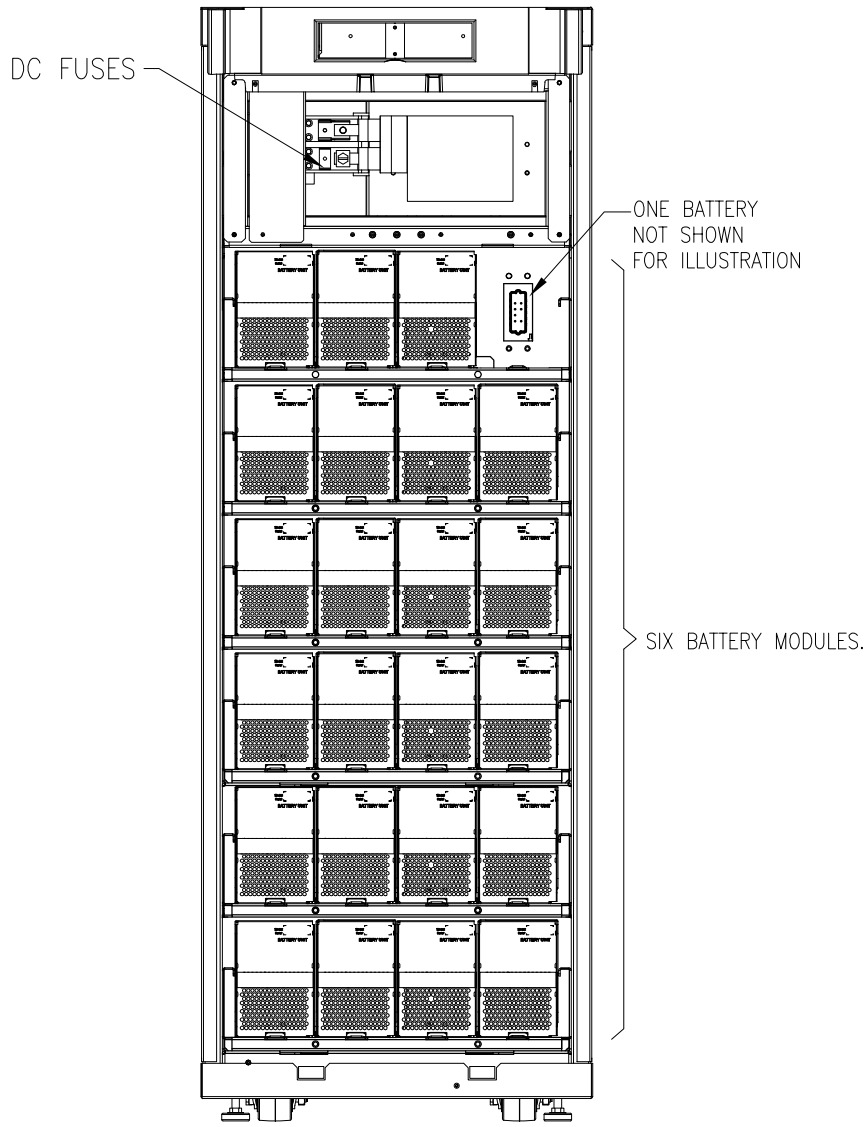
APC[®]
 AMERICAN POWER CONVERSION
 132 FARGROUNDS RD
 WEST KINGSTON, RI 02892



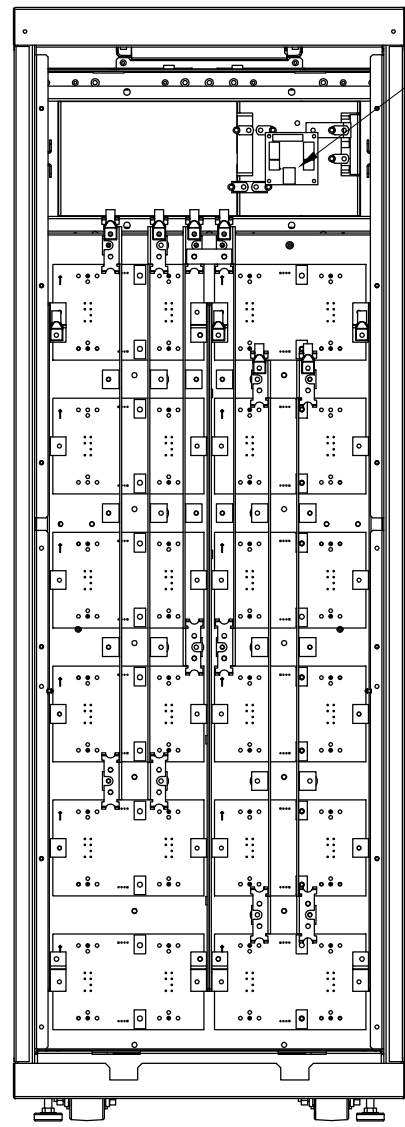
NOTES:

1. PLEASE REFER TO APC PRODUCT MANUAL.
2. ALL DIMENSIONS ARE IN MILLIMETERS.
3. INSTALLATION MUST COMPLY WITH NATIONAL AND LOCAL ELECTRICAL REGULATIONS.

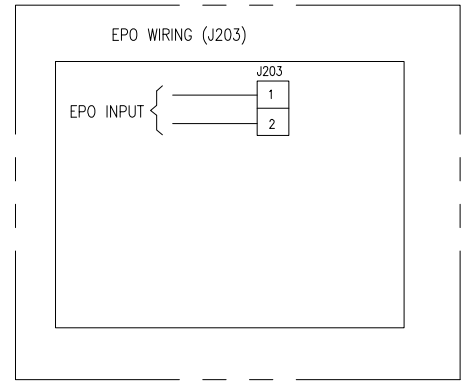
THIS DRAWING AND SPECIFICATIONS HEREIN ARE THE PROPERTY OF AMERICAN POWER CONVERSION AND SHALL NOT BE COPIED, REPRODUCED OR USED IN WHOLE OR IN PART, AS THE BASIS FOR THE MANUFACTURE OR SALE OF ITEMS WITHOUT WRITTEN PERMISSION FROM APC. THIS DRAWING IS BASED UPON LATEST AVAILABLE INFORMATION AND IS SUBJECT TO CHANGE WITHOUT NOTICE.	TITLE: SMART-UPS VT XR-CABINET WITHOUT DC BREAKER W/6 BATT. MODULES BOTTOM VIEW	DWG NO: SUVTXR6B6S-MM4	REV. 1	<p>AMERICAN POWER CONVERSION 132 FARGROUNDS RD WEST KINGSTON, RI 02892</p>
	PROJECT: SUBMITTAL DRAWING SHEET 4 OF 5	DRAWN: C. KRISHNA CHECKED: B.H.NIELSEN/M.SALOKHE ENGINEER: C.LARSEN/S.WAGH	23/08/05 23/08/05 23/08/05	



FRONT VIEW
PANEL REMOVED



REAR VIEW
PANEL REMOVED



EPO is activated when an isolated SELV 24 VDC voltage is supplied on pin 1 with reference to pin 2

- NOTES:
- PLEASE REFER TO APC PRODUCT MANUAL.
 - ALL DIMENSIONS ARE IN MILLIMETERS.
 - SUVT UPS IS DESIGNED FOR SINGLE AND DUAL MAINS.
SINGLE MAINS INSTALLATION IS A DEFAULT.
 - INSTALLATION MUST COMPLY WITH NATIONAL AND LOCAL ELECTRICAL REGULATIONS.

<small>THIS DRAWING AND SPECIFICATIONS HEREIN ARE THE PROPERTY OF AMERICAN POWER CONVERSION AND SHALL NOT BE COPIED, REPRODUCED OR USED IN WHOLE OR IN PART, AS THE BASIS FOR THE MANUFACTURE OR SALE OF ITEMS WITHOUT WRITTEN PERMISSION FROM APC. THIS DRAWING IS BASED UPON LATEST AVAILABLE INFORMATION AND IS SUBJECT TO CHANGE WITHOUT NOTICE.</small>	TITLE: SMART-UPS VT XR-CABINET WITHOUT DC BREAKER W/6 BATT. MODULES INTERNAL FRONT AND REAR VIEW		DWG NO: SUVTR6B6S-ME	REV. 1	 <small>AMERICAN POWER CONVERSION 132 FARGROUNDS RD WEST KINGSTON, RI 02892</small>
	DRAWN: C KRISHNA	23/08/05	CHECKED: B.H.NIELSEN/M.SALOKHE	23/08/05	
	PROJECT: SUBMITTAL DRAWING	SHEET 5 OF 5	ENGINEER: C.LARSEN/S.WAGH	23/08/05	
	<small>PROJECTION</small>				