

NOTES:

1. PLEASE REFER TO INSTALLATION MANUAL FOR DETAILS
 2. ALL DIMENSIONS ARE IN MILLIMETERS.
 3. CABLE ENTRY IS REAR OF UNIT.
SEE UNIT WITH OPTIONAL CONDUIT BOX ON PAGE 3.
 4. FRONT AND REAR SERVICE CLEARANCE AND TOP COOLING CLEARANCE REQUIRED.
 5. REFER TO THE TABLE FOR WEIGHT OF THE UNIT.
 - △ 6. CENTER OF GRAVITY OF THE UNIT
7. INSTALLATION MUST COMPLY WITH NATIONAL AND LOCAL ELECTRICAL REGULATIONS.

No. of Battery Modules	x-distance mm	y-distance mm	z-distance mm
Two	261	500	403
Three	261	496	401
Four	261	520	399
Five	261	560	398
Six	261	610	397

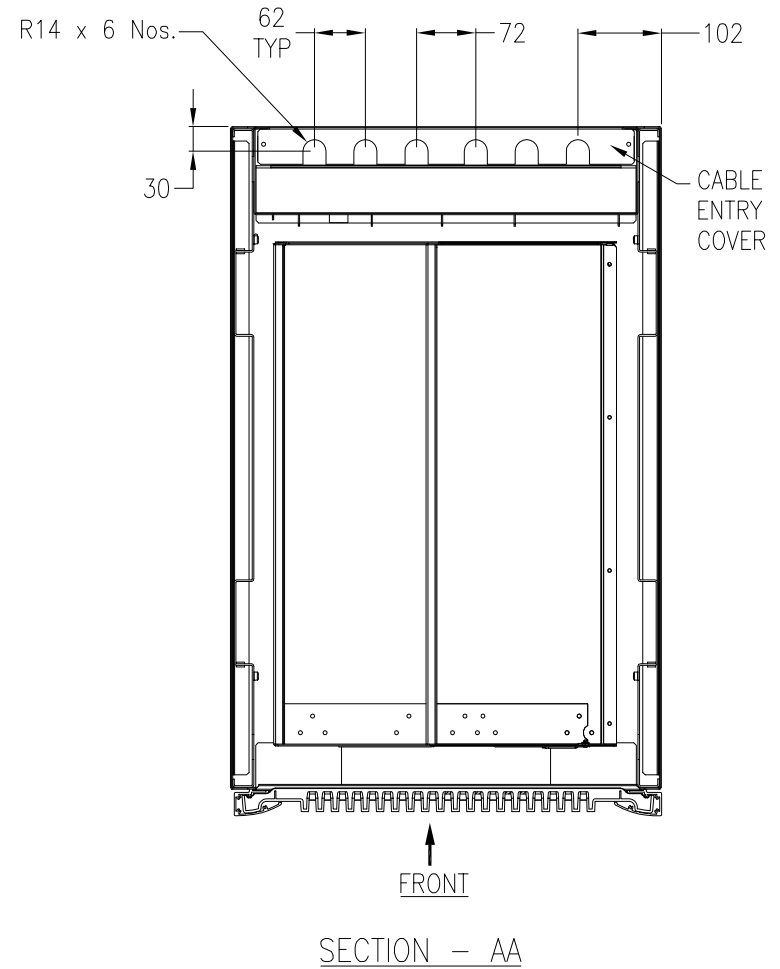
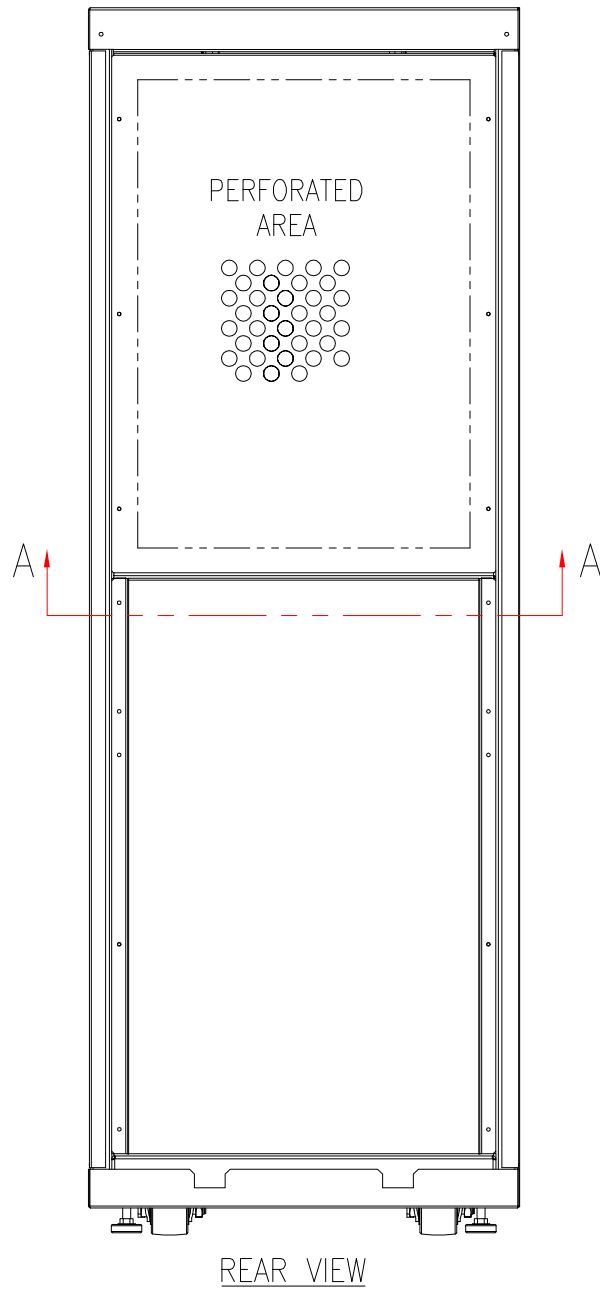
WEIGHT DETAILS

SKU	Number of Battery modules	Weight
		kg
SUVTXR2B6S	2	399
SUVTXR2B6S+(1)SYBT4	3	491
SUVTXR2B6S+(2)SYBT4	4	583
SUVTXR2B6S+(3)SYBT4	5	675
SUVTXR2B6S+(4)SYBT4	6	767

THIS DRAWING AND SPECIFICATIONS HEREIN ARE THE PROPERTY OF AMERICAN POWER CONVERSION AND SHALL NOT BE COPIED, REPRODUCED OR USED IN WHOLE OR IN PART, AS THE BASIS FOR THE MANUFACTURE OR SALE OF ITEMS WITHOUT WRITTEN PERMISSION FROM APC. THIS DRAWING IS BASED UPON LATEST AVAILABLE INFORMATION AND IS SUBJECT TO CHANGE WITHOUT NOTICE.

TITLE: SMART-UPS VT XR-CABINET WITHOUT DC BREAKER W/2 BATT. MODULE EXP. TO 6 MAIN MECHANICAL		DWG NO: SUVTXR2B6S-MM1		REV. 1
DRAWN: C KRISHNA	23/08/05	CHECKED: B.H.NIELSEN/M.SALOKHE	23/08/05	PROJECTION
PROJECT: SUBMITTAL DRAWING	SHEET 1 OF 5	ENGINEER: C.LARSEN/S.WAGH	23/08/05	⊕



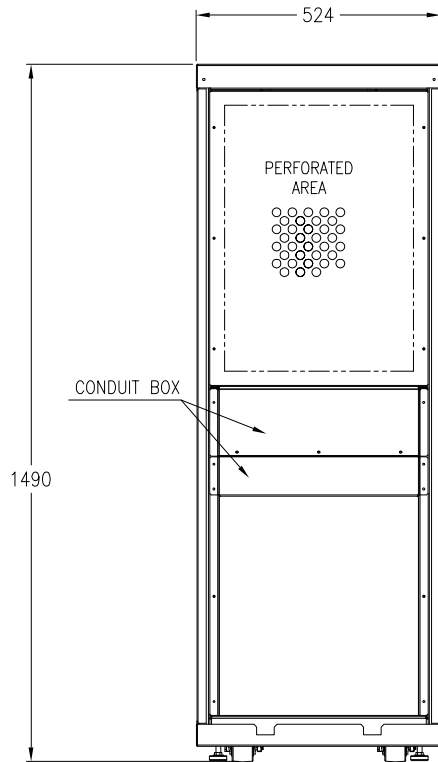


NOTES:

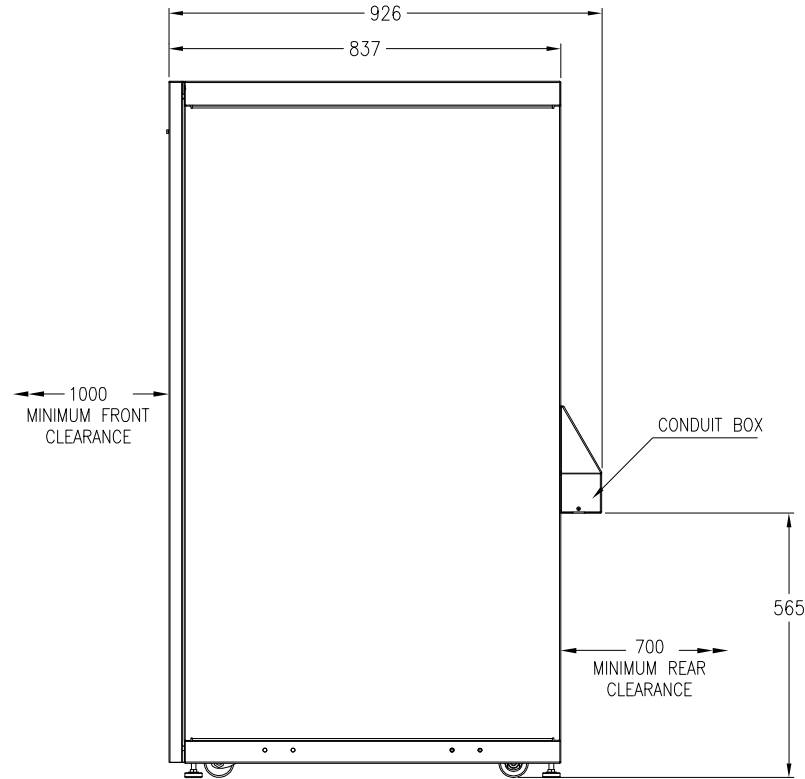
1. PLEASE REFER TO APC PRODUCT MANUAL.
2. ALL DIMENSIONS ARE IN MILLIMETERS.
3. INSTALLATION MUST COMPLY WITH NATIONAL AND LOCAL ELECTRICAL REGULATIONS.

THIS DRAWING AND SPECIFICATIONS HEREIN ARE THE PROPERTY OF AMERICAN POWER CONVERSION AND SHALL NOT BE COPIED, REPRODUCED OR USED IN WHOLE OR IN PART, AS THE BASIS FOR THE MANUFACTURE OR SALE OF ITEMS WITHOUT WRITTEN PERMISSION FROM APC. THIS DRAWING IS BASED UPON LATEST AVAILABLE INFORMATION AND IS SUBJECT TO CHANGE WITHOUT NOTICE.		TITLE: SMART-UPS VT XR-CABINET WITHOUT DC BREAKER W/2 BATT. MODULE EXP. TO 6 REAR VIEW		DWG NO: SUVTR2B6S-MM2		REV. 1	
PROJECT: SUBMITTAL DRAWING		SHEET 2 OF 5		DRAWN: C. KRISHNA		23/08/05	
				CHECKED: B.H.NIELSEN/M.SALOKHE		23/08/05	
				ENGINEER: C.LARSEN/S.WAGH		23/08/05	
				PROJECTION			
				 AMERICAN POWER CONVERSION 132 FARGROUNDS RD WEST KINGSTON, RI 02892			

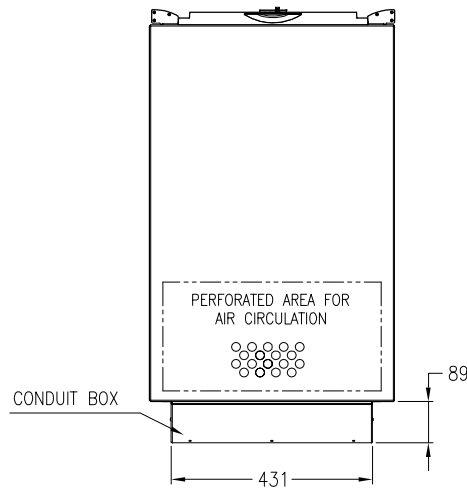
UNIT WITH OPTIONAL CONDUIT BOX



REAR VIEW



SIDE VIEW



TOP VIEW

NOTES:

1. PLEASE REFER TO INSTALLATION MANUAL FOR DETAILS.
2. ALL DIMENSIONS ARE IN MILLIMETERS.
3. CABLE ENTRY IS REAR OF UNIT VIA CONDUIT BOX.
4. CONDUIT BOX IS NOT PROVIDED WITH THE STANDARD UNIT BUT HAS TO BE ORDERED AS AN OPTION.
5. INSTALLATION MUST COMPLY WITH NATIONAL AND LOCAL ELECTRICAL REGULATIONS.

THIS DRAWING AND SPECIFICATIONS HEREIN ARE THE PROPERTY OF AMERICAN POWER CONVERSION AND SHALL NOT BE COPIED, REPRODUCED OR USED IN WHOLE OR IN PART, AS THE BASIS FOR THE MANUFACTURE OR SALE OF ITEMS WITHOUT WRITTEN PERMISSION FROM APC. THIS DRAWING IS BASED UPON LATEST AVAILABLE INFORMATION AND IS SUBJECT TO CHANGE WITHOUT NOTICE.

TITLE: SMART-UPS VT XR-CABINET
WITHOUT DC BREAKER
W/2 BATT. MODULE EXP. TO 6
CONDUIT BOX OPTION

DWG NO: SUVTR2B6S-MM2

REV. 1

DRAWN: C. KRISHNA 23/08/05

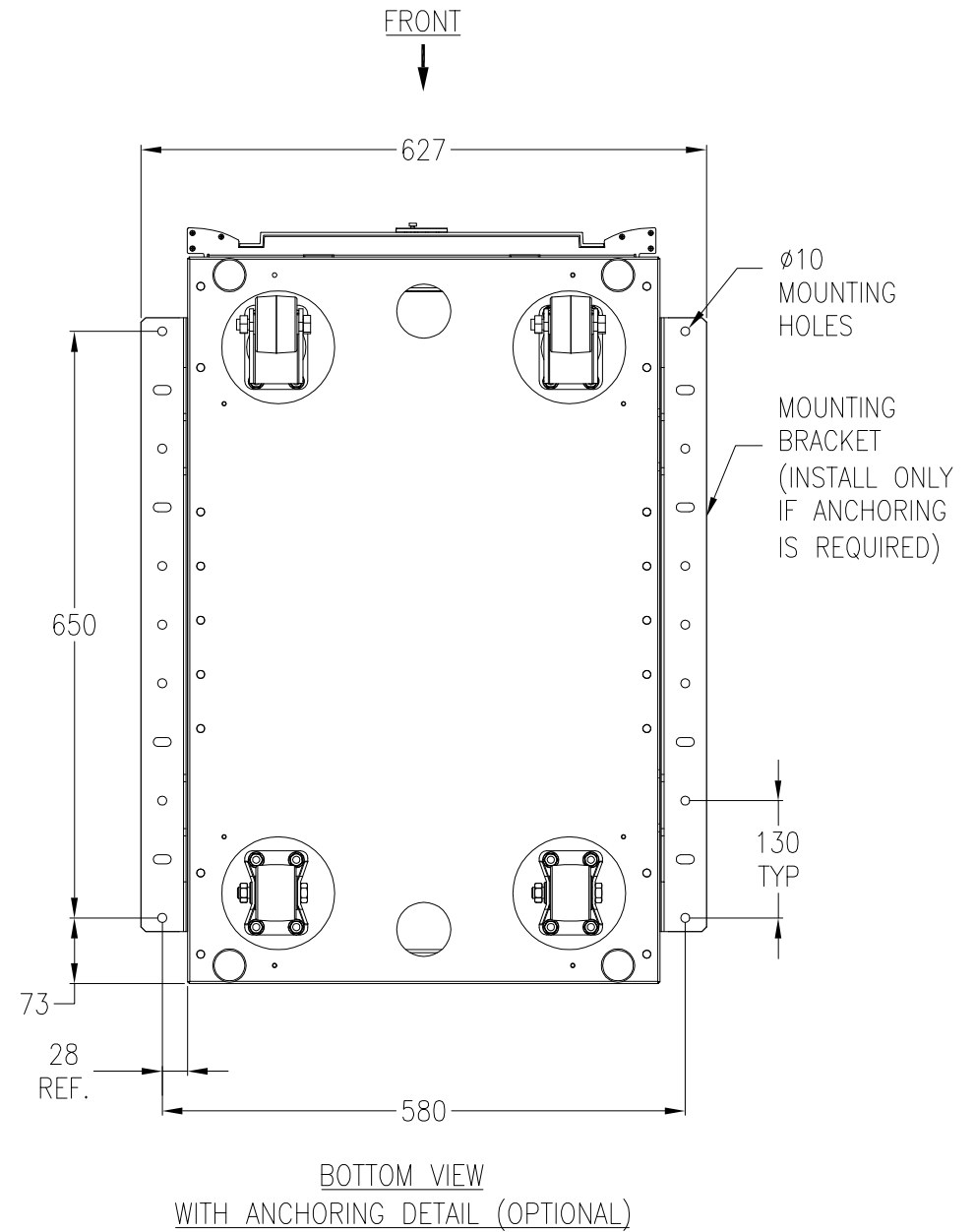
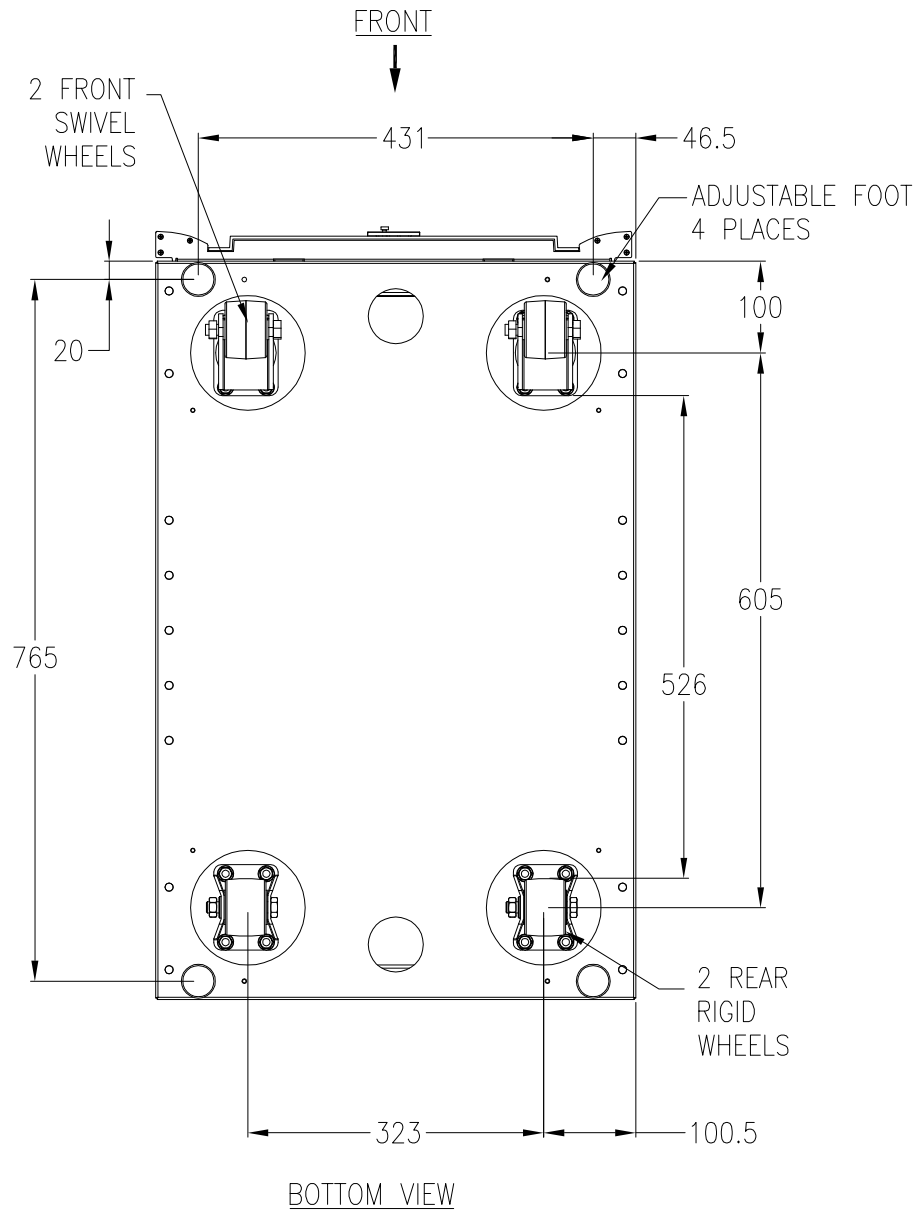
CHECKED: B.H.NIELSEN/M.SALOKHE 23/08/05

ENGINEER: C.LARSEN/S.WAGH 23/08/05

PROJECTION


APC[®]
 AMERICAN POWER CONVERSION
 132 FARGROUNDS RD
 WEST KINGSTON, RI 02892

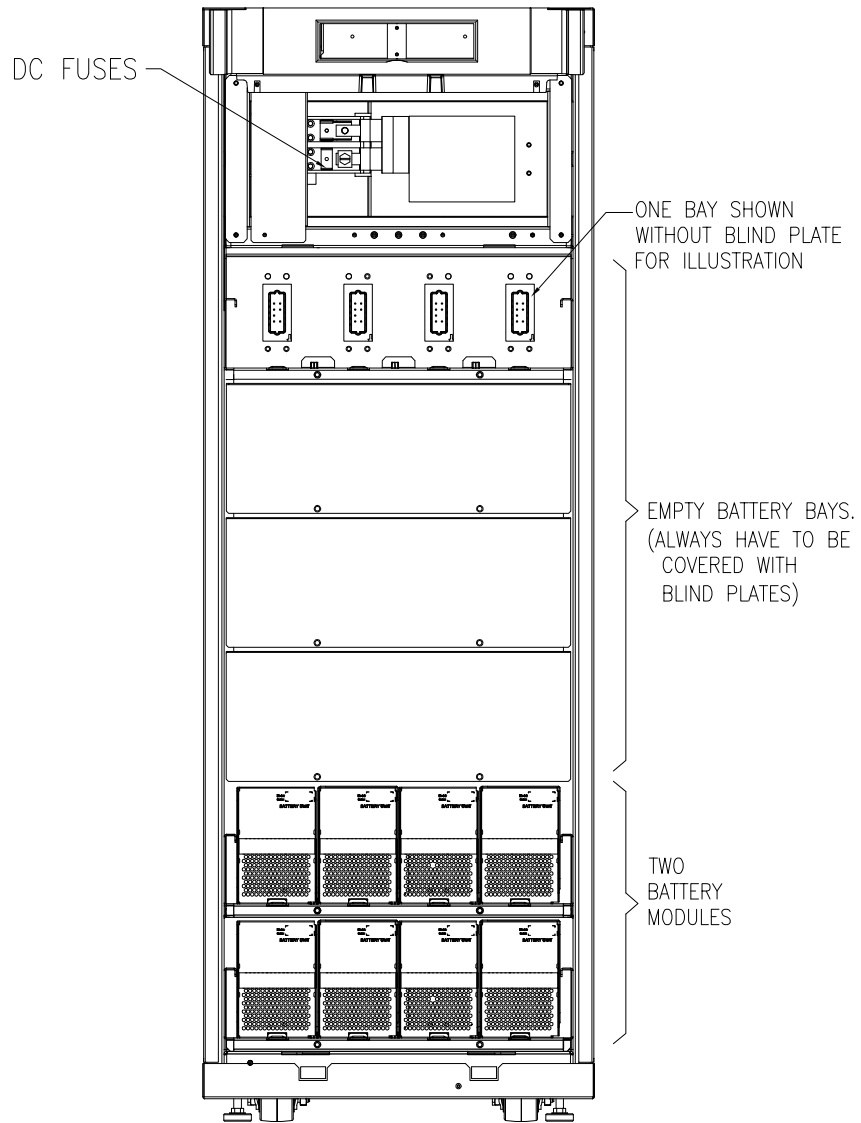
PROJECT: SUBMITTAL DRAWING SHEET 3 OF 5



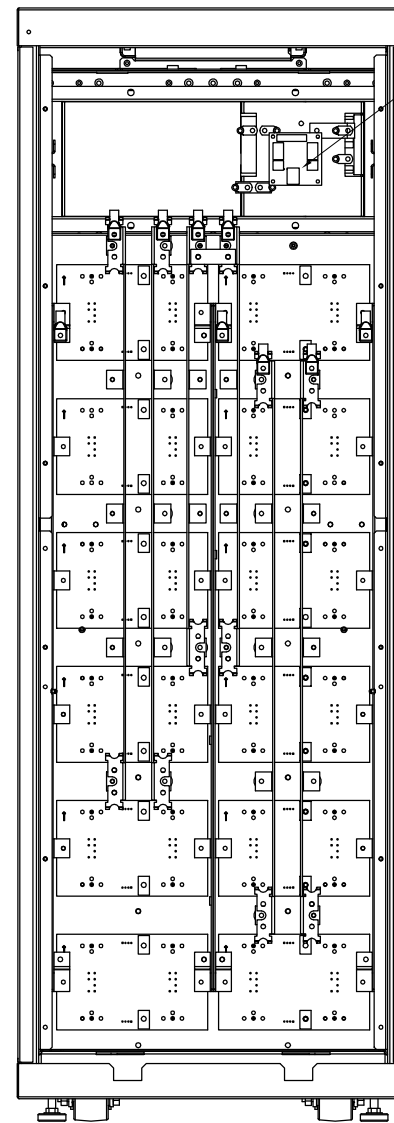
NOTES:

1. PLEASE REFER TO APC PRODUCT MANUAL.
2. ALL DIMENSIONS ARE IN MILLIMETERS.
3. INSTALLATION MUST COMPLY WITH NATIONAL AND LOCAL ELECTRICAL REGULATIONS.

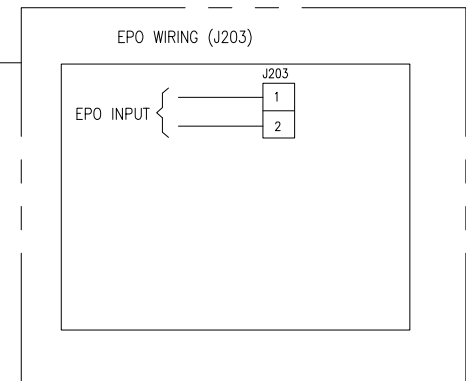
THIS DRAWING AND SPECIFICATIONS HEREIN ARE THE PROPERTY OF AMERICAN POWER CONVERSION AND SHALL NOT BE COPIED, REPRODUCED OR USED IN WHOLE OR IN PART, AS THE BASIS FOR THE MANUFACTURE OR SALE OF ITEMS WITHOUT WRITTEN PERMISSION FROM APC. THIS DRAWING IS BASED UPON LATEST AVAILABLE INFORMATION AND IS SUBJECT TO CHANGE WITHOUT NOTICE.	TITLE: SMART-UPS VT XR-CABINET WITHOUT DC BREAKER		DWG NO: SUVTXR2B6S-MM2	REV. 1
	W/2 BATT. MODULE EXP. TO 6		DRAWN: C. KRISHNA	23/08/05
	BOTTOM VIEW		CHECKED: B.H.NIELSEN/M.SALOKHE	23/08/05
	PROJECT: SUBMITTAL DRAWING	SHEET 4 OF 5	ENGINEER: C.LARSEN/S.WAGH	23/08/05
			PROJECTION	 AMERICAN POWER CONVERSION 132 FARGROUNDS RD WEST KINGSTON, RI 02892



FRONT VIEW
PANEL REMOVED



REAR VIEW
PANEL REMOVED



EPO is activated when an isolated SELV 24 VDC voltage is supplied on pin 1 with reference to pin 2

NOTES:

1. PLEASE REFER TO APC PRODUCT MANUAL.
2. ALL DIMENSIONS ARE IN MILLIMETERS.
3. SUVT UPS IS DESIGNED FOR SINGLE AND DUAL MAINS.
SINGLE MAINS INSTALLATION IS A DEFAULT.
4. INSTALLATION MUST COMPLY WITH NATIONAL AND LOCAL ELECTRICAL REGULATIONS.

THIS DRAWING AND SPECIFICATIONS HEREIN ARE THE PROPERTY OF AMERICAN POWER CONVERSION AND SHALL NOT BE COPIED, REPRODUCED OR USED IN WHOLE OR IN PART, AS THE BASIS FOR THE MANUFACTURE OR SALE OF ITEMS WITHOUT WRITTEN PERMISSION FROM APC. THIS DRAWING IS BASED UPON LATEST AVAILABLE INFORMATION AND IS SUBJECT TO CHANGE WITHOUT NOTICE.

TITLE: SMART-UPS VT XR-CABINET
WITHOUT DC BREAKER
W/2 BATT. MODULE EXP. TO 6
INTERNAL FRONT AND REAR VIEW
PROJECT: SUBMITTAL DRAWING SHEET 5 OF 5

DWG NO: SUVTXR2B6S-ME	REV. 1
DRAWN: C KRISHNA	23/08/05
CHECKED: B.H.NIELSEN/M.SALOKHE	23/08/05
ENGINEER: C.LARSEN/S.WAGH	23/08/05

PROJECTION

APC[®]
 AMERICAN POWER CONVERSION
 132 FARGROUNDS RD
 WEST KINGSTON, RI 02892