

NOTES:

1. PLEASE REFER TO INSTALLATION MANUAL FOR DETAILS
2. ALL DIMENSIONS ARE IN MILLIMETERS.
3. CABLE ENTRY IS REAR OF UNIT.
SEE UNIT WITH OPTIONAL CONDUIT BOX ON PAGE 3.
4. FRONT AND REAR SERVICE CLEARANCE AND TOP COOLING CLEARANCE REQUIRED.
5. WEIGHT OF UNIT IS 767 kg.
- △ 6. CENTER OF GRAVITY OF THE UNIT

x-distance mm	y-distance mm	z-distance mm
261	610	397

7. INSTALLATION MUST COMPLY WITH NATIONAL AND LOCAL ELECTRICAL REGULATIONS.

THIS DRAWING AND SPECIFICATIONS HEREIN ARE THE PROPERTY OF AMERICAN POWER CONVERSION AND SHALL NOT BE COPIED, REPRODUCED OR USED IN WHOLE OR IN PART, AS THE BASIS FOR THE MANUFACTURE OR SALE OF ITEMS WITHOUT WRITTEN PERMISSION FROM APC. THIS DRAWING IS BASED UPON LATEST AVAILABLE INFORMATION AND IS SUBJECT TO CHANGE WITHOUT NOTICE.

TITLE: SMART-UPS VT XR-CABINET
WITH DC BREAKER
W/6 BATT. MODULES
MAIN MECHANICAL

DWG NO: SUVTBXR6B6S-MM1

REV. 1

DRAWN: JAYAPRAKASH 23/08/05

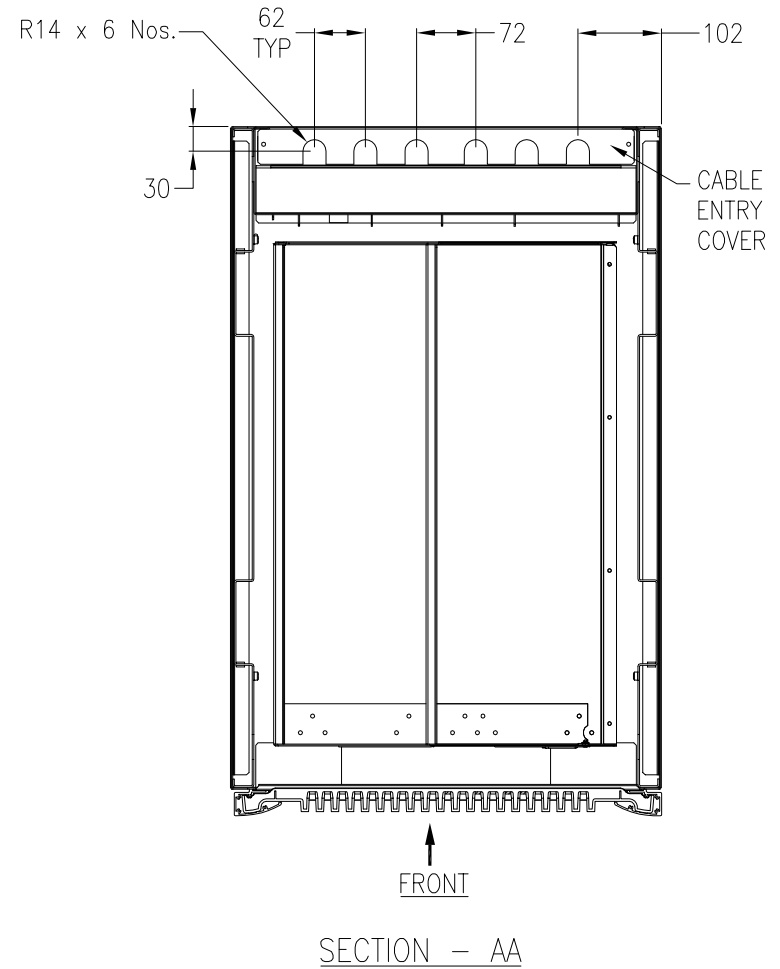
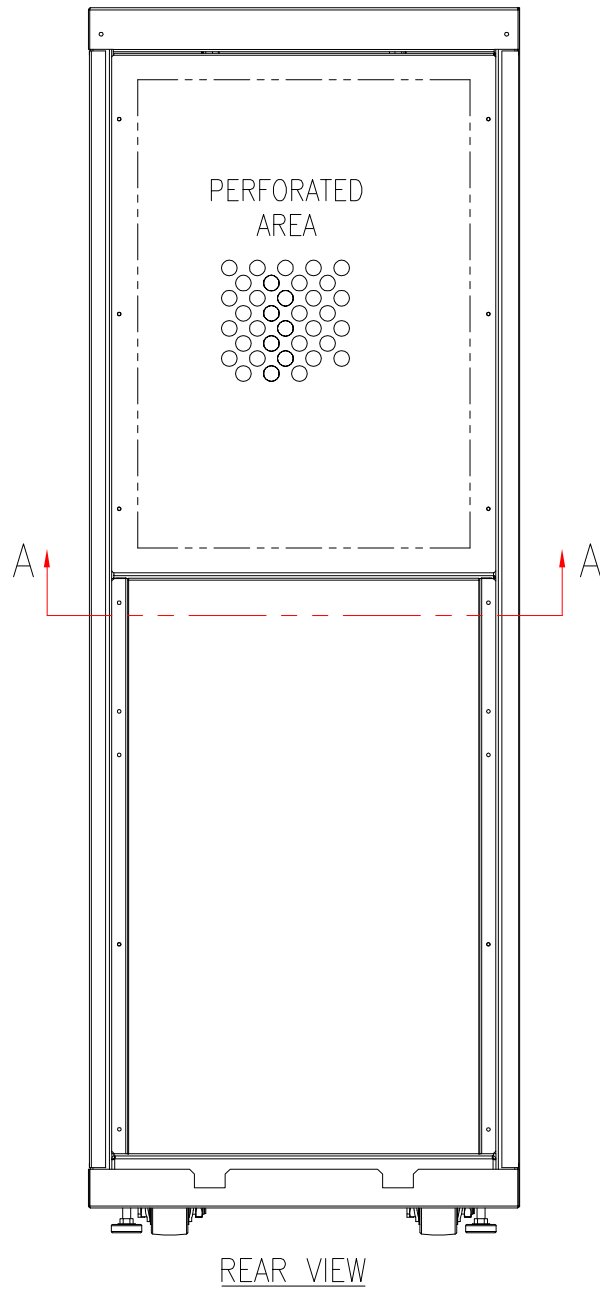
CHECKED: B.H.NIELSEN/M.SALOKHE 23/08/05

ENGINEER: C.LARSEN/S.WAGH 23/08/05

PROJECT: SUBMITTAL DRAWING SHEET 1 OF 5

PROJECTION





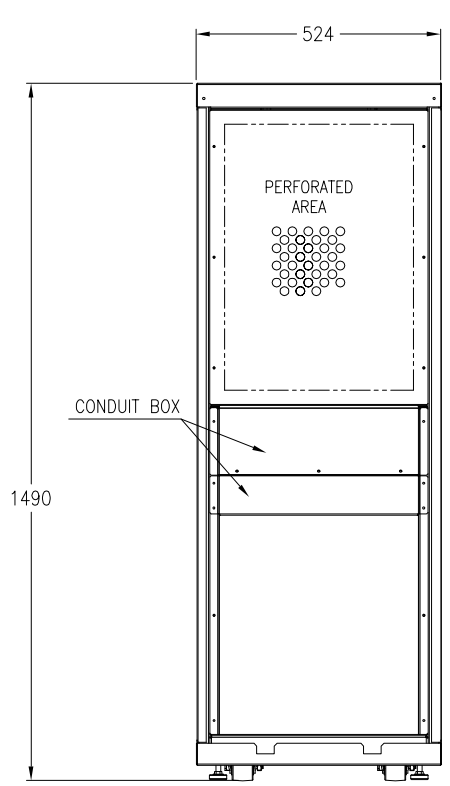
NOTES:

1. PLEASE REFER TO APC PRODUCT MANUAL.
2. ALL DIMENSIONS ARE IN MILLIMETERS.
3. INSTALLATION MUST COMPLY WITH NATIONAL AND LOCAL ELECTRICAL REGULATIONS.

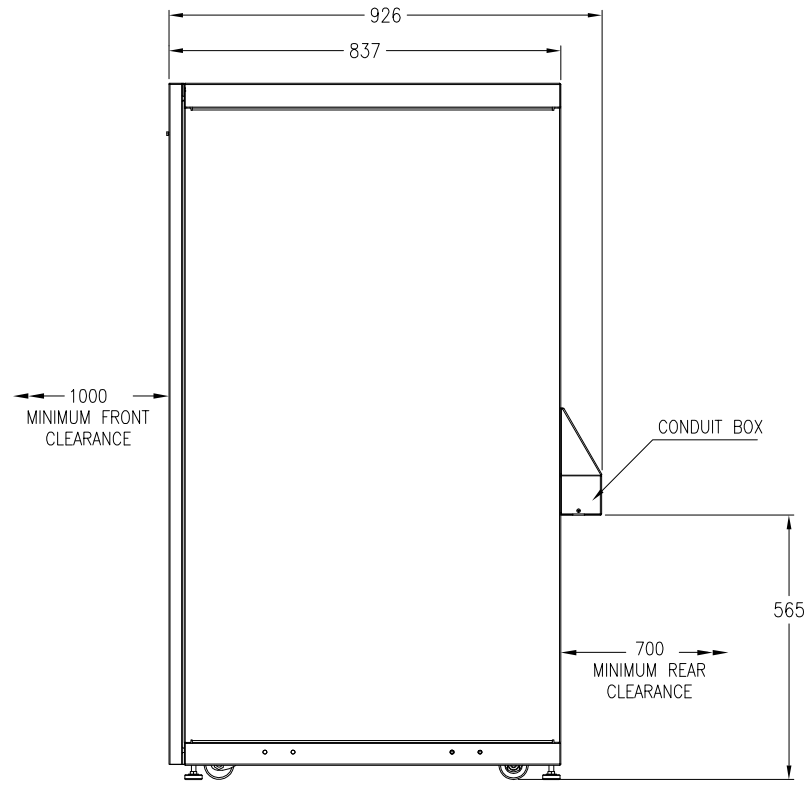
<small>THIS DRAWING AND SPECIFICATIONS HEREIN ARE THE PROPERTY OF AMERICAN POWER CONVERSION AND SHALL NOT BE COPIED, REPRODUCED OR USED IN WHOLE OR IN PART, AS THE BASIS FOR THE MANUFACTURE OR SALE OF ITEMS WITHOUT WRITTEN PERMISSION FROM APC. THIS DRAWING IS BASED UPON LATEST AVAILABLE INFORMATION AND IS SUBJECT TO CHANGE WITHOUT NOTICE.</small>	TITLE: SMART-UPS VT XR-CABINET WITH DC BREAKER W/6 BATT. MODULES REAR VIEW	DWG NO: SUVTBXR6B6S-MM2	REV. 1
	PROJECT: SUBMITTAL DRAWING SHEET 2 OF 5	DRAWN: JAYAPRAKASH CHECKED: B.H.NIELSEN/M.SALOKHE ENGINEER: C.LARSEN/S.WAGH	23/08/05 23/08/05 23/08/05



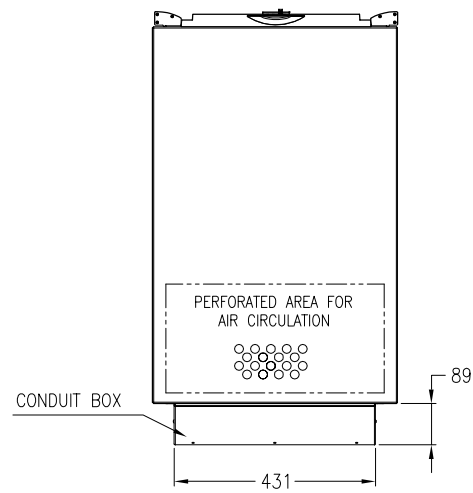
UNIT WITH OPTIONAL CONDUIT BOX



REAR VIEW



SIDE VIEW



TOP VIEW

NOTES:

1. PLEASE REFER TO INSTALLATION MANUAL FOR DETAILS.
2. ALL DIMENSIONS ARE IN MILLIMETERS.
3. CABLE ENTRY IS REAR OF UNIT VIA CONDUIT BOX.
4. CONDUIT BOX IS NOT PROVIDED WITH THE STANDARD UNIT BUT HAS TO BE ORDERED AS AN OPTION.
5. INSTALLATION MUST COMPLY WITH NATIONAL AND LOCAL ELECTRICAL REGULATIONS.

THIS DRAWING AND SPECIFICATIONS HEREIN ARE THE PROPERTY OF AMERICAN POWER CONVERSION AND SHALL NOT BE COPIED, REPRODUCED OR USED IN WHOLE OR IN PART, AS THE BASIS FOR THE MANUFACTURE OR SALE OF ITEMS WITHOUT WRITTEN PERMISSION FROM APC. THIS DRAWING IS BASED UPON LATEST AVAILABLE INFORMATION AND IS SUBJECT TO CHANGE WITHOUT NOTICE.

TITLE: SMART-UPS VT XR-CABINET
WITH DC BREAKER
W/6 BATT. MODULES
CONDUIT BOX OPTION

DWG NO: SUVTBXR6B6S-MM3

REV. 1

DRAWN: JAYAPRAKASH 23/08/05

CHECKED: B.H.NIELSEN/M.SALOKHE 23/08/05

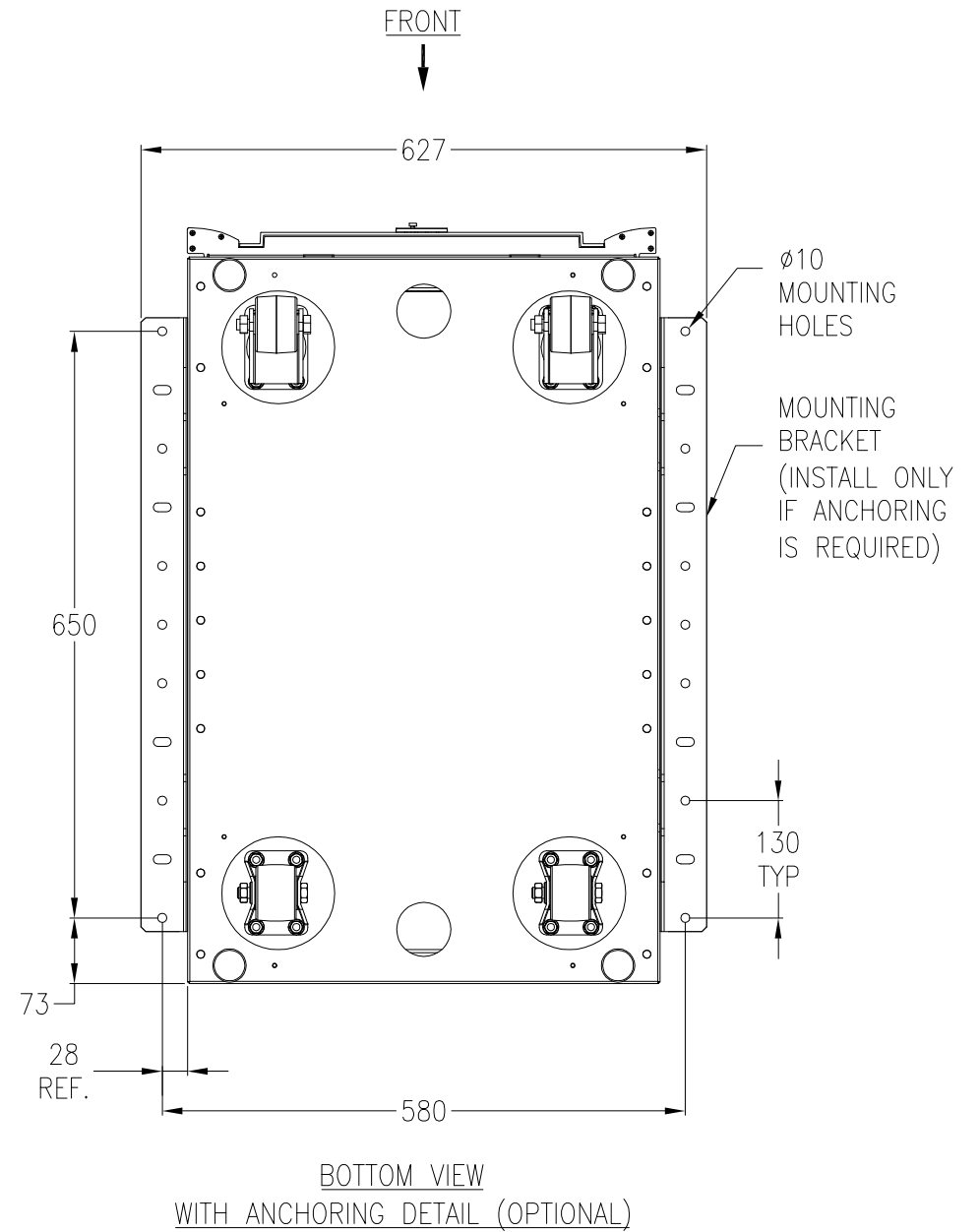
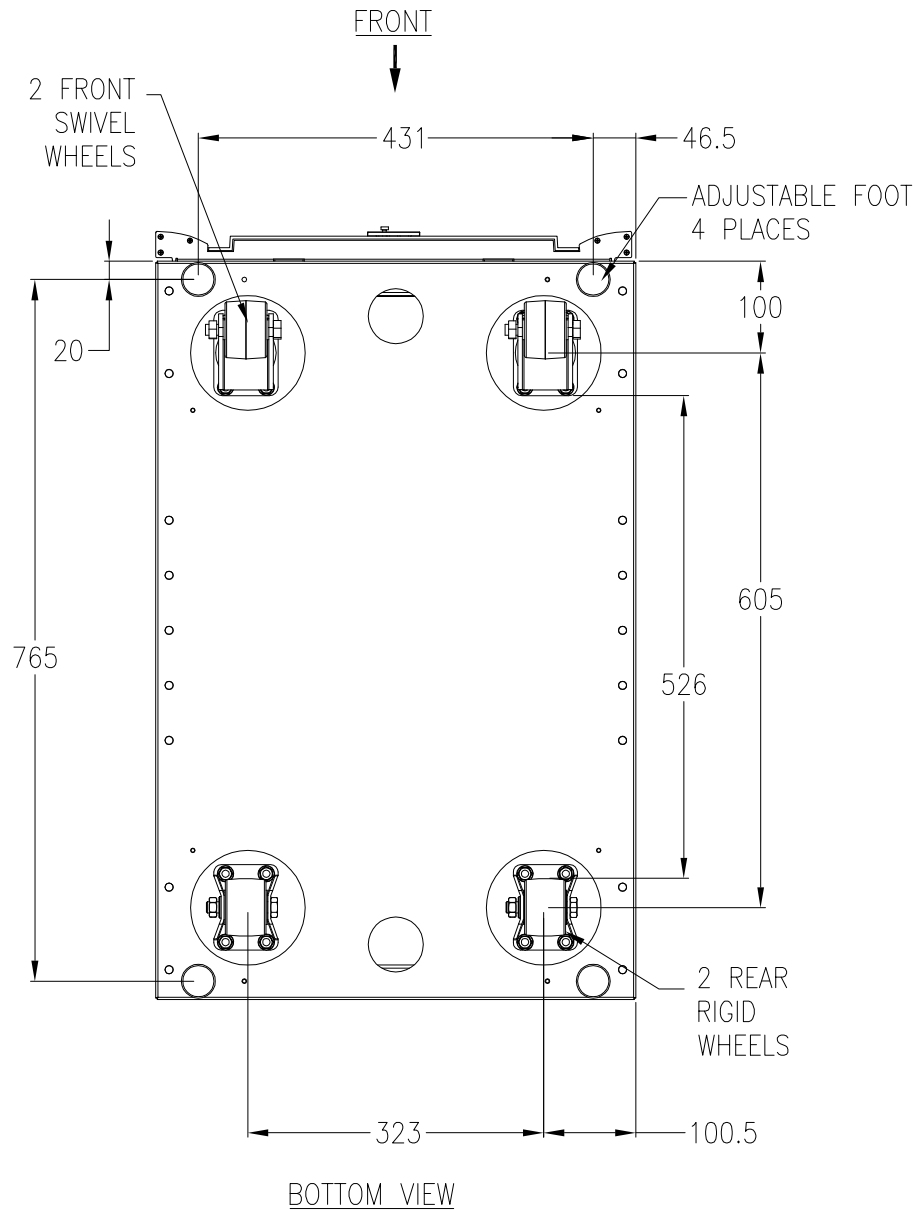
ENGINEER: C.LARSEN/S.WAGH 23/08/05

PROJECT: SUBMITTAL DRAWING

SHEET 3 OF 5

PROJECTION

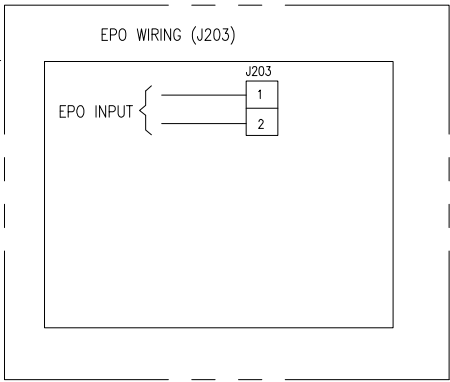
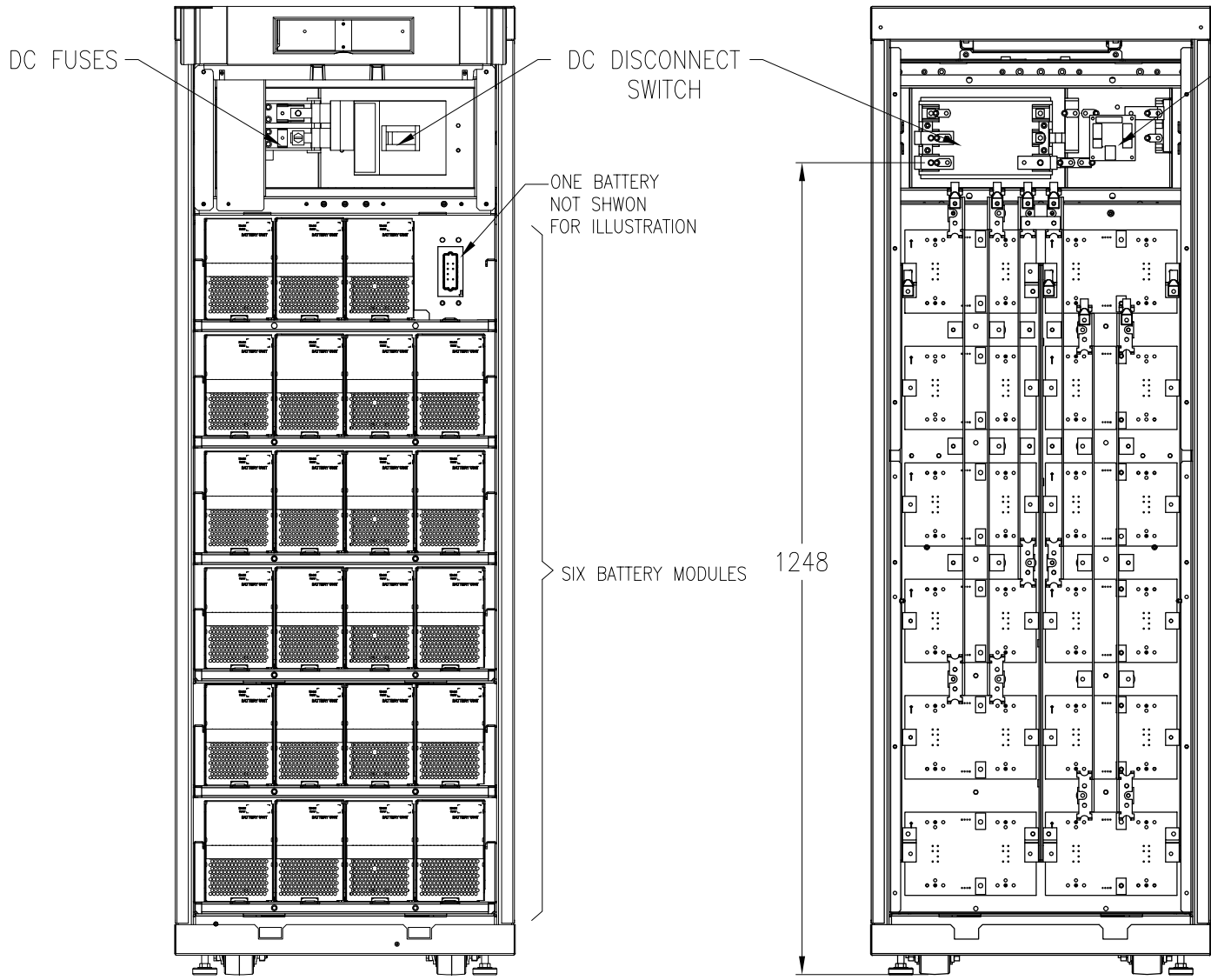




NOTES:

1. PLEASE REFER TO APC PRODUCT MANUAL.
2. ALL DIMENSIONS ARE IN MILLIMETERS.
3. INSTALLATION MUST COMPLY WITH NATIONAL AND LOCAL ELECTRICAL REGULATIONS.

THIS DRAWING AND SPECIFICATIONS HEREIN ARE THE PROPERTY OF AMERICAN POWER CONVERSION AND SHALL NOT BE COPIED, REPRODUCED OR USED IN WHOLE OR IN PART, AS THE BASIS FOR THE MANUFACTURE OR SALE OF ITEMS WITHOUT WRITTEN PERMISSION FROM APC. THIS DRAWING IS BASED UPON LATEST AVAILABLE INFORMATION AND IS SUBJECT TO CHANGE WITHOUT NOTICE.	TITLE: SMART-UPS VT XR-CABINET WITH DC BREAKER W/6 BATT. MODULES BOTTOM VIEW	DWG NO: SUVTBXR6B6S-MM4	REV. 1	<p>AMERICAN POWER CONVERSION 132 FARGROUNDS RD WEST KINGSTON, RI 02892</p>
	PROJECT: SUBMITTAL DRAWING SHEET 4 OF 5	DRAWN: JAYAPRAKASH CHECKED: B.H.NIELSEN/M.SALOKHE ENGINEER: C.LARSEN/S.WAGH	23/08/05 23/08/05 23/08/05	



EPO is activated when an isolated SELV 24 VDC voltage is supplied on pin 1 with reference to pin 2

FRONT VIEW
PANEL REMOVED

REAR VIEW
PANEL REMOVED

- NOTES:
- PLEASE REFER TO APC PRODUCT MANUAL.
 - ALL DIMENSIONS ARE IN MILLIMETERS.
 - SUVT UPS IS DESIGNED FOR SINGLE AND DUAL MAINS.
SINGLE MAINS INSTALLATION IS A DEFAULT.
 - INSTALLATION MUST COMPLY WITH NATIONAL AND LOCAL ELECTRICAL REGULATIONS.

<small>THIS DRAWING AND SPECIFICATIONS HEREIN ARE THE PROPERTY OF AMERICAN POWER CONVERSION AND SHALL NOT BE COPIED, REPRODUCED OR USED IN WHOLE OR IN PART, AS THE BASIS FOR THE MANUFACTURE OR SALE OF ITEMS WITHOUT WRITTEN PERMISSION FROM APC. THIS DRAWING IS BASED UPON LATEST AVAILABLE INFORMATION AND IS SUBJECT TO CHANGE WITHOUT NOTICE.</small>	TITLE: SMART-UPS VT XR-CABINET WITH DC BREAKER W/6 BATT. MODULES INTERNAL FRONT AND REAR VIEW		DWG NO: SUVTBXR6B6S-ME	REV: 1
	DRAWN: JAYAPRAKASH	DATE: 23/08/05	CHECKED: B.H.NIELSEN/M.SALOKHE	PROJECTION:
	PROJECT: SUBMITTAL DRAWING	SHEET: 5 OF 5	ENGINEER: C.LARSEN/S.WAGH	
	<small>AMERICAN POWER CONVERSION 132 FARGROUNDS RD WEST KINGSTON, RI 02892</small>			