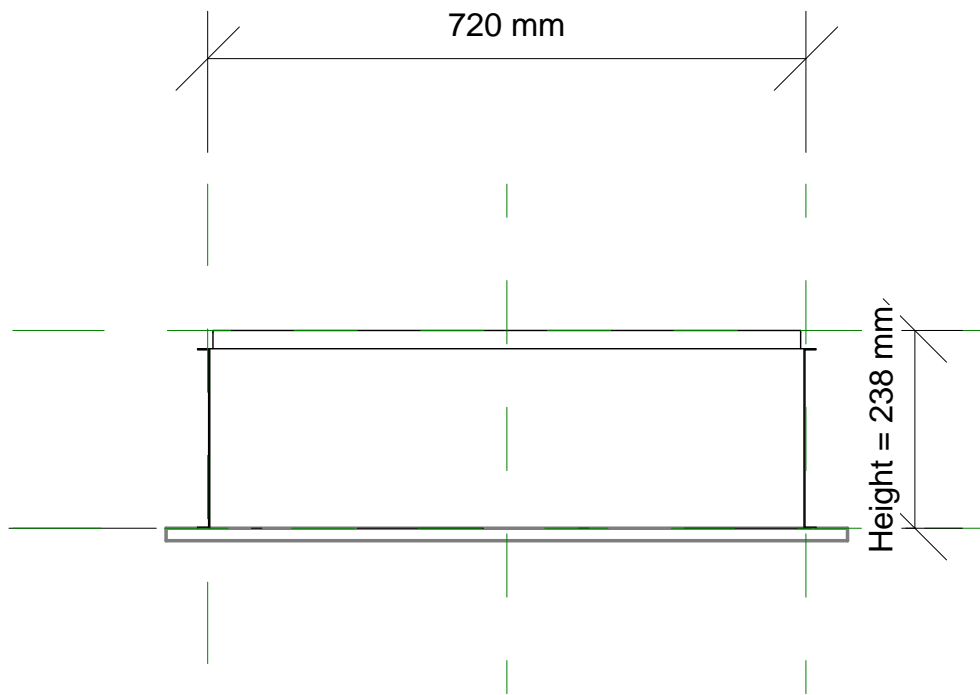
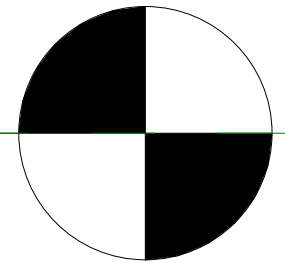


# BACK VIEW



Ref. Level  
0 mm



# BOTTOM VIEW

