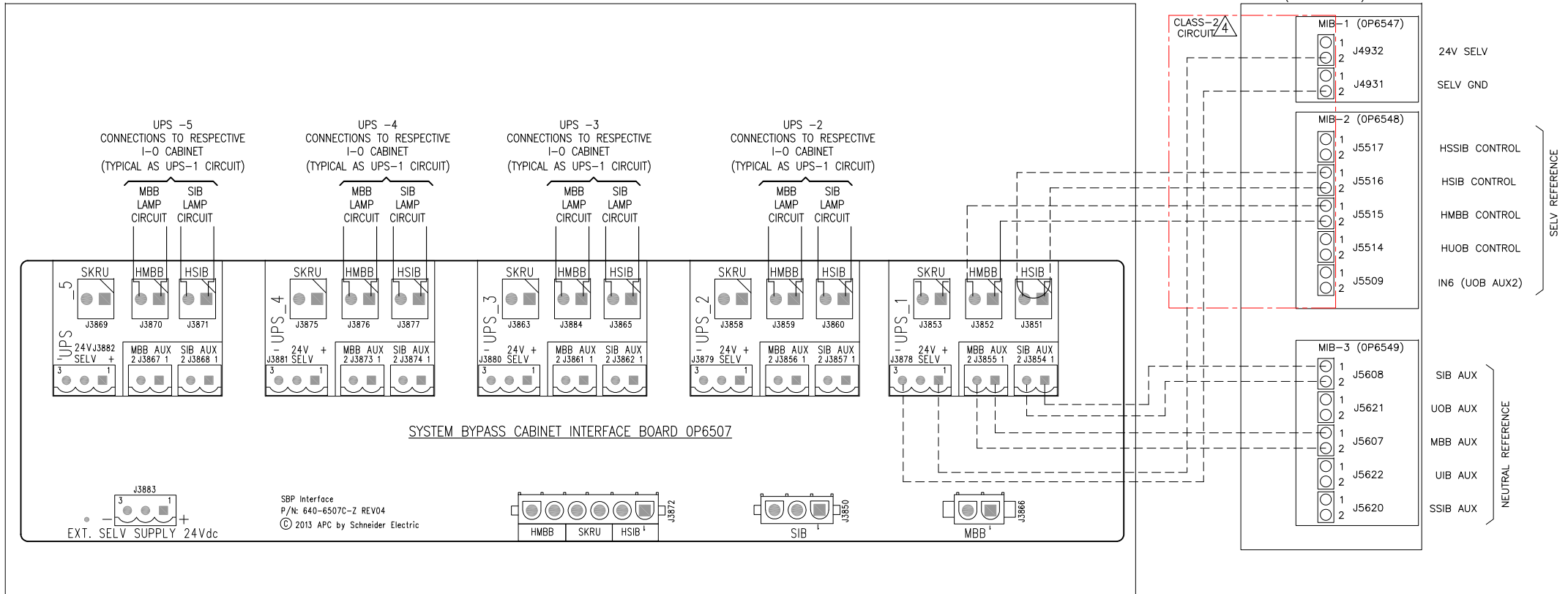


SYSTEM BYPASS CABINET 

GALAXY VX UPS-1  
INPUT-OUTPUT CABINET  
(GVX11250KD)



1. INSTALLATION MUST COMPLY WITH ALL APPLICABLE NATIONAL, STATE AND LOCAL ELECTRICAL REGULATIONS.
2. REFER TO PRODUCT DOCUMENTATION FOR ADDITIONAL DETAILS PRIOR TO INSTALLATION AND SITE PREPARATION WORK.
3. FOR LATEST REVISION OF BOARD PART NUMBERS CONTACT SCHNEIDER ELECTRIC.
- △4. CLASS 2 CIRCUIT MUST BE SEPARATED FROM OTHER CABLES.
5. ALL CIRCUITS CONNECTED MUST HAVE THE SAME 0 V REFERENCE.
- - - = CABLES PROVIDED BY OTHERS.
- △7. ETO = ENGINEER TO ORDER ITEM. FOR DETAILS CONTACT SCHNEIDER ELECTRIC.

THIS DRAWING AND SPECIFICATIONS HEREIN ARE THE PROPERTY OF SCHNEIDER ELECTRIC AND SHALL NOT BE COPIED, REPRODUCED OR USED IN WHOLE OR IN PART, AS THE BASIS FOR THE MANUFACTURE OR SALE OF ITEMS WITHOUT WRITTEN PERMISSION FROM SCHNEIDER ELECTRIC. THIS DRAWING IS BASED UPON LATEST AVAILABLE INFORMATION AND IS SUBJECT TO CHANGE WITHOUT NOTICE.

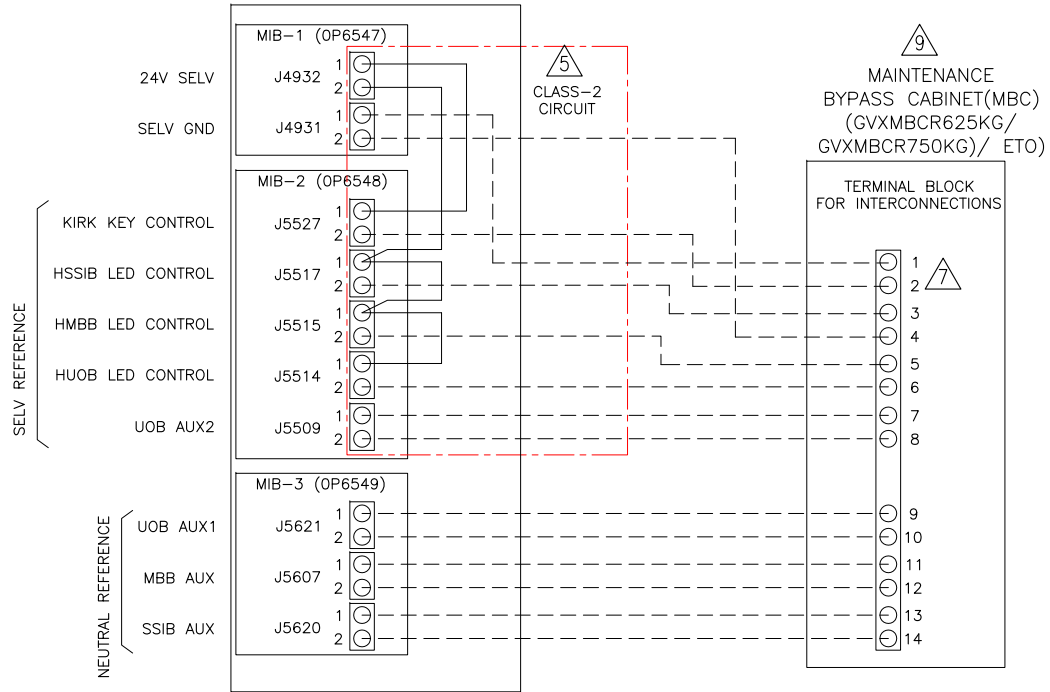


TITLE: Galaxy VX SINGLE/PARALLEL  
UPS 500/625/750/800/1000/1100/1250kVA  
Input 380/400/415V, 3PH, 50Hz, SINGLE/DUAL MAINS  
Output 380/400/415V, 3PH, 50Hz  
SYSTEM WIRING DIAGRAM (SBC TO UPS)

DWG NO:	GVX500K1250NHS-WD	REV:	0
DRAWN:	BALA	12-MAR-20	ANGLE
ENGINEER:	K T	19-MAY-20	PROJECTION:
APPROVED:	K T	19-MAY-20	N/A

SIGNAL INTERFACE BETWEEN UPS INPUT-OUTPUT  
CABINET AND MAINTENANCE BYPASS CABINET (MBC)

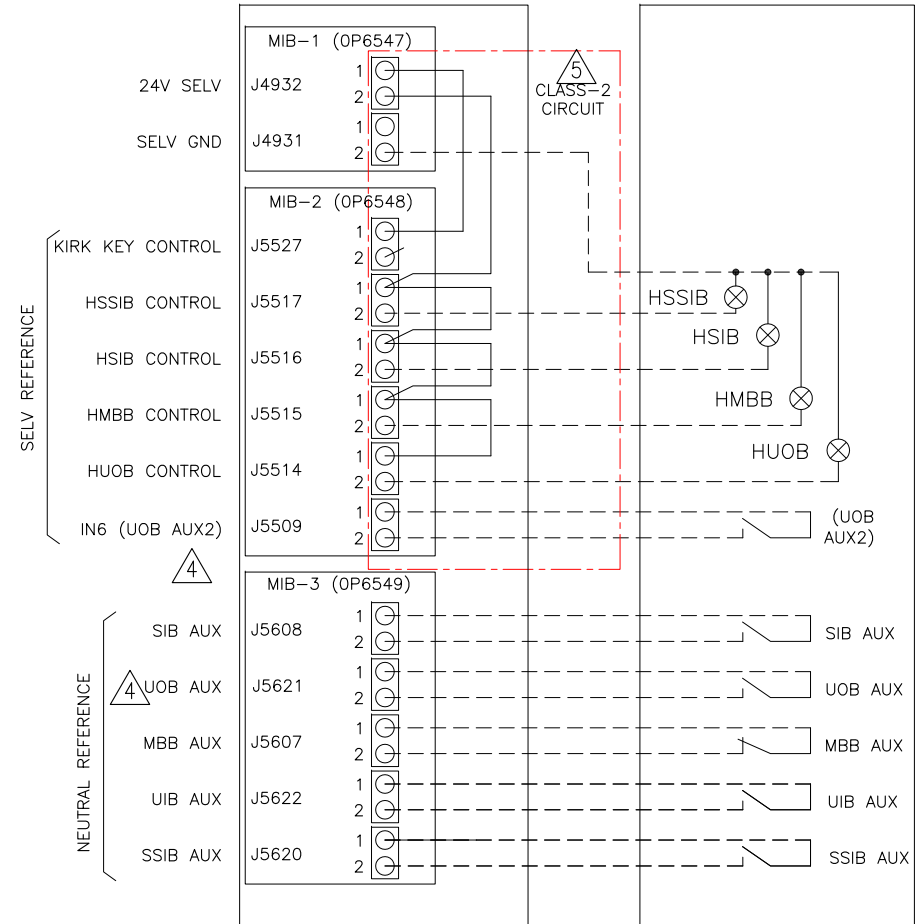
Galaxy VX UPS  
INPUT-OUTPUT  
CABINET  
(GVX11250KD)



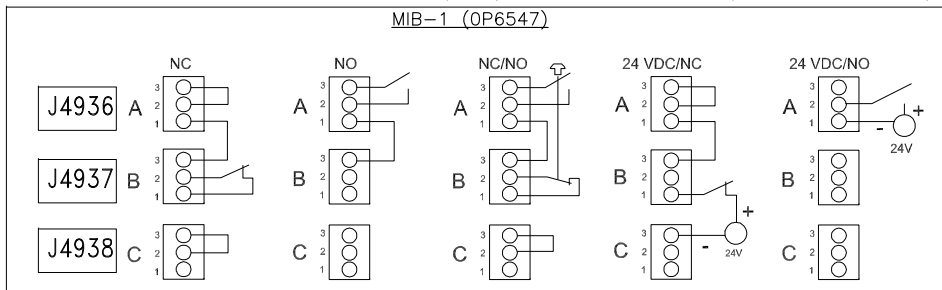
SIGNAL INTERFACE BETWEEN UPS  
INPUT-OUTPUT CABINET AND THIRD PARTY  
SYSTEM BYPASS SWITCHGEAR UNIT

Galaxy VX UPS  
INPUT-OUTPUT  
CABINET  
(GVX11250KD)

THIRD PARTY  
SYSTEM BYPASS  
SWITCHGEAR UNIT



EMERGENCY POWER OFF (EPO) CONFIGURATIONS (IN GVX11250KD)



1. INSTALLATION MUST COMPLY WITH ALL APPLICABLE NATIONAL, STATE AND LOCAL ELECTRICAL REGULATIONS.
2. REFER TO PRODUCT DOCUMENTATION FOR ADDITIONAL DETAILS PRIOR TO INSTALLATION AND SITE PREPARATION WORK.
3. FOR LATEST REVISION OF BOARD PART NUMBERS CONTACT SCHNEIDER ELECTRIC.
- △4. THE UOB MUST INCLUDE TWO SEPARATED AUXILIARY SWITCHES.
- △5. ALL CIRCUITS CONNECTED MUST HAVE THE SAME 0 V REFERENCE.
6. - - - - = CABLES PROVIDED BY OTHERS.
- △7. MBC IS AN ETO (ENGINEER TO ORDER) ITEM. FOR DETAILS CONTACT SCHNEIDER ELECTRIC.  
FOR MBC WITHOUT SSIB CONFIGURATIONS PINS 1, 2, 3, 13 & 14 NOT USED,  
FOR MBC WITH SSIB CONFIGURATIONS PINS 1 & 2 NOT USED.

THIS DRAWING AND SPECIFICATIONS HEREIN ARE THE PROPERTY OF SCHNEIDER ELECTRIC AND SHALL NOT BE COPIED, REPRODUCED OR USED IN WHOLE OR IN PART, AS THE BASIS FOR THE MANUFACTURE OR SALE OF ITEMS WITHOUT WRITTEN PERMISSION FROM SCHNEIDER ELECTRIC. THIS DRAWING IS BASED UPON LATEST AVAILABLE INFORMATION AND IS SUBJECT TO CHANGE WITHOUT NOTICE.



TITLE: Galaxy VX SINGLE/PARALLEL  
UPS 500/625/750/800/1000/1100/1250KVA  
Input 380/400/415V, 3PH, 50Hz, SINGLE/DUAL MAINS  
Output 380/400/415V, 3PH, 50Hz  
SYSTEM WIRING DIAGRAM (MBC, EPO&3RD PARTY MBC)

PROJECT: DRAWINGS SHEET 2 OF 6

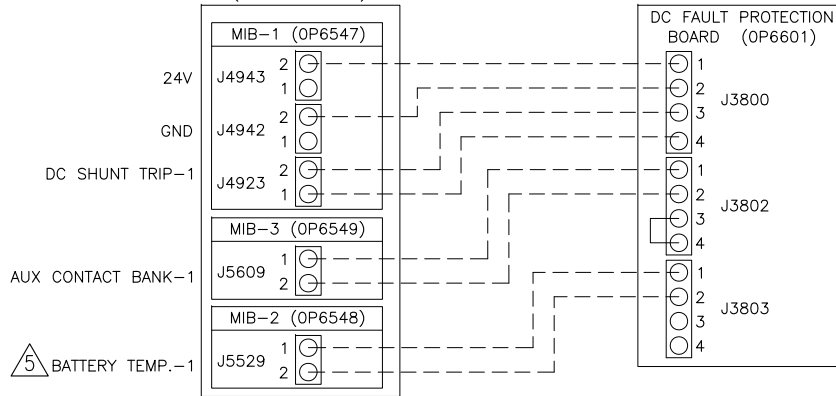
DWG NO: GVX500K1250NHS-WD REV. 0

DRAWN:	BALA	12-MAR-20	ANGLE
ENGINEER:	K T	19-MAY-20	PROJECTION:
APPROVED:	K T	19-MAY-20	N/A

SIGNAL INTERFACE BETWEEN UPS INPUT-OUTPUT CABINET AND CLASSIC BATTERY CABINETS 5 8

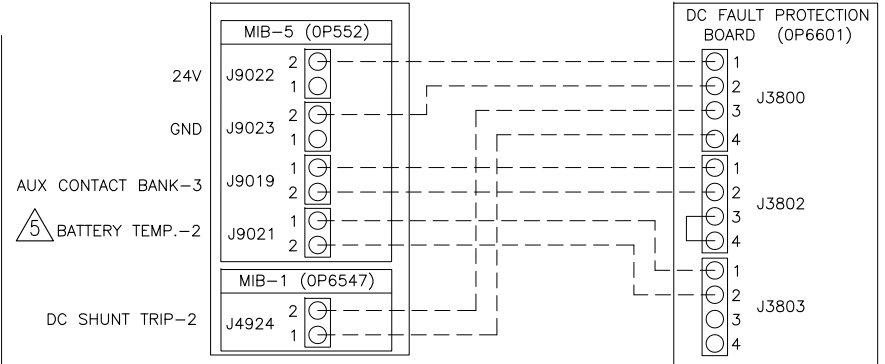
Galaxy VX UPS INPUT-OUTPUT CABINET (GVX11250KD)

CLASSIC BATTERY CABINET-1A



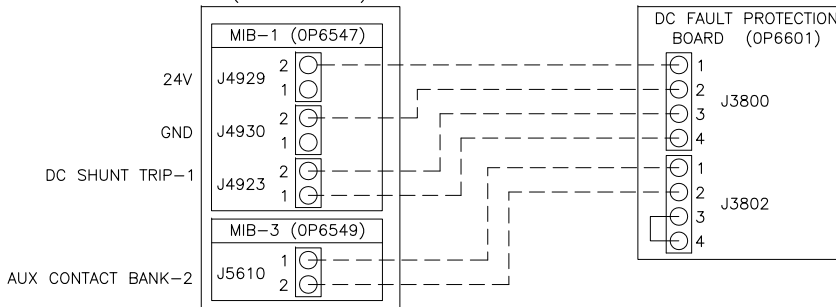
Galaxy VX UPS INPUT-OUTPUT CABINET (GVX11250KD)

CLASSIC BATTERY CABINET-3A



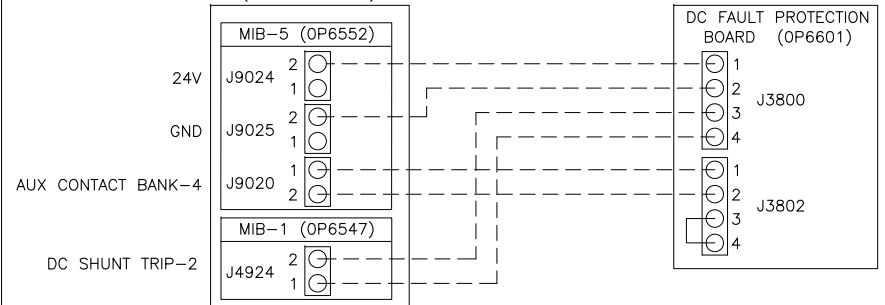
Galaxy VX UPS INPUT-OUTPUT CABINET (GVX11250KD)

CLASSIC BATTERY CABINET-2A



Galaxy VX UPS INPUT-OUTPUT CABINET (GVX11250KD)

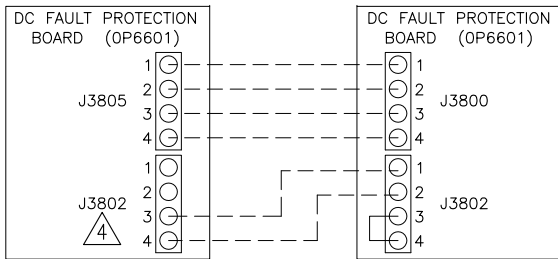
CLASSIC BATTERY CABINET-4A



CLASSIC BATTERY CABINET-1

CLASSIC BATTERY CABINET-2

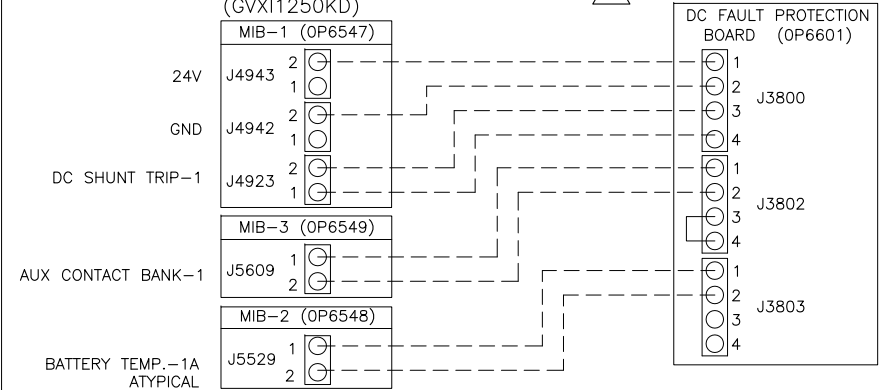
BATTERY BANK CONFIGURATION



BATTERY SRTING NUMBER	BANK-1	BANK-2	BANK-3	BANK-4
1	1			
2	1	1		
3	1	1	1	
4	1	1	1	1
5	2	1	1	1
6	2	2	1	1
7	2	2	2	1
8	2	2	2	2

Galaxy VX UPS INPUT-OUTPUT CABINET (GVX11250KD)

SCHNEIDER ELECTRIC BATTERY BREAKER CABINET



NOTES:

- INSTALLATION MUST COMPLY WITH ALL APPLICABLE NATIONAL, STATE AND LOCAL CODES.
- REFER TO PRODUCT DOCUMENTATION FOR ADDITIONAL DETAILS PRIOR TO INSTALLATION AND SITE PREPARATION WORK.
- FOR LATEST REVISION OF BOARD PART NUMBERS CONTACT SCHNEIDER ELECTRIC.
- REMOVED THE EXISTING JUMPER BETWEEN TERMINALS 3 AND 4.
- THE TEMPERATURE SENSORS CAN BE INSTALLED IN ANY OF THE CLASSIC BATTERY CABINETS.
- STRINGS 7 & 8 AND/OR BOTTOM ENTRY REQUIRES BATTERY BREAKER CABINET OR CENTER FUSED PULL CABINET.
- ETO = ENGINEER TO ORDER ITEM. FOR DETAILS CONTACT SCHNEIDER ELECTRIC.
- FOR LI-Ion BATTERY SOLUTION REFER TO DRAWING NO: "LIBATSMGGIEC - LI-LON BATTERY RACK TYPE G-IEC".

THIS DRAWING AND SPECIFICATIONS HEREIN ARE THE PROPERTY OF SCHNEIDER ELECTRIC AND SHALL NOT BE COPIED, REPRODUCED OR USED IN WHOLE OR IN PART, AS THE BASIS FOR THE MANUFACTURE OR SALE OF ITEMS WITHOUT WRITTEN PERMISSION FROM SCHNEIDER ELECTRIC. THIS DRAWING IS BASED UPON LATEST AVAILABLE INFORMATION AND IS SUBJECT TO CHANGE WITHOUT NOTICE.



TITLE: Galaxy VX SINGLE/PARALLEL UPS 500/625/750/800/1000/1100/1250kVA Input 380/400/415V, 3PH, 50Hz, SINGLE/DUAL MAINS Output 380/400/415V, 3PH, 50Hz SYSTEM WIRING DIAGRAM (BATTERY SOLUTION)

DWG NO: GVX500K1250NHS-WD REV. 1

DRAWN: BALA 22-JUN-20

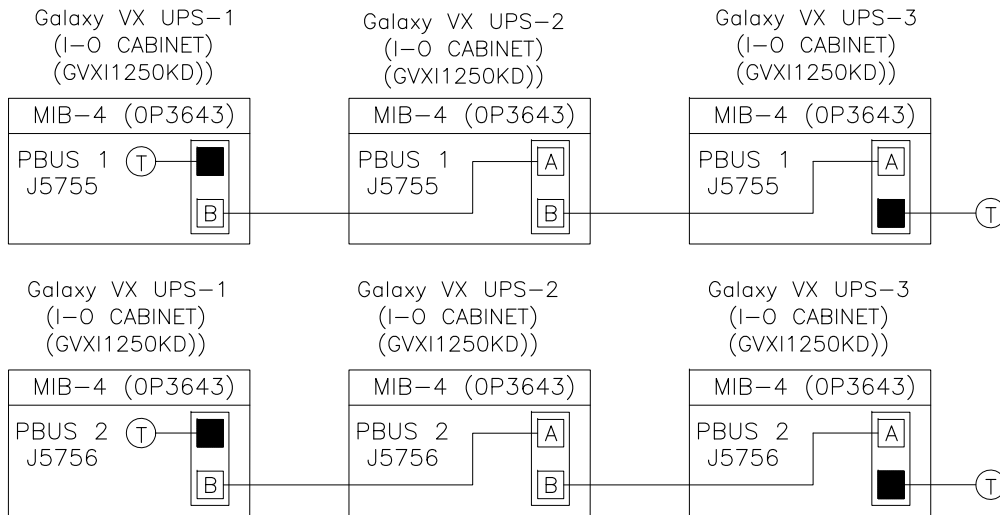
ENGINEER: K T 22-JUN-20

APPROVED: K T 22-JUN-20

PROJECT: DRAWINGS SHEET 3 OF 6

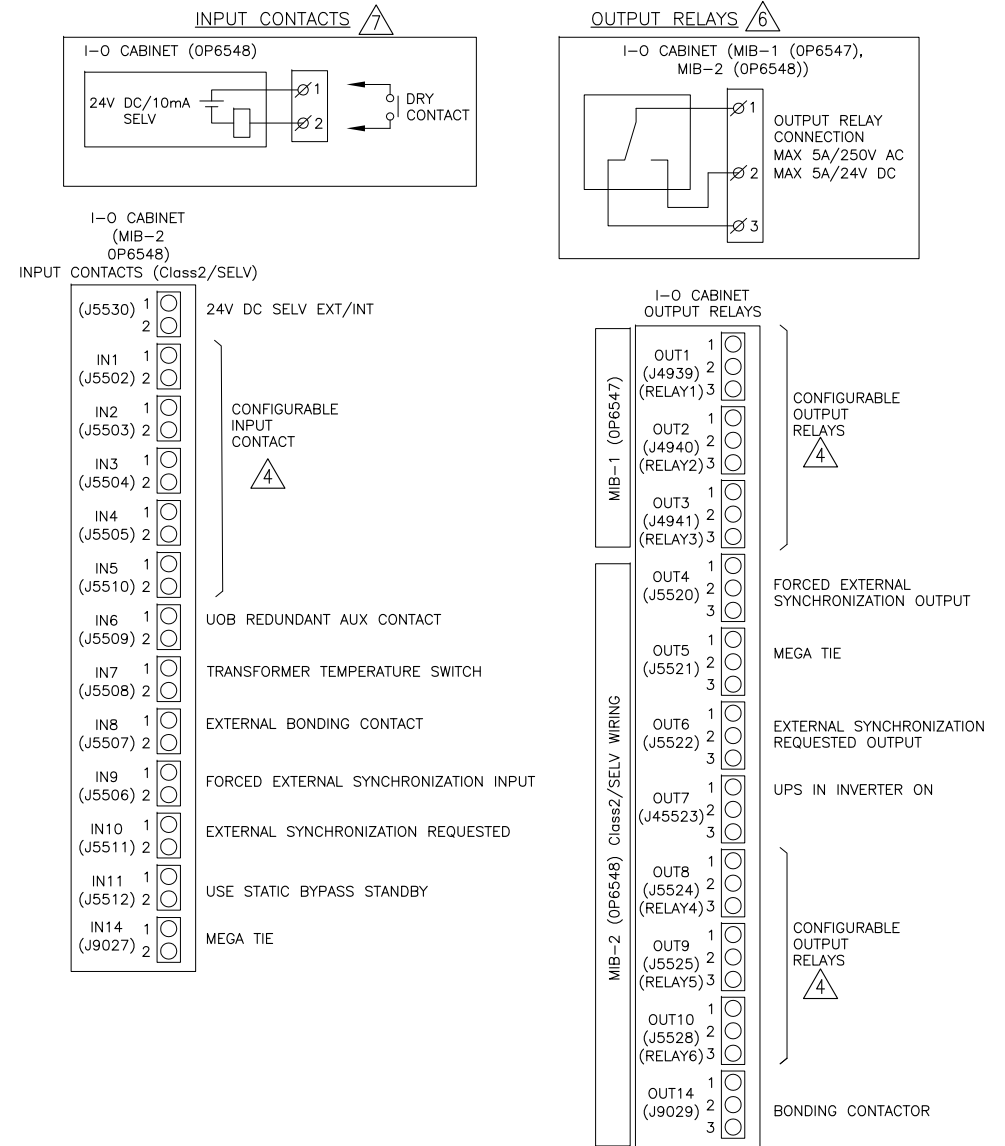
ANGLE PROJECTION: N/A

**5** PBUS CABLES BETWEEN PARALLEL UPS UNITS  
(EXAMPLE SHOWN FOR 3 UNITS)



1. INSTALLATION MUST COMPLY WITH ALL APPLICABLE NATIONAL, STATE AND LOCAL ELECTRICAL REGULATIONS.
2. REFER TO PRODUCT DOCUMENTATION FOR ADDITIONAL DETAILS PRIOR TO INSTALLATION AND SITE PREPARATION WORK.
3. FOR LATEST REVISION OF BOARD PART NUMBERS CONTACT SCHNEIDER ELECTRIC.
- △4. REFER TO OPERATION MANUAL FOR CONFIGURATION OPTION.
- △5. PBUS1 CABLES ARE WHITE AND PBUS ARE RED, THE TOTAL LENGTH OF PBUS CABLES MUST NOT EXCEED 60 METERS
- △6. MAX 250V AC 5A MUST BE CONNECTED TO THE OUTPUT RELAYS.  
ALL EXTERNAL CIRCUITRY MUST BE FUSED WITH MAXIMUM 5 A FAST ACTING FUSES.
- △7. DO NOT CONNECT ANY CIRCUIT TO THE INPUT CONTACTS UNLESS IT CAN BE CONFIRMED THAT THE CIRCUIT IS CLASS 2. ALL CIRCUITS CONNECTED MUST HAVE THE SAME 0V REFERENCE.  
COMMON SIGNALING TO THE INPUT CONTACTS MUST BE GALVANICALLY ISOLATED TO AVOID CROSS CURRENTS BETWEEN PARALLEL UPSs. AN EXTERNAL SUPPLY MUST BE CONNECTED TO OP6548 TERMINAL J5530 AND THE SWITCH SW5500 MUST BE IN CLOSED POSITION (PWR IN 24V DC SELV).

EQUIPMENT TO INPUT CONTACTS AND OUTPUT RELAYS (IN GVXI1250KD)



THIS DRAWING AND SPECIFICATIONS HEREIN ARE THE PROPERTY OF SCHNEIDER ELECTRIC AND SHALL NOT BE COPIED, REPRODUCED OR USED IN WHOLE OR IN PART, AS THE BASIS FOR THE MANUFACTURE OR SALE OF ITEMS WITHOUT WRITTEN PERMISSION FROM SCHNEIDER ELECTRIC. THIS DRAWING IS BASED UPON LATEST AVAILABLE INFORMATION AND IS SUBJECT TO CHANGE WITHOUT NOTICE.

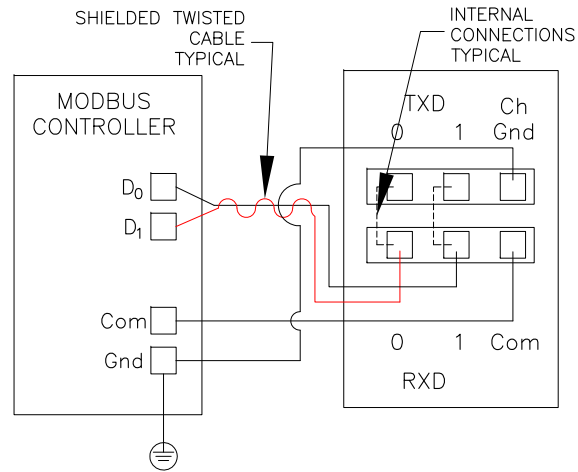


TITLE: Galaxy VX SINGLE/PARALLEL UPS 500/625/750/800/1000/1100/1250KVA Input 380/400/415V, 3PH, 50Hz, SINGLE/DUAL MAINS Output 380/400/415V, 3PH, 50Hz SYSTEM WIRING DIAGRAM (IN-OUT/SYNC/PBUS)

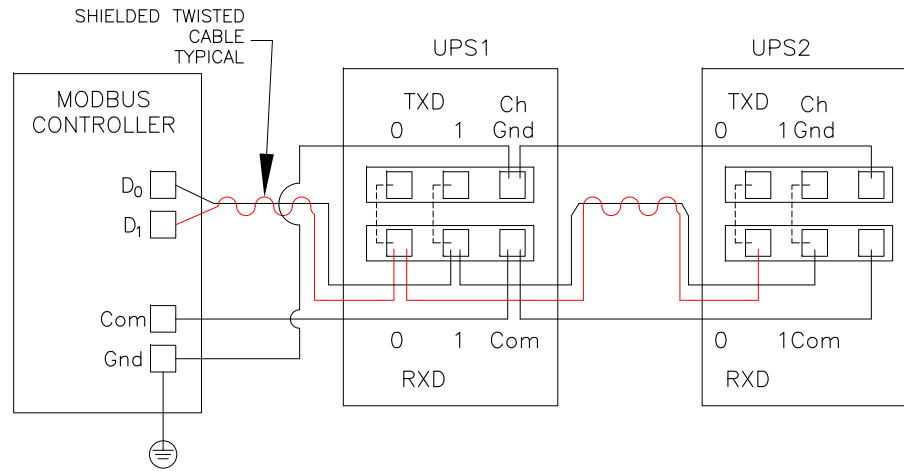
DWG NO: GVX500K1250NHS-WD REV: 0  
DRAWN: BALA 12-MAR-20 ANGLE  
ENGINEER: K T 19-MAY-20 PROJECTION: N/A  
APPROVED: K T 19-MAY-20

# TYPICAL MODBUS CONNECTION (BOARD 0P6502)

## 2-WIRE CONNECTION WITH SINGLE UPS

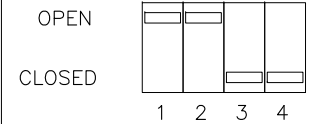


## 2-WIRE CONNECTION WITH TWO UPSs

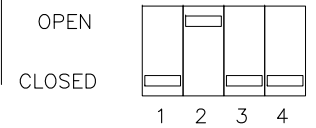


### MODBUS DIP SWITCHES SETTING

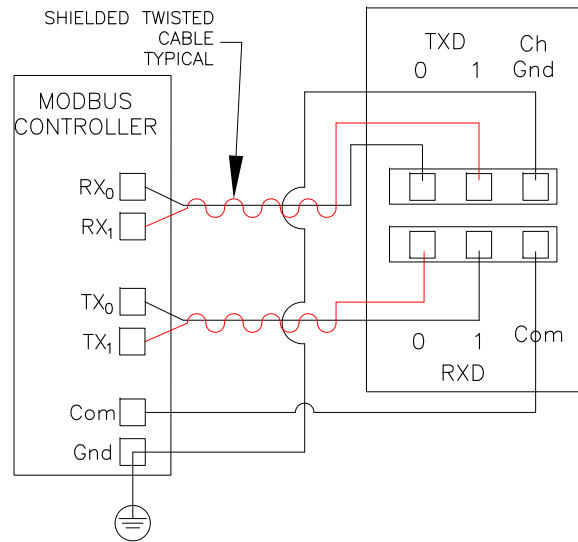
#### 2-WIRE WITHOUT TERMINATION



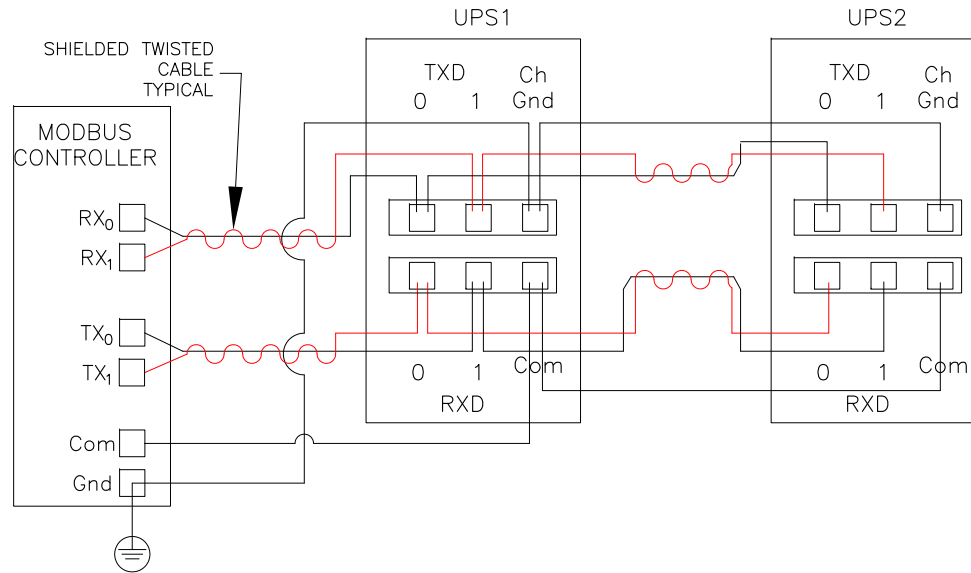
#### 2-WIRE WITH TERMINATION



## 4-WIRE CONNECTION WITH SINGLE UPS

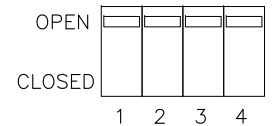


## 4-WIRE CONNECTION WITH TWO UPSs

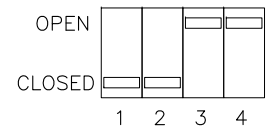


### MODBUS DIP SWITCHES SETTING

#### 4-WIRE WITHOUT TERMINATION



#### 4-WIRE WITH TERMINATION



1. INSTALLATION MUST COMPLY WITH ALL APPLICABLE NATIONAL, STATE AND LOCAL ELECTRICAL REGULATIONS.
2. REFER TO PRODUCT DOCUMENTATION FOR ADDITIONAL DETAILS PRIOR TO INSTALLATION AND SITE PREPARATION WORK.
3. FOR LATEST REVISION OF BOARD PART NUMBERS CONTACT SCHNEIDER ELECTRIC.
4. SHIELDED CABLES MUST BE USED FOR MODBUS CONNECTIONS. THE SHIELD CONNECTION TO THE GROUND MUST BE AS SHORT AS POSSIBLE (IDEALLY BELOW 1 cm).

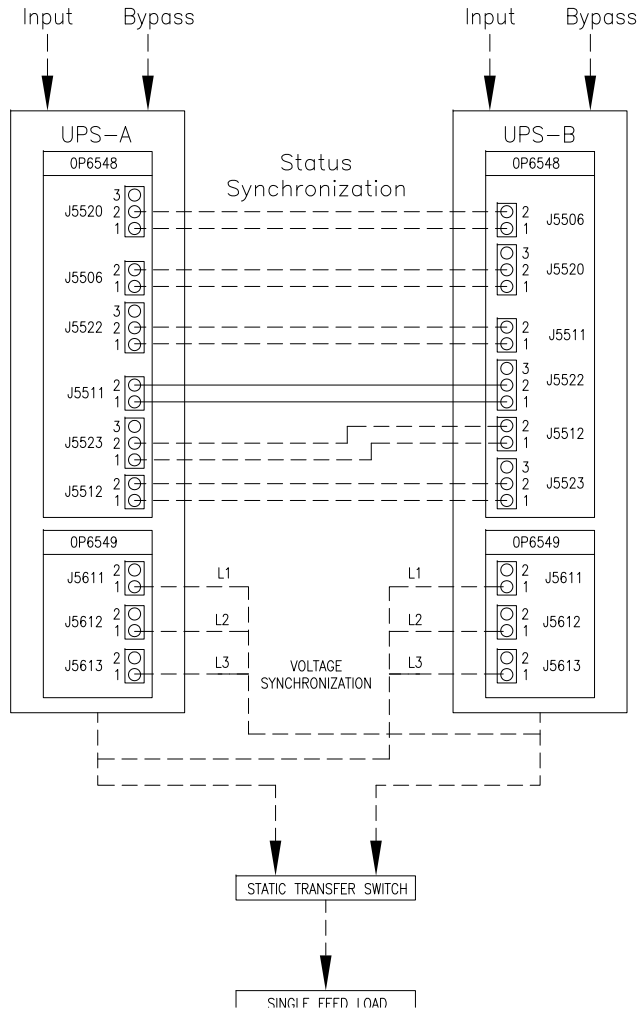
THIS DRAWING AND SPECIFICATIONS HEREIN ARE THE PROPERTY OF SCHNEIDER ELECTRIC AND SHALL NOT BE COPIED, REPRODUCED OR USED IN WHOLE OR IN PART, AS THE BASIS FOR THE MANUFACTURE OR SALE OF ITEMS WITHOUT WRITTEN PERMISSION FROM SCHNEIDER ELECTRIC. THIS DRAWING IS BASED UPON LATEST AVAILABLE INFORMATION AND IS SUBJECT TO CHANGE WITHOUT NOTICE.

**Schneider Electric**

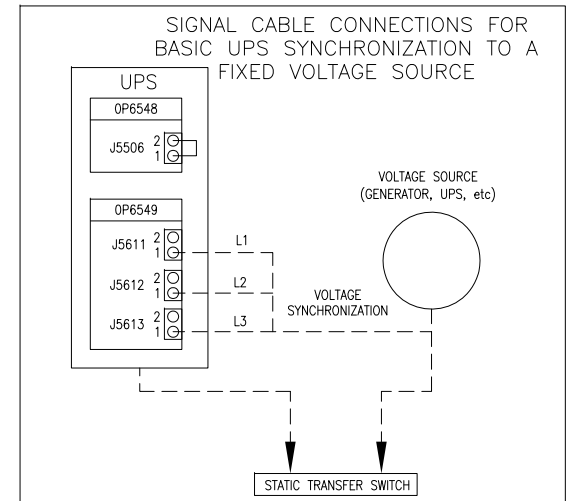
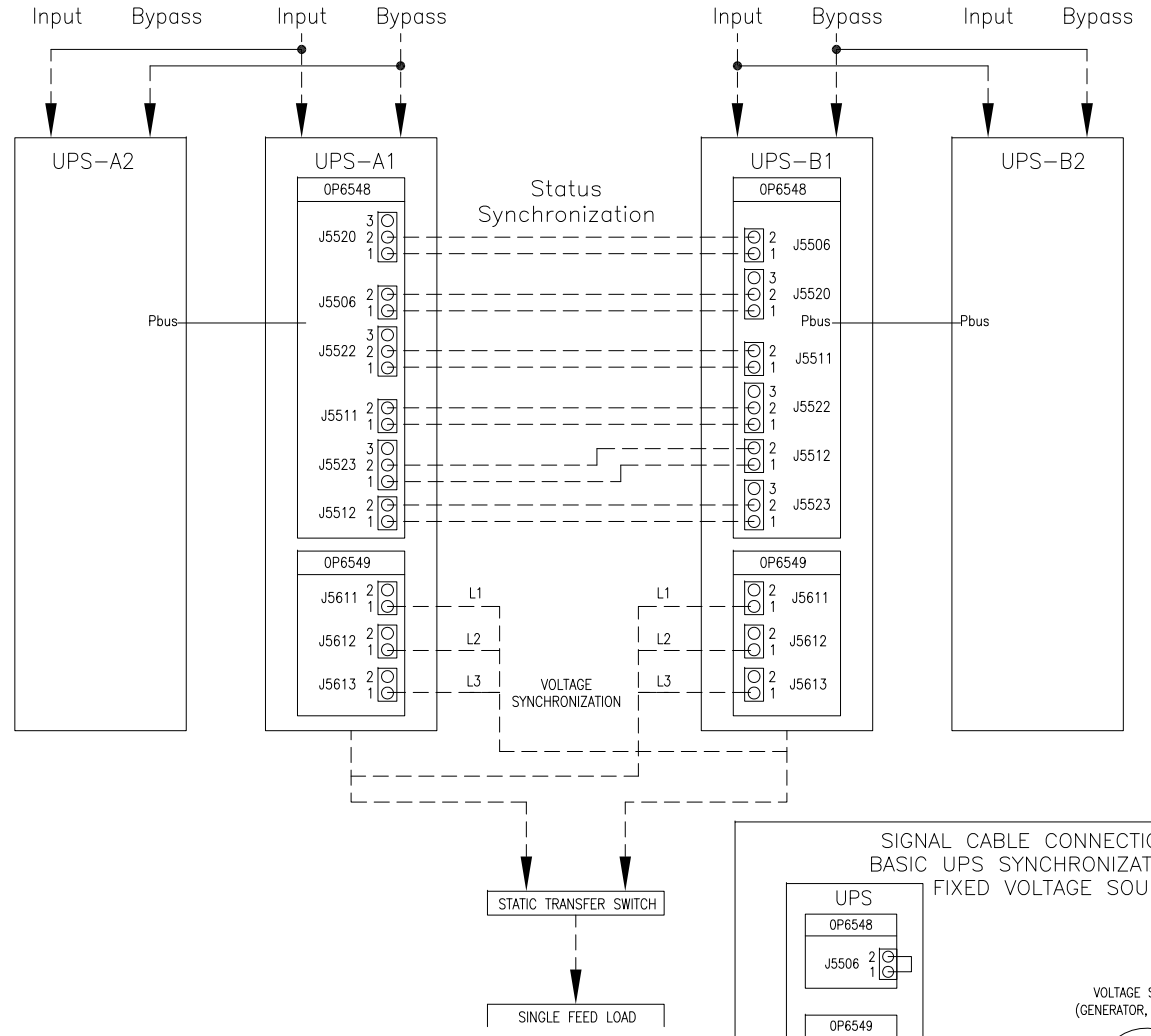
TITLE: Galaxy VX SINGLE/PARALLEL  
UPS 500/625/750/800/1000/1100/1250kVA  
Input 380/400/415V, 3PH, 50Hz, SINGLE/DUAL MAINS  
Output 380/400/415V, 3PH, 50Hz  
SYSTEM WIRING DIAGRAM (MODBUS)

DWG NO: **GVX500K1250NHS-WD** REV. **0**  
DRAWN: BALA 12-MAR-20  
ENGINEER: K T 19-MAY-20  
APPROVED: K T 19-MAY-20  
ANGLE PROJECTION: N/A

SIGNAL CABLE CONNECTIONS FOR  
DUAL UPS SYNCHRONIZATION WITH A  
FLOATING SYNCHRONIZATION MASTER



SIGNAL CABLE CONNECTIONS FOR  
FIXED PARALLEL SYNCHRONIZATION MASTER



1. INSTALLATION MUST COMPLY WITH ALL APPLICABLE NATIONAL, STATE AND LOCAL ELECTRICAL REGULATIONS.
2. REFER TO PRODUCT DOCUMENTATION FOR ADDITIONAL DETAILS PRIOR TO INSTALLATION AND SITE PREPARATION WORK.
3. FOR LATEST REVISION OF BOARD PART NUMBERS CONTACT SCHNEIDER ELECTRIC.
4. ----- = INTERFACE CABLES PROVIDED BY OTHERS.

THIS DRAWING AND SPECIFICATIONS HEREIN ARE THE PROPERTY OF SCHNEIDER ELECTRIC AND SHALL NOT BE COPIED, REPRODUCED OR USED IN WHOLE OR IN PART, AS THE BASIS FOR THE MANUFACTURE OR SALE OF ITEMS WITHOUT WRITTEN PERMISSION FROM SCHNEIDER ELECTRIC. THIS DRAWING IS BASED UPON LATEST AVAILABLE INFORMATION AND IS SUBJECT TO CHANGE WITHOUT NOTICE.



TITLE: Galaxy VX SINGLE/PARALLEL  
UPS 500/625/750/800/1000/1100/1250KVA  
Input 380/400/415V, 3PH, 50Hz, SINGLE/DUAL MAINS  
Output 380/400/415V, 3PH, 50Hz  
SYSTEM WIRING DIAGRAM (MODBUS)

DWG NO: GXV500K1250NHS-WD  
DRAWN: BALA 12-MAR-20  
ENGINEER: K T 19-MAY-20  
APPROVED: K T 19-MAY-20

REV: 0  
ANGLE PROJECTION: N/A