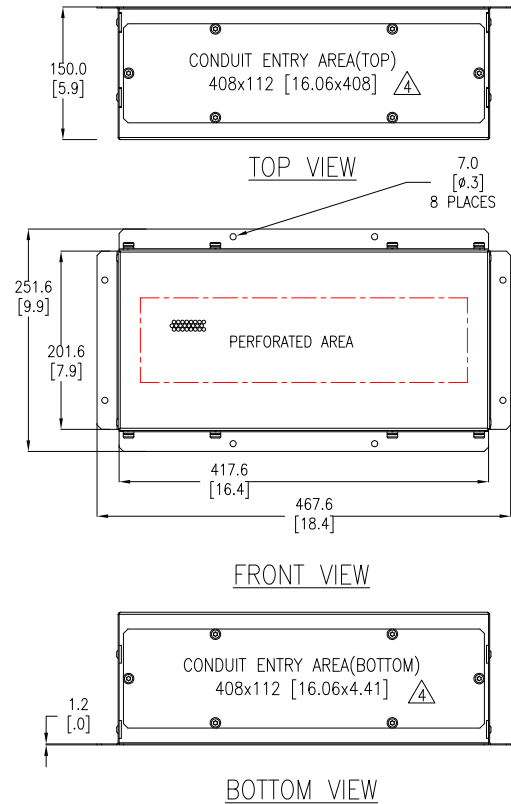


CONDUIT BOX DETAILS



- NOTES:**
- INSTALLATION SHALL COMPLY WITH ALL APPLICABLE NATIONAL, STATE AND LOCAL CODES.
  - REFER TO PRODUCT DOCUMENTATION FOR ADDITIONAL DETAILS PRIOR TO INSTALLATION AND SITE PREPARATION WORK.
  - ALL DIMENSIONS ARE IN MILLIMETERS [INCHES].
  - FRONT, REAR AND TOP ACCESS REQUIRED FOR SERVICE AND AIRFLOW.
  - DIMENSION EXCLUDES SKIN AND SCREW PROJECTIONS.
  - MAXIMUM OF 4 BATTERY CABINETS CAN BE CONNECTED/BAYED WITH GALAXY VS SERIES UPS. FOR BUYING DETAILS REFER TO INSTALLATION MANUAL. BATTERY STRINGS ARE NOT PART OF THIS SKU# GVSMODBC6. FOR RUNTIME DETAILS REFER TO INSTALLATION MANUAL OR CONTACT SCHNEIDER ELECTRIC. THIS BATTERY CABINET ONLY BE USED WITH (GALAXY VS SERIES) UPS.
  - CABLE ENTRY IS TOP OR BOTTOM OF CONDUIT BOX OR FROM EITHER SIDE OF UNIT FOR ADJACENT INSTALLATION.
  - COLOR: RAL 9003 WHITE.
  - PROTECTION CLASS: IP20
  - OPERATING TEMPERATURE: 32°F TO 103°F [0°C TO 40°C]. TO OPTIMIZE THE LIFE OF BATTERY, IT IS RECOMMENDED TO MAINTAIN 77°F [25°C].
  - THIS INFORMATION PROVIDES APPROXIMATE CENTER OF GRAVITY CALCULATION.
  - DOOR SWING: FREELY ROTATES BY 180°.

**BATTERY CABINET WEIGHT AND CENTER OF GRAVITY DETAILS**

NUMBER OF BATTERY STRING	WEIGHT kg (lbs)	Center of Gravity mm [inches]		
		X-Distance	Y-Distance	Z-Distance
0	145 [320]	261.5[10.3]	729.7[28.73]	400.8[15.78]
6	913 [2013]	262.2[10.32]	634.7[24.99]	457.5[18.01]

WEIGHT OF 1 BATTERY STRING IS 128kg {282 lbs}.

**BATTERY CABINET SPECIFICATIONS**

Number of battery blocks per battery module	10
Number of battery blocks per string	40
Maximum number of battery blocks per battery cabinet	240
Number of battery strings	Up to 6
Nominal battery voltage (VDC)	480
Nominal float voltage (VDC)	545
Maximum boost voltage (VDC)	571
Temperature compensation	Enabled
End of discharge voltage (full load) (VDC)	384
Maximum battery current (A)	150
Maximum short circuit rating	3.8kA

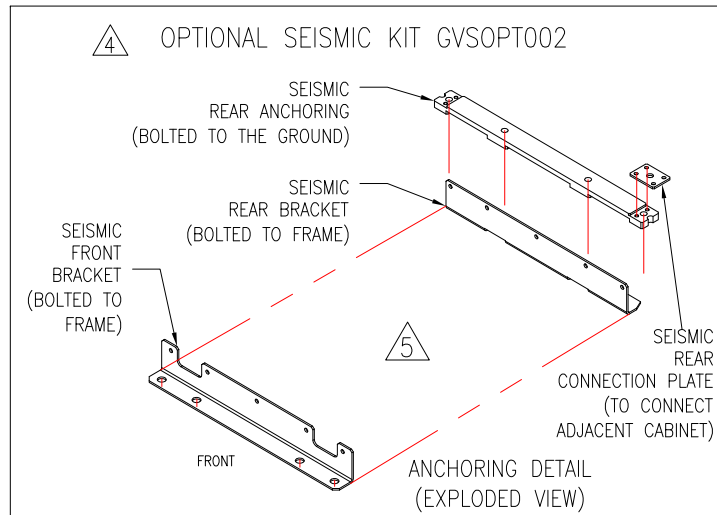
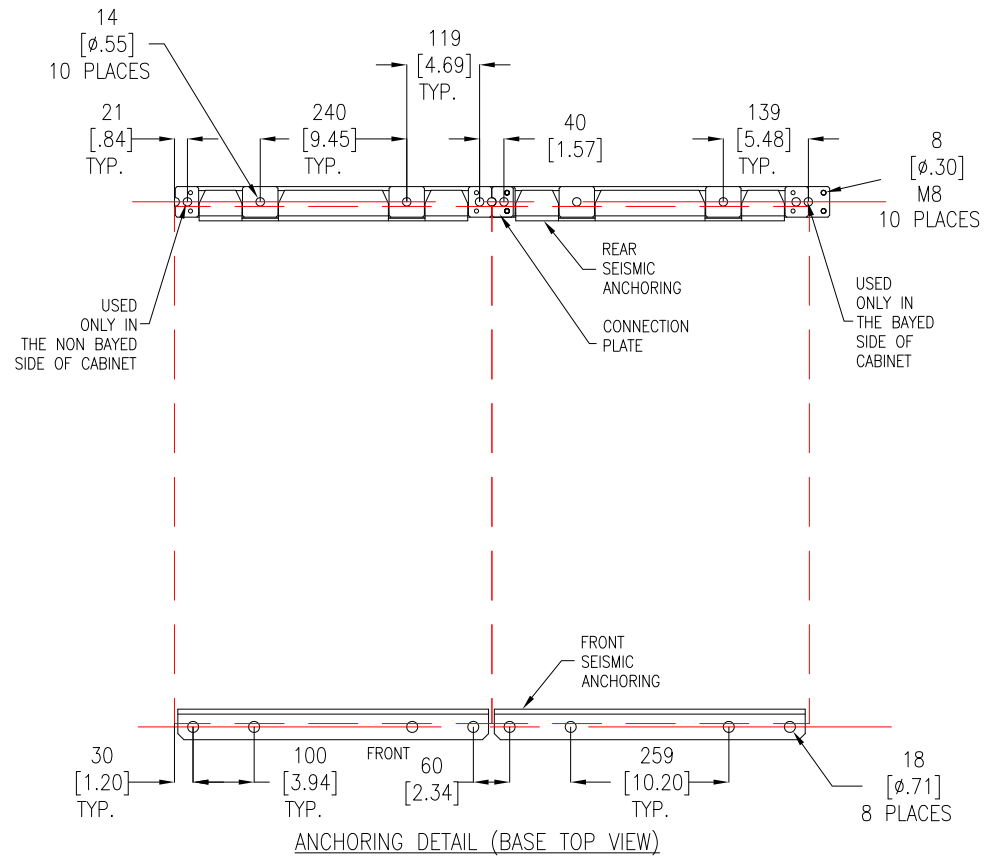
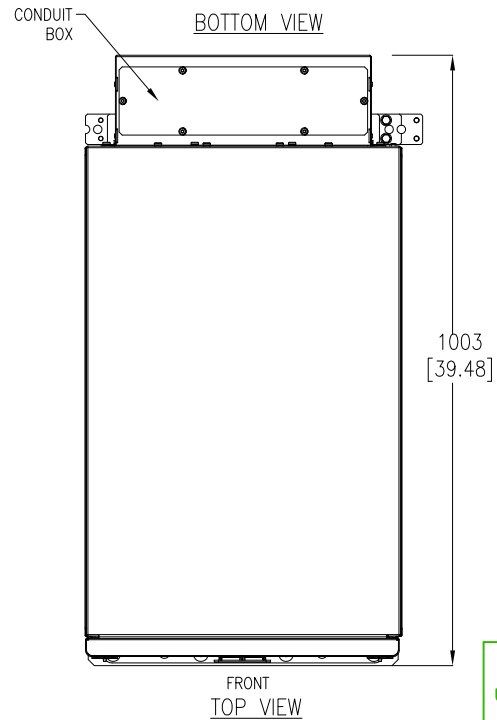
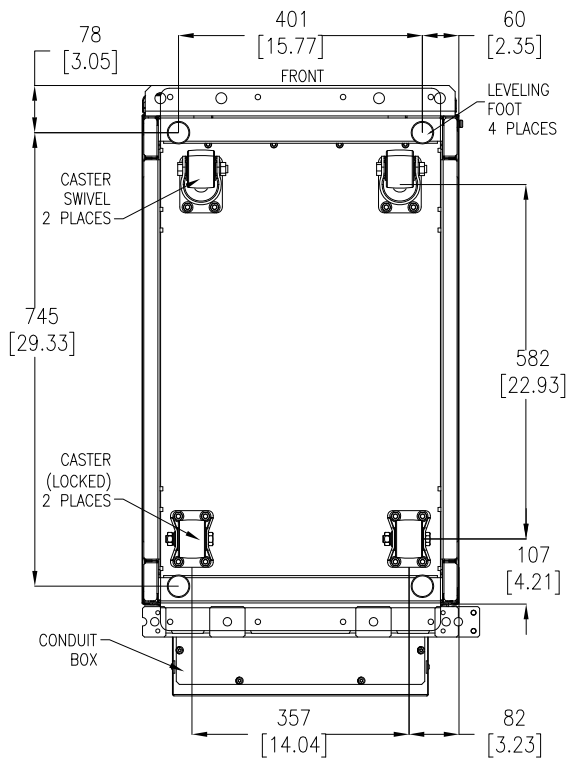
THIS DRAWING AND SPECIFICATIONS HEREIN ARE THE PROPERTY OF SCHNEIDER ELECTRIC AND SHALL NOT BE COPIED, REPRODUCED OR USED IN WHOLE OR IN PART, AS THE BASIS FOR THE MANUFACTURE OR SALE OF ITEMS WITHOUT WRITTEN PERMISSION FROM SCHNEIDER ELECTRIC. THIS DRAWING IS BASED UPON LATEST AVAILABLE INFORMATION AND IS SUBJECT TO CHANGE WITHOUT NOTICE.



**TITLE:** Galaxy VS MODULAR BATTERY CABINET FOR UP TO 6 SMART MODULAR BATTERY STRINGS GENERAL ARRANGEMENT

**PROJECT:** SUBMITTAL DRAWINGS **SHEET 1 OF 4**

<b>DWG NO:</b> GVSMODBC6	<b>REV:</b> 0
<b>DRAWN BY:</b> BALA	13-SEP-19
<b>ENGINEER:</b> JiaChen Lin	15-OCT-19
<b>APPROVED BY:</b> ChenLei BAO	15-OCT-19
<b>PROJECTION</b>	FIRST ANGLE



- NOTES:**
1. INSTALLATION SHALL COMPLY WITH ALL APPLICABLE NATIONAL, STATE AND LOCAL CODES.
  2. REFER TO PRODUCT DOCUMENTATION FOR ADDITIONAL DETAILS PRIOR TO INSTALLATION AND SITE PREPARATION WORK.
  3. ALL DIMENSIONS ARE IN MILLIMETERS [INCHES].
  - △4. BOLTS M8x20 (12 Nos.) PART OF OPTIONAL SEISMIC KIT GVSOPT002.
  - △5. FIXATION OF ANCHORING BRACKETS IN FRONT IS OPTIONAL IN NON-SEISMIC LOCATIONS.

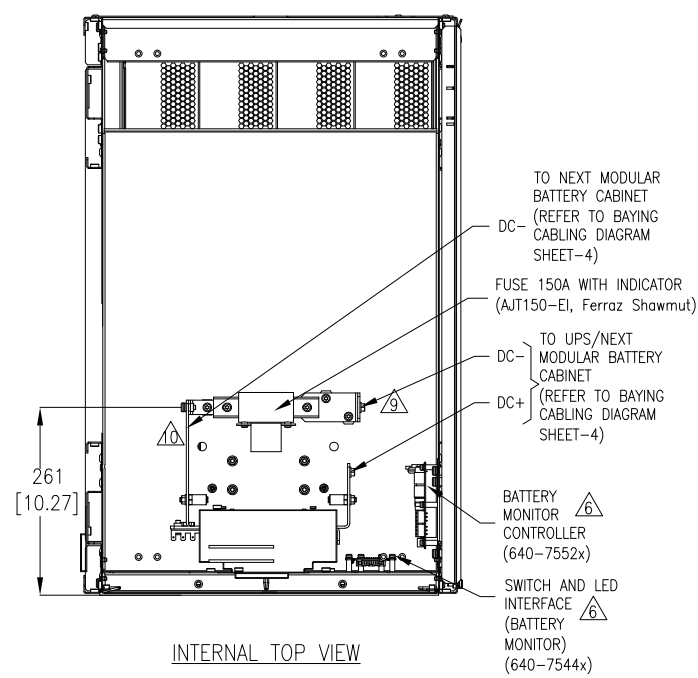
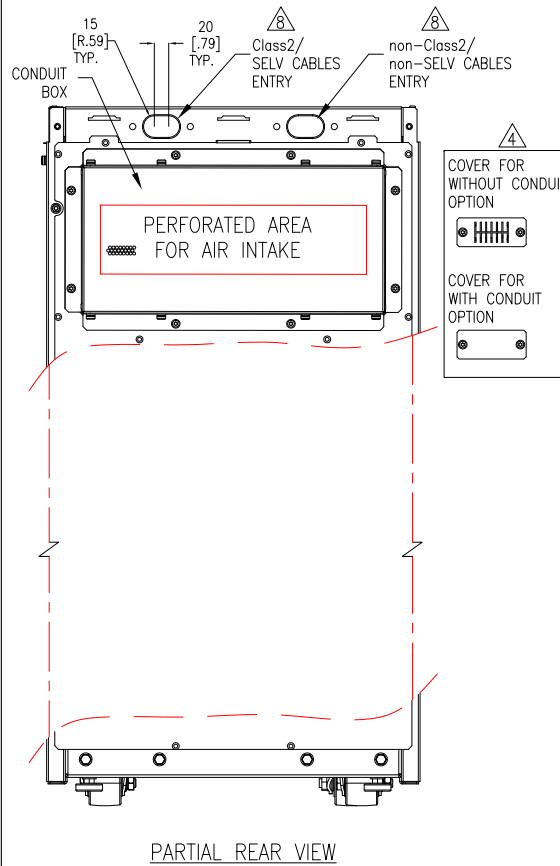
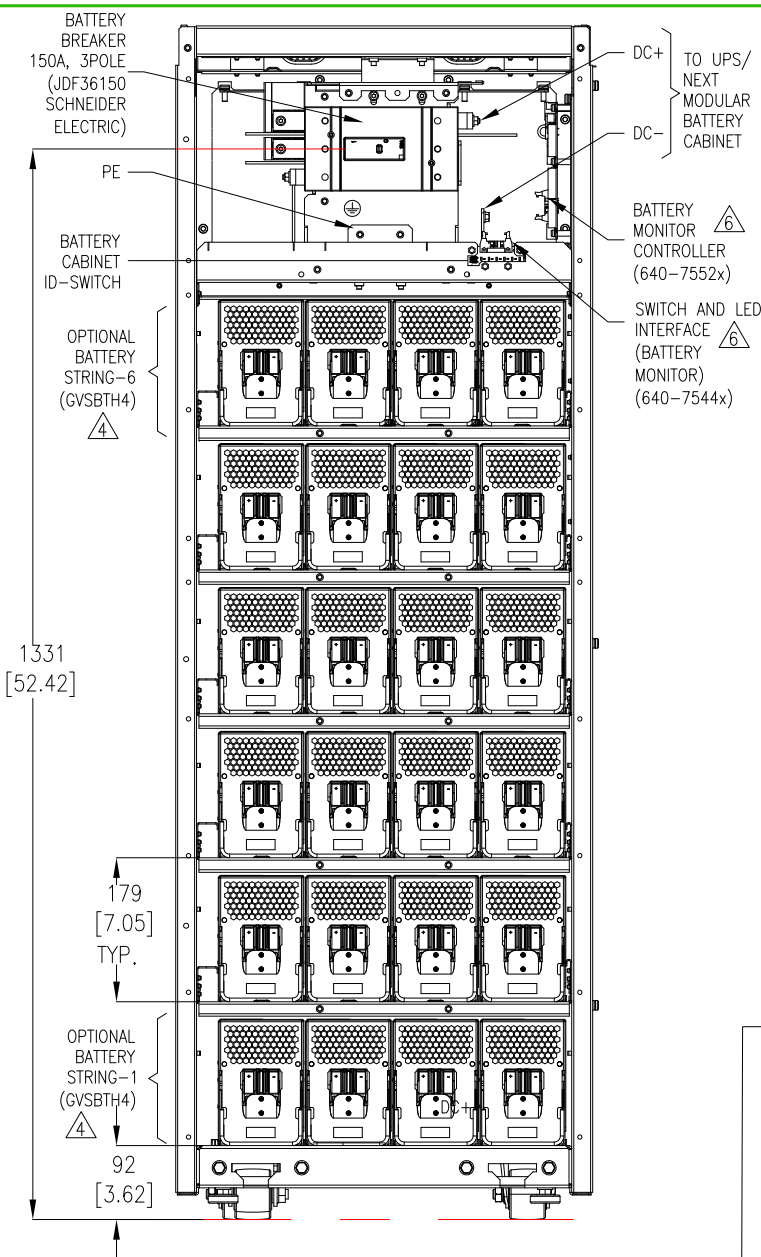
THIS DRAWING AND SPECIFICATIONS HEREIN ARE THE PROPERTY OF SCHNEIDER ELECTRIC AND SHALL NOT BE COPIED, REPRODUCED OR USED IN WHOLE OR IN PART, AS THE BASIS FOR THE MANUFACTURE OR SALE OF ITEMS WITHOUT WRITTEN PERMISSION FROM SCHNEIDER ELECTRIC. THIS DRAWING IS BASED UPON LATEST AVAILABLE INFORMATION AND IS SUBJECT TO CHANGE WITHOUT NOTICE.

**Schneider Electric**

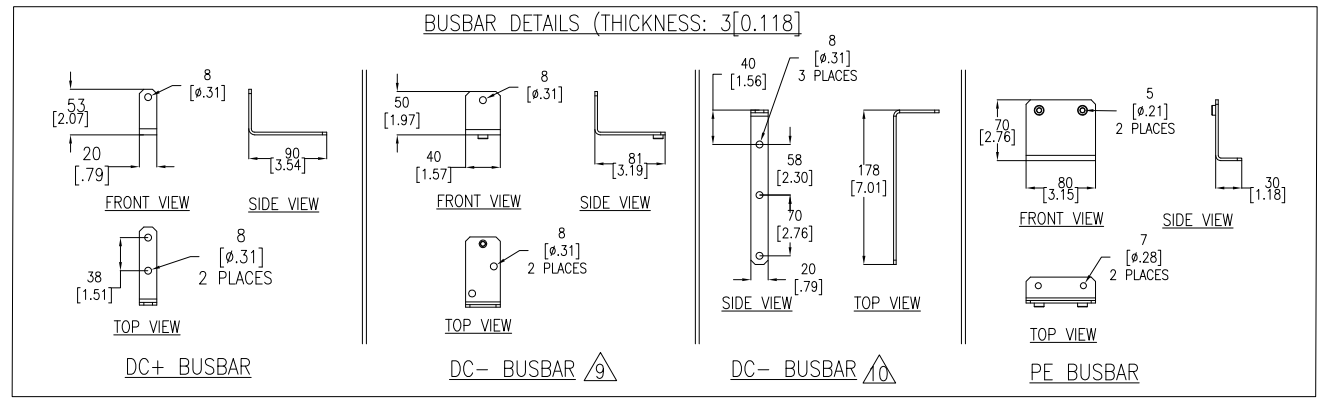
**TITLE:** Galaxy VS MODULAR BATTERY CABINET FOR UP TO 6 SMART MODULAR BATTERY STRINGS TOP/BOTTOM VIEWS & ANCHORING DETAILS

**PROJECT:** SUBMITTAL DRAWINGS **SHEET 3 OF 4**

<b>DWG NO:</b> GVSMODBC6	<b>REV.</b> 0
<b>DRAWN BY:</b> BALA	13-SEP-19 <b>FIRST</b>
<b>ENGINEER:</b> JiaChen Lin	15-OCT-19 <b>ANGLE</b>
<b>APPROVED BY:</b> ChenLei BAO	15-OCT-19 <b>PROJECTION</b>



- NOTES:**
1. INSTALLATION SHALL COMPLY WITH ALL APPLICABLE NATIONAL, STATE AND LOCAL CODES.
  2. REFER TO PRODUCT DOCUMENTATION FOR ADDITIONAL DETAILS PRIOR TO INSTALLATION AND SITE PREPARATION WORK.
  3. ALL DIMENSIONS ARE IN MILLIMETERS [INCHES].
  4. MODULAR BATTERY (GVSBTH4) NOT PART OF THE SKU (GVSMODBC6), SHOWN FOR ILLUSTRATION PURPOSE ONLY, TO BE ORDERED SEPARATELY.
  5. SOME STRUCTURAL DETAILS HAVE BEEN OMITTED FOR THE PURPOSE OF CLARITY.
  6. FOR LATEST BOARD PART NUMBER REFER TO SCHNEIDER ELECTRIC.
  7. REFER TO SYSTEM WIRING DIAGRAM GVS10K50L6GSA10-WD FOR INTERFACE DETAILS.
  8. Class2/SELV and non-Class2/non-SELV SHOULD BE ROUTED SEPARATELY.



THIS DRAWING AND SPECIFICATIONS HEREIN ARE THE PROPERTY OF SCHNEIDER ELECTRIC AND SHALL NOT BE COPIED, REPRODUCED OR USED IN WHOLE OR IN PART, AS THE BASIS FOR THE MANUFACTURE OR SALE OF ITEMS WITHOUT WRITTEN PERMISSION FROM SCHNEIDER ELECTRIC. THIS DRAWING IS BASED UPON LATEST AVAILABLE INFORMATION AND IS SUBJECT TO CHANGE WITHOUT NOTICE.

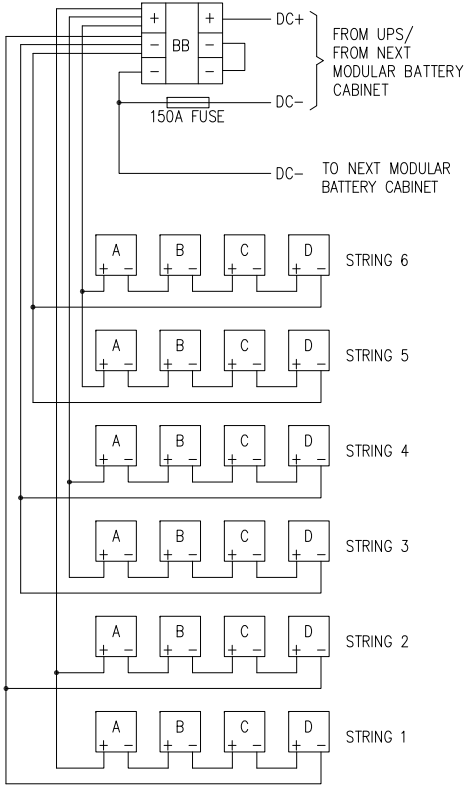


**TITLE:** Galaxy VS MODULAR BATTERY CABINET FOR UP TO 6 SMART MODULAR BATTERY STRINGS INTERNAL DETAILS

**PROJECT:** SUBMITTAL DRAWINGS **SHEET 3 OF 4**

DWG NO:	GVSMODBC6	REV:	0
<b>DRAWN BY:</b>	BALA	13-SEP-19	FIRST
<b>ENGINEER:</b>	JiaChen Lin	25-OCT-19	ANGLE
<b>APPROVED BY:</b>	ChenLei BAO	25-OCT-19	PROJECTION

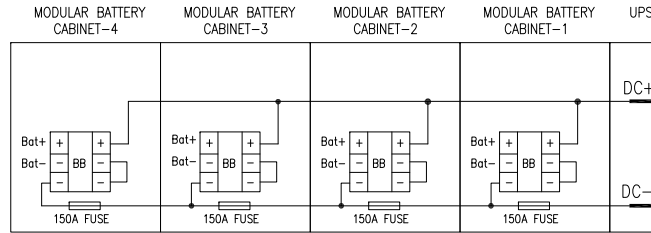
BATTERY CABINET CABLING DIAGRAM



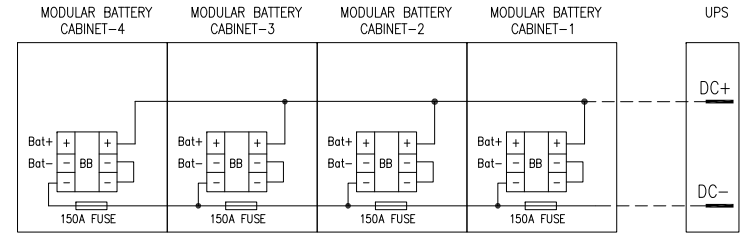
BATTERY BAYING CABLING DIAGRAM

MODULAR BATTERY CABINETS INSTALLATION WITH ADJACENT UPS RATED MAXIMUM OF 50kW

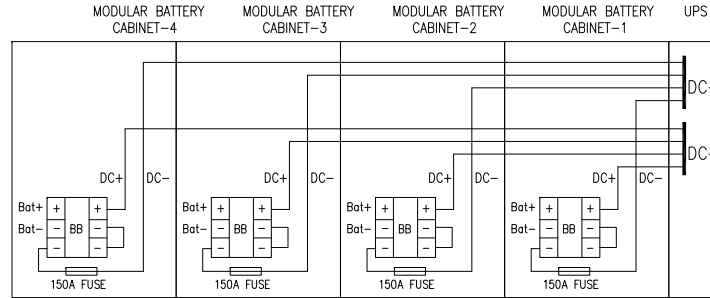
BATTERY CABINET ADJACENT TO UPS (UPS MAX RATING 50kW)



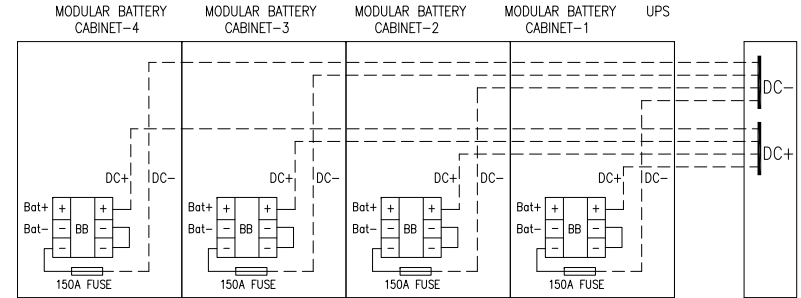
BATTERY CABINET REMOTE TO UPS (UPS MAX RATING 50kW)



BATTERY CABINET ADJACENT TO UPS (UPS RATING OVER 50kW)



BATTERY CABINET REMOTE TO UPS (UPS RATING OVER 50kW)



NOTES:

1. INSTALLATION SHALL COMPLY WITH ALL APPLICABLE NATIONAL, STATE AND LOCAL CODES.
2. REFER TO PRODUCT DOCUMENTATION FOR ADDITIONAL DETAILS PRIOR TO INSTALLATION AND SITE PREPARATION WORK.
3. REFER TO SYSTEM WIRING DIAGRAM GVS10K50LGFSAIO-WD FOR INTERFACE DETAILS.
4. ----- CABLING NOT PART OF BATTERY CABINET SKU, TO BE ORDERED SEPARATELY.

THIS DRAWING AND SPECIFICATIONS HEREIN ARE THE PROPERTY OF SCHNEIDER ELECTRIC AND SHALL NOT BE COPIED, REPRODUCED OR USED IN WHOLE OR IN PART, AS THE BASIS FOR THE MANUFACTURE OR SALE OF ITEMS WITHOUT WRITTEN PERMISSION FROM SCHNEIDER ELECTRIC. THIS DRAWING IS BASED UPON LATEST AVAILABLE INFORMATION AND IS SUBJECT TO CHANGE WITHOUT NOTICE.



TITLE: Galaxy VS  
MODULAR BATTERY CABINET FOR  
UP TO 6 SMART MODULAR BATTERY STRINGS  
CABLING DIAGRAM & PARALLELING INSTALLATION

PROJECT: SUBMITTAL DRAWINGS SHEET 4 OF 4

DWG NO: GVSMODBC6

DRAWN BY: BALA 13-SEP-19

ENGINEER: JiaChen Lin 15-OCT-19

APPROVED BY: ChenLei BAO 15-OCT-19

REV. 0

FIRST PROJECTION

N.A.