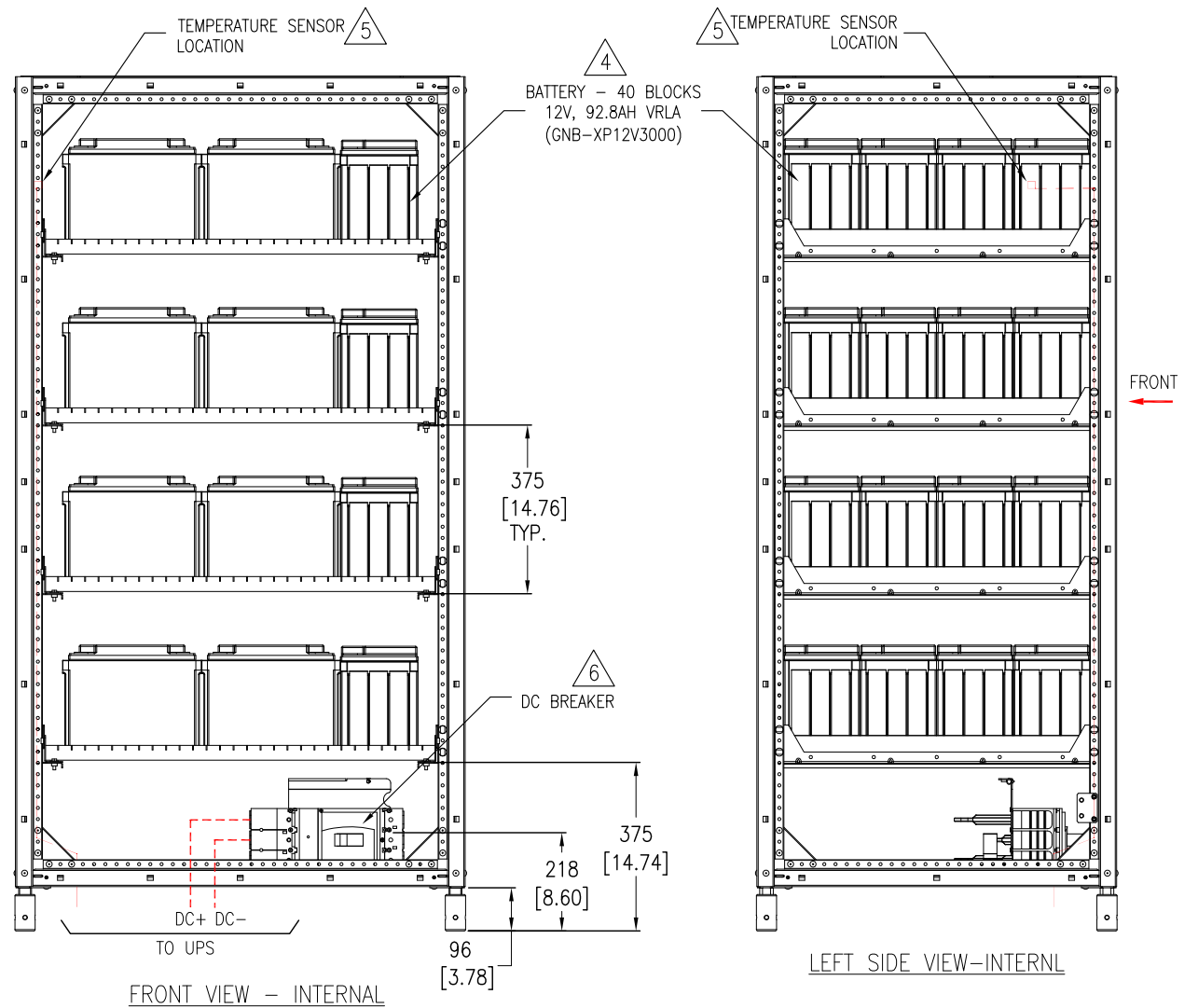
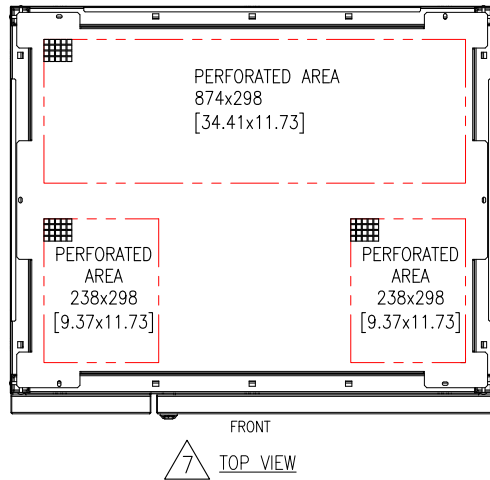
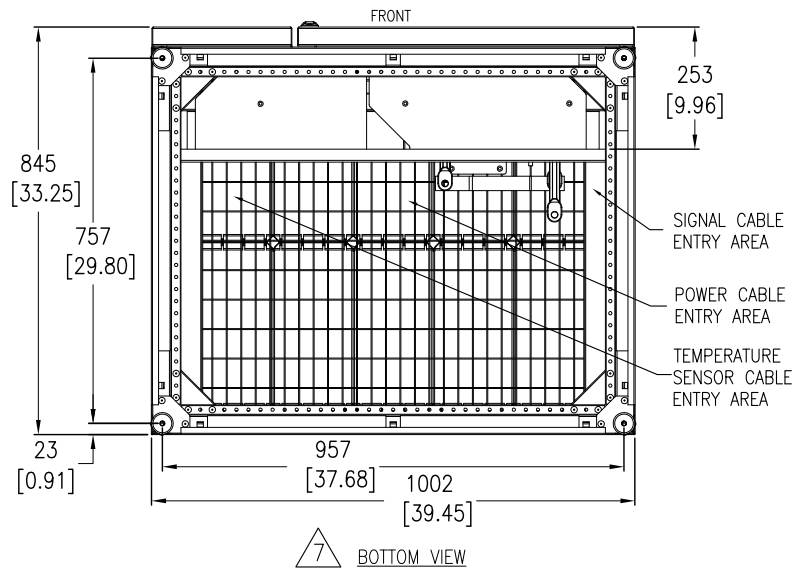


- NOTES:**
1. INSTALLATION SHALL COMPLY WITH ALL APPLICABLE NATIONAL, STATE AND LOCAL ELECTRICAL REGULATIONS.
 2. REFER TO PRODUCT DOCUMENTATION FOR ADDITIONAL DETAILS PRIOR TO INSTALLATION AND SITE PREPARATION WORK.
 3. ALL DIMENSIONS ARE IN MILLIMETERS [INCHES].
 - △4. CLEARANCE DIMENSIONS ARE RECOMMENDED FOR AIRFLOW AND SERVICE ACCESS ONLY. CONSULT WITH THE LOCAL CODES AND STANDARDS FOR ADDITIONAL REQUIREMENTS IN YOUR LOCAL AREA.
 - △5. DIMENSION EXCLUDES SKIN AND SCREW PROJECTIONS.
 6. THE WEIGHT OF THE UNIT IS 1512kg [3333.4 lb].
 7. OPERATING TEMPERATURE: 0°C TO 40°C [32°F TO 104°F]
 8. COLOR: RAL 9003 WHITE.
 9. PROTECTION CLASS - IP20
 - △10. THIS INFORMATION PROVIDES APPROXIMATE CENTER OF GRAVITY CALCULATION.
 11. DOOR SWING: FREELY ROTATES BY 130°.
 12. CABLE ENTRY IS FROM BOTTOM OF THE UNIT.

THIS DRAWING AND SPECIFICATIONS HEREIN ARE THE PROPERTY OF SCHNEIDER ELECTRIC AND SHALL NOT BE COPIED, REPRODUCED OR USED IN WHOLE OR IN PART, AS THE BASIS FOR THE MANUFACTURE OR SALE OF ITEMS WITHOUT WRITTEN PERMISSION FROM SCHNEIDER ELECTRIC. THIS DRAWING IS BASED UPON LATEST AVAILABLE INFORMATION AND IS SUBJECT TO CHANGE WITHOUT NOTICE.



TITLE: GALAXY VS CLASSIC BATTERY CABINET - 1000mm, IEC WITH BATTERIES, CONFIG-B2 GENERAL ARRANGEMENT		DWG NO: GVSCBC10B2	REV: 1
PROJECT: SUBMITTAL DRAWINGS	SHEET 1 OF 3	DRAWN: BALA	16-DEC-19
		ENGINEER: ALICE	16-DEC-19
		APPROVED: JIACHEN	16-DEC-19
			FIRST ANGLE PROJECTION



△6

3 POLE DC BREAKER TRIP SETTING NSX320S TM-DC (LV438276)				
UPS RATING (kW)	I _r (A) @ POWER FACTOR			I _m (A)
	0.8	0.9	1	
20/30/40/50/60/80	224			800 (FIXED)
100	224	256	288	
120	288		320	
150	320			

NOTES:

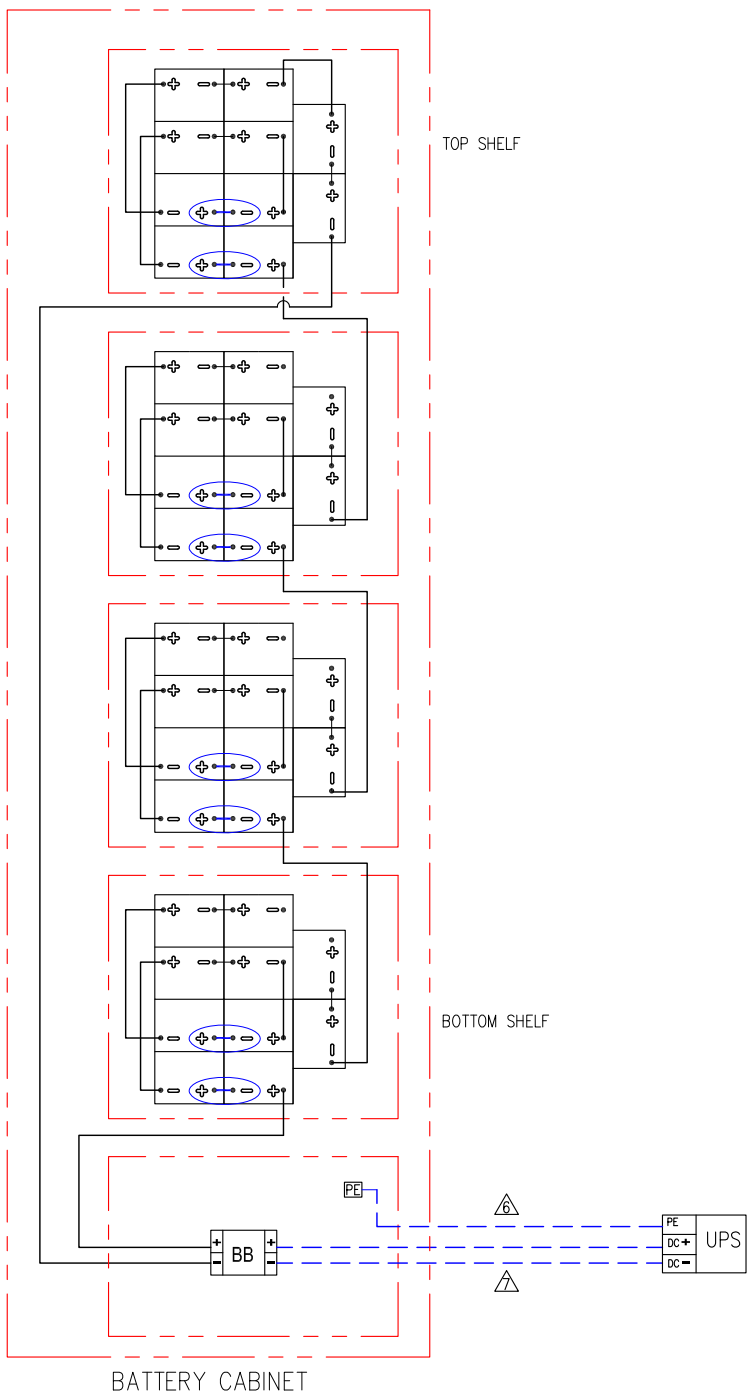
1. INSTALLATION SHALL COMPLY WITH ALL APPLICABLE NATIONAL, STATE AND LOCAL ELECTRICAL REGULATIONS.
2. REFER TO PRODUCT DOCUMENTATION FOR ADDITIONAL DETAILS PRIOR TO INSTALLATION AND SITE PREPARATION WORK.
3. ALL DIMENSIONS ARE IN MILLIMETERS [INCHES].
- △4. BATTERIES SHOWN ARE TYPICAL.
- △5. ONE TEMPERATURE SENSOR IS PROVIDED WITH THE GVS SERIES UPS. CONTACT SCHNEIDER ELECTRIC IF ANOTHER IS REQUIRED.
- △6. REFER TO TABLE FOR BREAKER DETAILS.
- △7. DIMENSIONS OF CABINET MAY HAVE SOME VARIATIONS.

THIS DRAWING AND SPECIFICATIONS HEREIN ARE THE PROPERTY OF SCHNEIDER ELECTRIC AND SHALL NOT BE COPIED, REPRODUCED OR USED IN WHOLE OR IN PART, AS THE BASIS FOR THE MANUFACTURE OR SALE OF ITEMS WITHOUT WRITTEN PERMISSION FROM SCHNEIDER ELECTRIC. THIS DRAWING IS BASED UPON LATEST AVAILABLE INFORMATION AND IS SUBJECT TO CHANGE WITHOUT NOTICE.

Schneider Electric

TITLE: GALAXY VS CLASSIC BATTERY CABINET - 1000mm, IEC WITH BATTERIES, CONFIG-B2 TOP, BOTTOM AND INTERNAL VIEWS
PROJECT: SUBMITTAL DRAWINGS SHEET 2 OF 3

DWG NO: GVSCBC10B2 REV. 0
DRAWN: BALA 15-OCT-19 FIRST ANGLE PROJECTION
ENGINEER: ALICE 18-OCT-19
APPROVED: JIACHEN 18-OCT-19



BATTERY RUNTIMES (minutes) at Full Load (calculated)		Classic Battery Cabinets						
		1x GVSCBC10B2 1000mm/39" Wide			2x GVSCBC10B2 2x 1000mm/39" Wide			
		40 Batteries			40 Batteries			
Voltage	UPS Rating	UPS SKU	PF 0.8	PF 0.9	PF 1	PF 0.8	PF 0.9	PF 1
400V	20kW	GVSUPS20KHS	135.0	115.0	100.0	300.0	260.0	230.0
	30kW	GVSUPS30KHS	84.0	73.0	64.0	190.0	165.0	145.0
	40kW	GVSUPS40KHS	59.5	51.0	45.0	135.0	115.0	100.0
	50kW	GVSUPS50KHS	45.0	38.5	33.5	100.0	91.0	80.0
	60kW	GVSUPS60KHS	35.5	30.5	26.5	84.0	73.0	64.0
	80kW	GVSUPS80KHS	24.0	20.5	17.5	59.5	51.0	45.0
	100kW	GVSUPS100KHS	17.5	14.5	12.5	45.0	38.5	33.5
	120kW	GVSUPS120KHS	13.0	11.0	9.1	35.5	30.5	26.0
	150kW	GVSUPS150KHS	9.1	7.4	5.9	26.0	22.5	19.0

LEGEND:

- AND HIGHLIGHTED BY ○ CONNECTED ON SITE
- CONNECTED IN FACTORY

NOTES:

- INSTALLATION SHALL COMPLY WITH ALL APPLICABLE NATIONAL, STATE AND LOCAL ELECTRICAL REGULATIONS.
- REFER TO PRODUCT DOCUMENTATION FOR ADDITIONAL DETAILS PRIOR TO INSTALLATION AND SITE PREPARATION WORK.
- TORQUE FOR SCREWS TO CONNECT BATTERIES IS 11NM.
- EARTHING IS ESSENTIAL BEFORE STARTUP.
- CABLE CONNECTION ON BATTERY TERMINALS MUST BE COVERED WITH PLASTIC CAPS.
- THE GROUND CONNECTION TO THE CLASSIC BATTERY CABINET MUST BE MADE DIRECTLY FROM THE UPS CABINET.
- MAXIMUM ALLOWABLE DISTANCE BETWEEN BATTERY CABINET AND UPS IS 200Meters [656Feet]. FOR CABLE SPECIFICATION, REFER TO INSTALLATION MANUAL.
- BATTERY TYPE: XP12V3000, 40 BLOCKS.
- FOR INTERFACE DETAILS REFER TO SYSTEM WIRING DIAGRAM GVSUPS20K150HS-WD.

THIS DRAWING AND SPECIFICATIONS HEREIN ARE THE PROPERTY OF SCHNEIDER ELECTRIC AND SHALL NOT BE COPIED, REPRODUCED OR USED IN WHOLE OR IN PART, AS THE BASIS FOR THE MANUFACTURE OR SALE OF ITEMS WITHOUT WRITTEN PERMISSION FROM SCHNEIDER ELECTRIC. THIS DRAWING IS BASED UPON LATEST AVAILABLE INFORMATION AND IS SUBJECT TO CHANGE WITHOUT NOTICE.



TITLE:	GALAXY VS CLASSIC BATTERY CABINET - 1000mm, IEC WITH BATTERIES, CONFIG-B2 CABLING DIAGRAM AND RUNTIME DETAILS		DWG NO:	GVSCBC10B2	REV.	1
PROJECT:	SUBMITTAL DRAWINGS	SHEET 3 OF 3	DRAWN:	BALA	7-NOV-19	ANGLE PROJECTION
			ENGINEER:	ALICE	7-NOV-19	N.A.
			APPROVED:	JACHEN	7-NOV-19	