

CATALOG NUMBER	AMPERE RATING	AC MAGNETIC SETTINGS	
		TRIP	HOLD
GJL36020	20	600	1200
GJL36030	30	600	1200
GJL36040	40	600	1200
GJL36050	50	800	1400
GJL36060	60	800	1400
GJL36070	70	800	1400
GJL36080	80	800	1400
GJL36100	100	800	1400

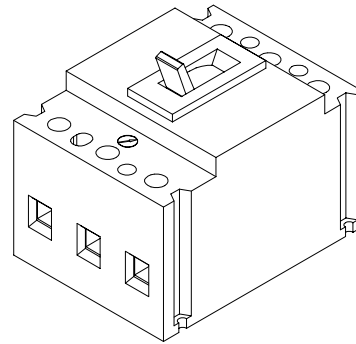
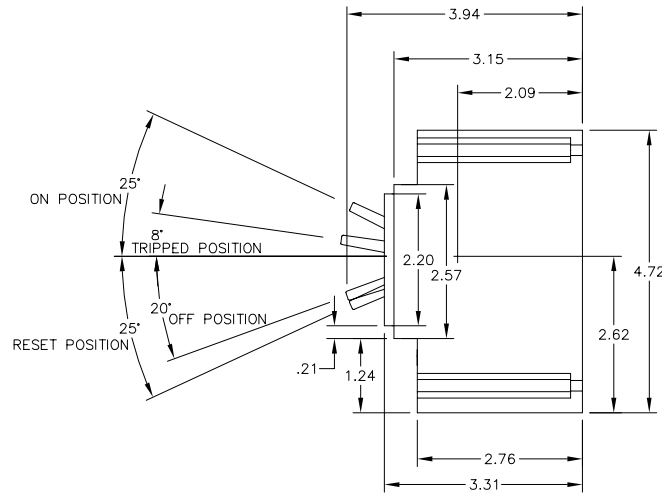
CATALOG NUMBER	AMPERE RATING	MAGNETIC TRIP AMPERE RANGE
GJL36003M01	3	9-33
GJL36007M02	7	21-77
GJL36015M03	15	45-165
GJL36030M04	30	90-330
GJL36050M05	50	150-550
GJL36075M06	75	225-825

UL MAGNETIC TRIP SETTING TOLERANCES ARE -20% AND +30% FROM THE NOMINAL VALUE SHOWN.

VOLTAGE SYSTEMS	AMPERE * INTERRUPTING RATING (AIR)
240 VAC	100kA
415Y/240 VAC	65kA
480 VAC	65kA
600Y/347 VAC	25kA

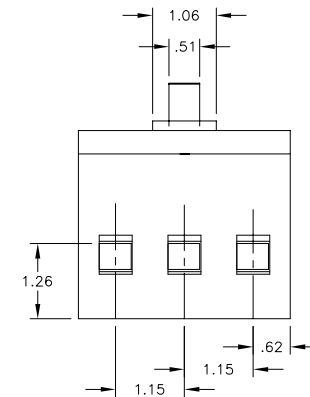
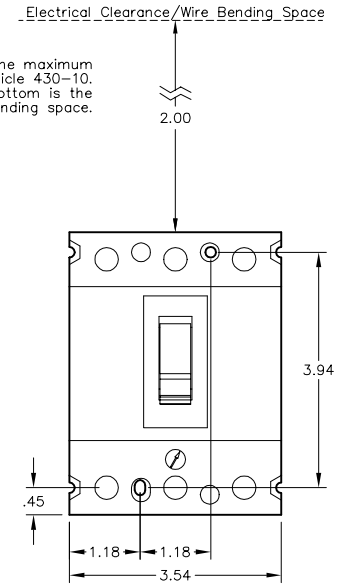
\* SELF-CERTIFIED, BASED ON TESTS USING MINIMUM WIRE IMPEDANCE AND NO MOTOR CIRCUIT COMPONENTS.

Catalog Number: GJL360(1)  
 Ratings: SEE CHART  
 UL File/CCN: -  
 CSA File/Class: -  
 Meets Standards: UL, IEC, CSA, NOM  
 Weight: -  
 Wire Size: -  
 Terminal torque: -  
 Mounting Hwd.: 8-32 SCREWS



ISOMETRIC VIEW

Electrical Clearance/Wire Bending Space  
 Wire bending space is based upon the maximum wire size of the terminal, and NEC article 430-10. Wire bending space for the bottom is the same as the top wire bending space.



\*THE SQUARE D COMPANY HAS PROPRIETARY RIGHTS TO THE INFORMATION CONTAINED HEREON. THIS INFORMATION REMAINS THE PROPERTY OF SQUARE D COMPANY AND MAY BE USED ONLY IN CONFORMANCE WITH INSTRUCTIONS ISSUED BY SQUARE D COMPANY. USER SHOULD VERIFY DRAWINGS ARE TO THE LATEST/CURRENT REVISION PRIOR TO INCORPORATING IN A DESIGN FILE.\*

**DO NOT SCALE DRAWING**  
 UNLESS OTHERWISE SPECIFIED DIMENSIONS ARE IN INCHES

THIRD ANGLE PROJECTION  
 TOLERANCES  
 UNLESS OTHERWISE SPECIFIED  
 2 PLACE DECIMALS ± .01

CIRCUIT BREAKERS  
 (MAG-GARD INSTANTANEOUS-TRIP)  
 GJL360(1)

**SQUARE D COMPANY**

DWG# GJL\_3P\_100A\_OUTLINE\_001  
 NO.