

CATALOG NUMBERING	
F (*) L (**) (***)	SEE CHART BELOW
A, H, OR C	32 = 240 VAC
32, 34, OR 36	34 = 480 VAC
	36 = 600 VAC
015 - 100 AMP	015 - 050 AMP: INCREMENT BY 5
	050 - 100 AMP: INCREMENT BY 10

FAL (Standard Interrupting)

Ratings: 600VAC/250VDC, 15-100 AMPERE

FHL (High Interrupting)

Ratings: 600VAC/250VDC, 15-100 AMPERE

FCL (Extra High Interrupting)

Ratings: 480VAC, 15-100 AMPERE

FAL & FHL (15-30 AMP)

Wire Size: (1) #14-#4
Terminal Torque: 35 LB/IN

FAL & FHL (35-100 AMP)

Wire Size: (1) #14-1/0
Terminal Torque: 80 LB/IN

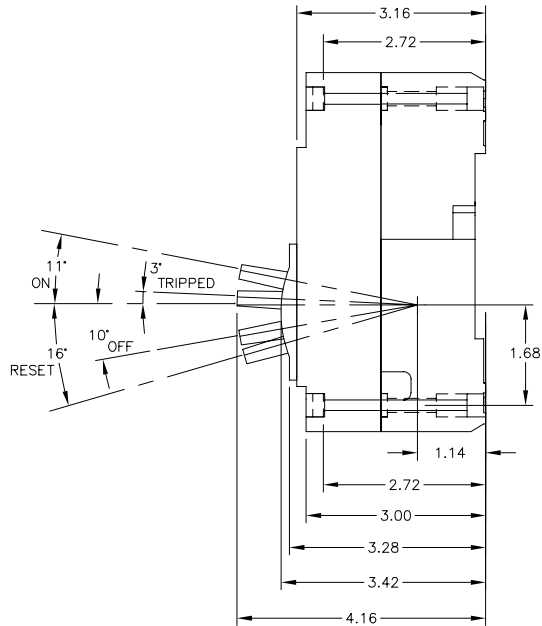
FCL (15-30 AMP)

Wire Size: (1) #14-#10
Terminal Torque: 35 LB/IN

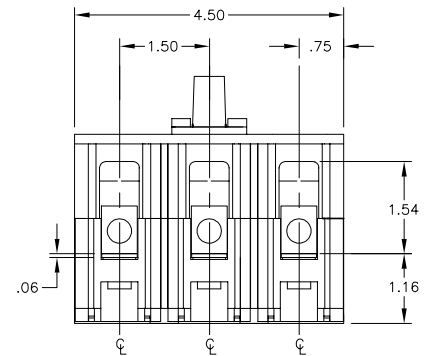
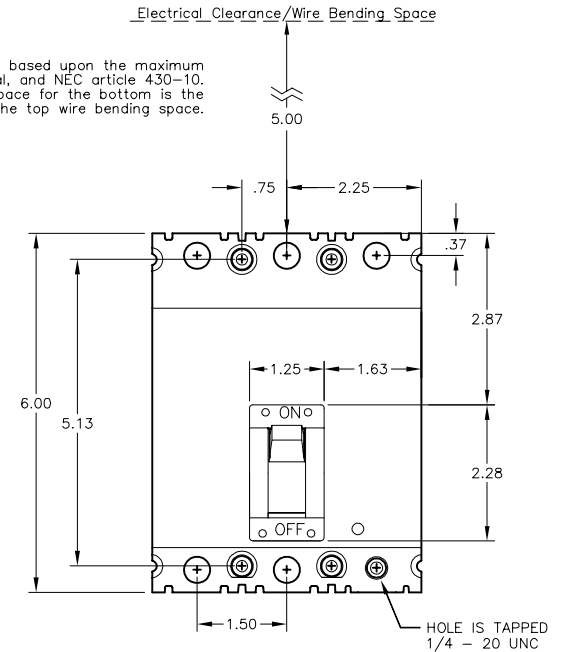
FCL (35-100 AMP)

Wire Size: (1) #14-#3
Terminal Torque: 80 LB/IN

Catalog Number: SEE CHART
Ratings: SEE CHART
UL File/Guide: E10027
CSA File/Guide: LR7551
Meets Standards: IEC 157-1
Weight: 4.23 lbs.
Wire Size: SEE CHART
Terminal torque: SEE CHART
Mounting Hwd.: 8-32 SCREWS



Electrical Clearance/Wire Bending Space
Wire bending space is based upon the maximum wire size of the terminal, and NEC article 430-10. Wire bending space for the bottom is the same as the top wire bending space.



"THE SQUARE D COMPANY HAS PROPRIETARY RIGHTS TO THE INFORMATION CONTAINED HEREON. THIS INFORMATION REMAINS THE PROPERTY OF SQUARE D COMPANY AND MAY BE USED ONLY IN CONFORMANCE WITH INSTRUCTIONS ISSUED BY SQUARE D COMPANY. USER SHOULD VERIFY DRAWINGS ARE TO THE LATEST/CURRENT REVISION PRIOR TO INCORPORATING IN A DESIGN FILE."

DO NOT SCALE DRAWING
UNLESS OTHERWISE SPECIFIED DIMENSIONS ARE IN INCHES

THIRD ANGLE PROJECTION
TOLERANCES
UNLESS OTHERWISE SPECIFIED
2 PLACE DECIMALS ± .01

CIRCUIT BREAKERS (100A FRAME)
(THERMAL MAGNETIC MOLDED CASE)
SEE CHART

SQUARE D COMPANY

DWG# FA-FC-FH_3P_100A_OUTLINE_001
NO.