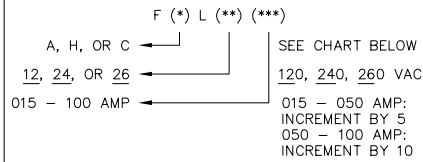


CATALOG NUMBERING



* FCL 2-pole circuit breaker built using 3-pole module.

FAL (Standard Interrupting)

Ratings: 600VAC/250VDC, 15-100 AMPERE

FHL (High Interrupting) *

Ratings: 600VAC/250VDC, 15-100 AMPERE

FCL (Extra High Interrupting)

Ratings: 480VAC, 15-100 AMPERE

FAL & FHL (15-30 AMP)

Wire Size: (1) #14-#4

Terminal Torque: 35 LB/IN

FAL & FHL (35-100 AMP)

Wire Size: (1) #14-1/0

Terminal Torque: 80 LB/IN

FCL (15-30 AMP)

Wire Size: (1) #14-#10

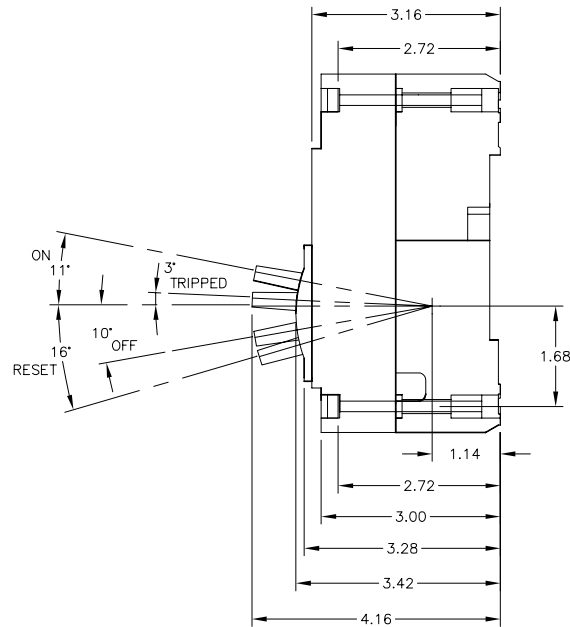
Terminal Torque: 35 LB/IN

FCL (35-100 AMP)

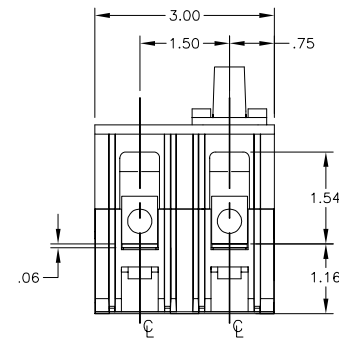
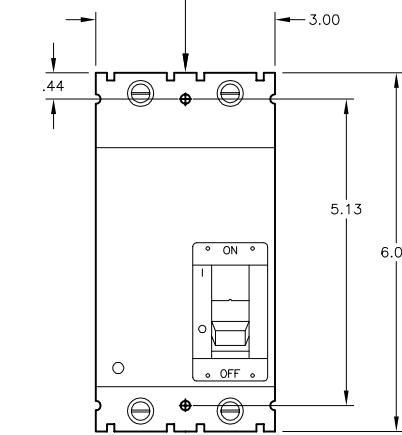
Wire Size: (1) #14-#3

Terminal Torque: 80 LB/IN

Catalog Number: SEE CHART
 Ratings: SEE CHART
 UL File/Guide: E10027
 CSA File/Guide: LR7551
 Meets Standards: IEC 157-1
 Weight: 2.95 lbs.
 Wire Size: SEE CHART
 Terminal torque: SEE CHART
 Mounting Hwd.: 8-32 SCREWS



----- Electrical Clearance/Wire Bending Space -----
 Wire bending space is based upon the maximum wire size of the terminal, and NEC article 430-10.
 Wire bending space for the bottom is the same as the top wire bending space.



"THE SQUARE D COMPANY HAS PROPRIETARY RIGHTS TO THE INFORMATION CONTAINED HEREON. THIS INFORMATION REMAINS THE PROPERTY OF SQUARE D COMPANY AND MAY BE USED ONLY IN CONFORMANCE WITH INSTRUCTIONS ISSUED BY SQUARE D COMPANY. USER SHOULD VERIFY DRAWINGS ARE TO THE LATEST/CURRENT REVISION PRIOR TO INCORPORATING IN A DESIGN FILE."

DO NOT SCALE DRAWING
 UNLESS OTHERWISE SPECIFIED DIMENSIONS ARE IN INCHES

THIRD ANGLE PROJECTION
TOLERANCES
 UNLESS OTHERWISE SPECIFIED
 2 PLACE DECIMALS ± .01

CIRCUIT BREAKERS (100A FRAME)
 (THERMAL MAGNETIC MOLDED CASE)
 SEE CHART

SQUARE D COMPANY

DWG# FA-FC-FH_2P_100A_OUTLINE_001
 NO.