

NOTES:

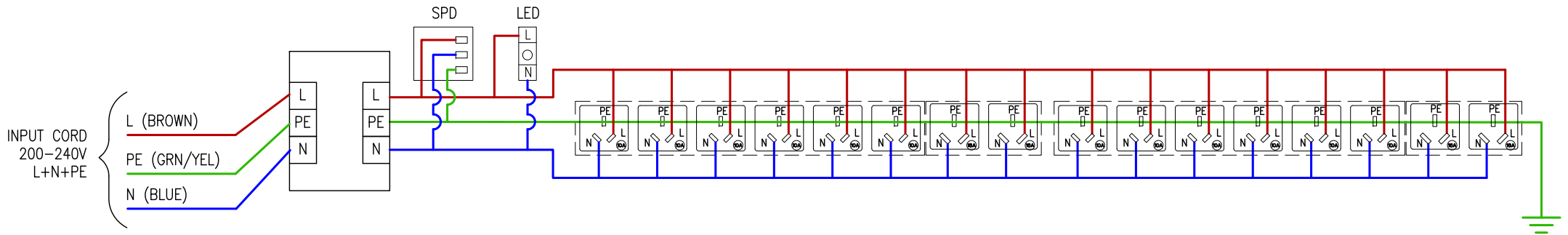
1. INSTALLATION SHALL COMPLY WITH ALL APPLICABLE NATIONAL, STATE AND LOCAL ELECTRICAL CODES.
2. REFER TO PRODUCT DOCUMENTATION FOR ADDITIONAL DETAILS PRIOR TO INSTALLATION AND PREPARATION WORK.
3. UNLESS OTHERWISE SPECIFIED, ALL DIMENSIONS ARE IN MILLIMETERS [INCHES].
4. NET WEIGHT OF UNIT IS 1.84kg [4.05 lb].
- △ 5. UNIVERSAL MOUNTING BRACKET IS AN ALTERNATIVE MOUNTING METHOD TO THE TOOL LESS MOUNT FOR 3RD PARTY ENCLOSURES. BRACKET IS PROVIDED WITH THE UNIT.
6. REFER TO WARNING LABEL ON REAR OF UNIT FOR SCREW MOUNTING.

THIS DRAWING AND SPECIFICATIONS HEREIN ARE THE PROPERTY OF SCHNEIDER ELECTRIC AND SHALL NOT BE COPIED, REPRODUCED OR USED IN WHOLE OR IN PART, AS THE BASIS FOR THE MANUFACTURE OR SALE OF ITEMS WITHOUT WRITTEN PERMISSION FROM SCHNEIDER ELECTRIC. THIS DRAWING IS BASED UPON LATEST AVAILABLE INFORMATION AND IS SUBJECT TO CHANGE WITHOUT NOTICE.



TITLE:	Easy PDU, Basic ZERO U, 16A, 230V INPUT: L+N+PE OUTPUT: (12)GB1002-10A & (4)GB1002-16A GENERAL ARRANGEMENT	DWG NO:	EPDU2116B-GB16S	REV:	0
PROJECT:	SUBMITTAL DRAWING	ENGINEER:	Troy LIU	DATE:	16-JUL-20
SHEET:	1 OF 2	APPROVED:	Tong XU	DATE:	16-JUL-20
				DRAWN:	JAYAPRAKASH
				DATE:	14-JUL-20
				DATE:	16-JUL-20
				DATE:	16-JUL-20

FIRST ANGLE PROJECTION



NOTES:

1. INSTALLATION SHALL COMPLY WITH ALL APPLICABLE NATIONAL, STATE AND LOCAL ELECTRICAL CODES.
2. REFER TO PRODUCT DOCUMENTATION FOR ADDITIONAL DETAILS PRIOR TO INSTALLATION AND PREPARATION WORK.
3. THIS DRAWING DEPICTS THE POWER SYSTEM CONNECTIONS AND IS NOT REPRESENTATIVE OF THE PHYSICAL LAYOUT. PLEASE REFER TO MECHANICAL DRAWINGS FOR PHYSICAL LAYOUT.

THIS DRAWING AND SPECIFICATIONS HEREIN ARE THE PROPERTY OF SCHNEIDER ELECTRIC AND SHALL NOT BE COPIED, REPRODUCED OR USED IN WHOLE OR IN PART, AS THE BASIS FOR THE MANUFACTURE OR SALE OF ITEMS WITHOUT WRITTEN PERMISSION FROM SCHNEIDER ELECTRIC. THIS DRAWING IS BASED UPON LATEST AVAILABLE INFORMATION AND IS SUBJECT TO CHANGE WITHOUT NOTICE.



TITLE:	Easy PDU, Basic ZERO U, 16A, 230V INPUT: L+N+PE OUTPUT: (12)GB1002-10A & (4)GB1002-16A SCHEMATIC DIAGRAM	DWG NO:	EPDU2116B-GB16S	REV.	0
PROJECT:	SUBMITTAL DRAWING	DRAWN:	JAYAPRAKASH	14-JUL-20	ANGLE
	SHEET 2 OF 2	ENGINEER:	Troy LIU	16-JUL-20	PROJECTION
		APPROVED:	Tong XU	16-JUL-20	N.A.