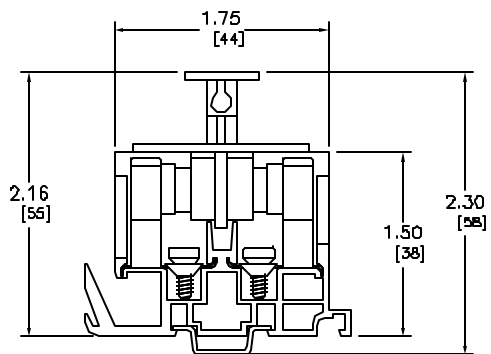


FRONT



RIGHT

Catalog Number: 9080-GF6
 Ratings: 600V, 3DA
 UL File/CCN: E80918/XCFR2
 CSA File/Class: LR82144/822B 01
 Meets Standards: -
 Weight: D.DS lbs.
 Wire Sizes: #18-#10 AWG
 Terminal torque: 12 lb./in.
 Mounting Hwd.: TERMINAL MOUNTING CHANNEL, 35mm DIN RAIL

DUAL DIMENSIONS: INCHES
 MILLIMETERS

TERMINAL BLOCKS
 (TYPE G) (NEMA)
 CLASS 808D TYPE GFB



DWG# E0801801-01
 NO.