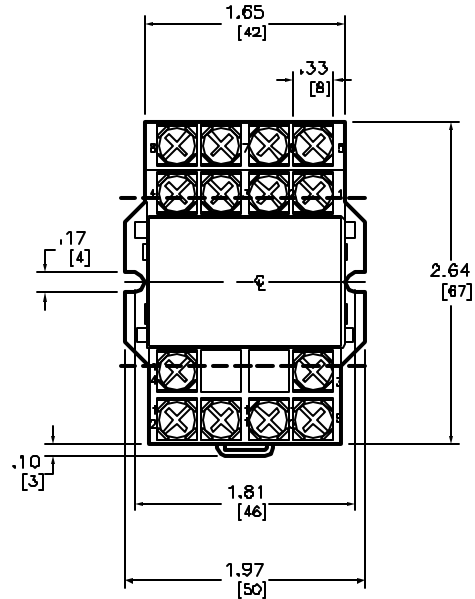
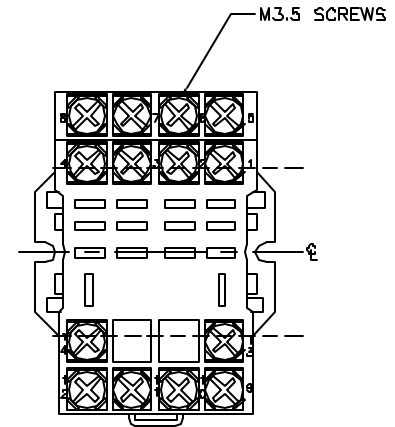


LEFT VIEW



FRONT VIEW

SHOWN WITH RELAY INSTALLED



FRONT VIEW

SHOWN WITHOUT RELAY INSTALLED

Catalog Number: 85D1-NR34  
 Ratings: 30DV, 10A  
 UL File/CDN: E66924/SW1V2  
 CSA File/Class: LR84913/3211 07  
 Meets Standards: -  
 Weight: -  
 Wire Size: #12-#22 AWG  
 Terminal torque: -  
 Mounting Hwd.: (2) #6-32 SCREWS, 35mm DIN TRACK

DUAL DIMENSIONS: INCHES  
 MILLIMETERS

GENERAL PURPOSE RELAY SOCKET  
 CLASS B501 TYPE NR34



DWG# E0703901-01  
 NO.