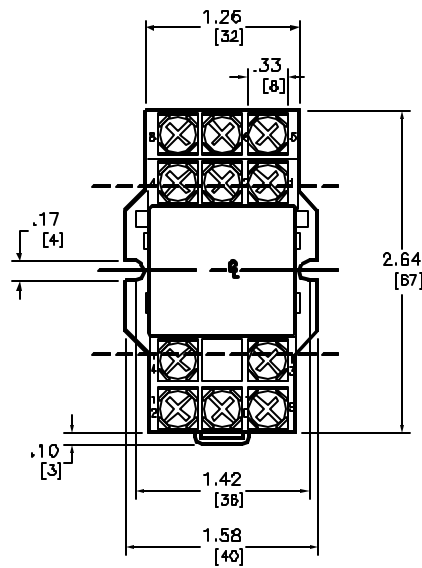
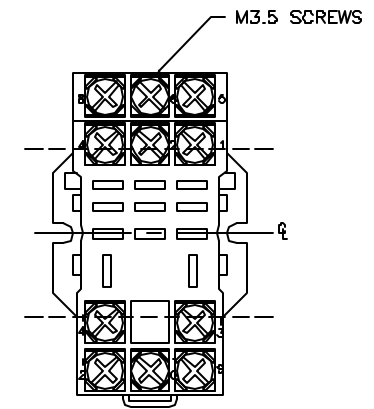


LEFT VIEW



FRONT VIEW  
SHOWN WITH RELAY INSTALLED



FRONT VIEW  
SHOWN WITHOUT RELAY INSTALLED

Catalog Number: B501-NR43  
 Ratings: 300V, 10A  
 UL File/CCN: E66924/SW1V2  
 CSA File/Class: LRB4913/3211 D7  
 Meets Standards: -  
 Weight: -  
 Wire Size: #12-#22 AWG  
 Terminal torque: -  
 Mounting Hwd.: (2) #8-32 SCREWS, 35mm DIN TRACK

DUAL DIMENSIONS: INCHES  
 MILLIMETERS

GENERAL PURPOSE RELAY SOCKET  
 CLASS B501 TYPE NR43



DWG# E0703801-01  
 NO.