

SOLID STATE OVERLOAD RELAY - 600V AC MAXIMUM

NEMA SIZE	FULL LOAD CURRENT RANGE (AMPERES)	BASE UNIT		FEATURE UNIT
		TRIP CLASS 10 CODE (1)	TRIP CLASS 20 CODE (1)	TRIP CLASS 10/20 CODE (1)
4	45-135	410	420	420

TIGHTENING TORQUE

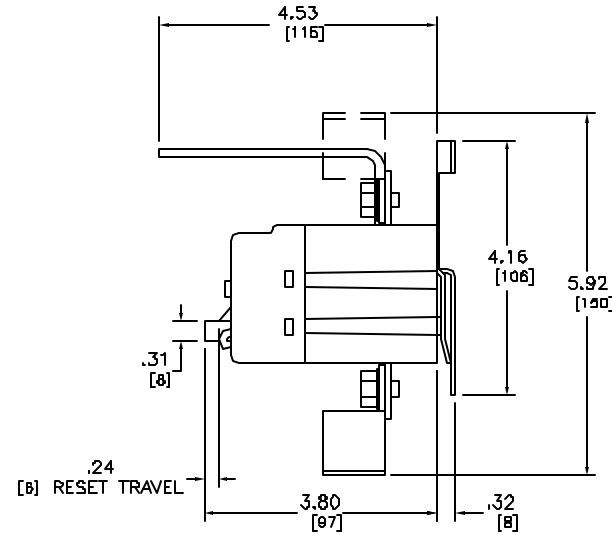
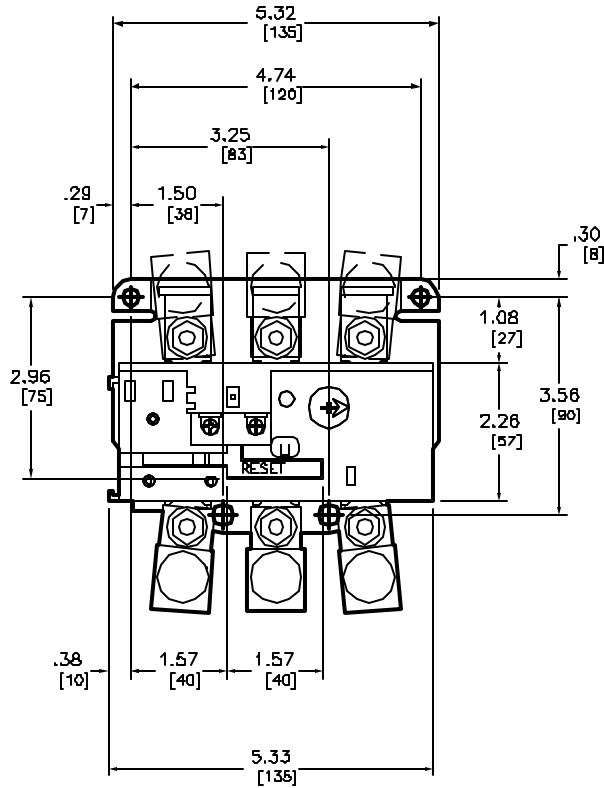
LUG KIT	#5-250 NCM	200 lb-in
POWER WIRE		
CONTROL WIRE	#16-12 AWG (TWO PER TERMINAL)	-

TYPE CODE (2)	SOLID STATE OVERLOAD RELAY
SS	BASE UNIT
* SR	
SF	FEATURE UNIT
* ST	

**BASE UNIT RELAYS INCLUDE:**  
 3 to 1 adjustment for trip current;  
 Phase loss and unbalance protection;  
 Direct replacement for Type S melting alloy;  
 and LED power indication.  
 They are ambient insensitive and self powered.  
 Electrical remote reset is also available.

**FEATURE UNIT RELAYS INCLUDE:**  
 All the features found on the Base Unit plus:  
 Switch selectable trip class;  
 and Class II ground fault detection.  
 These units accept the Analog Output Module.

\* = Replacement SSOLR for Retrofit of Square D Type S Starter.



Catalog Number: 9065-(2)(1)  
 Ratings: SEE CHART  
 UL File/CCN: NKCR-7  
 CSA File/Class: 32011-03  
 Meets Standards: -  
 Weight: 3.58 lbs  
 Wire Size: SEE CHART  
 Terminal torque: SEE CHART  
 Mounting Hwd.: (4) #1/4-20 screws

DUAL DIMENSIONS: INCHES  
 MILLIMETERS

SOLID STATE OVERLOAD RELAY  
 CLASS 9065 TYPE (2) (1)



DWG# E0320301-01  
 NO.