

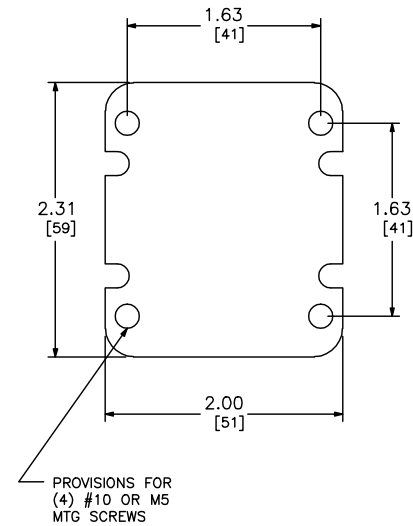
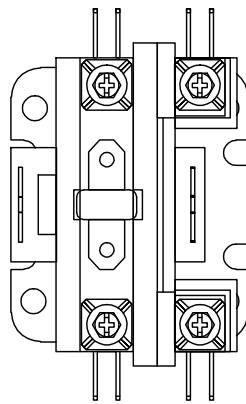
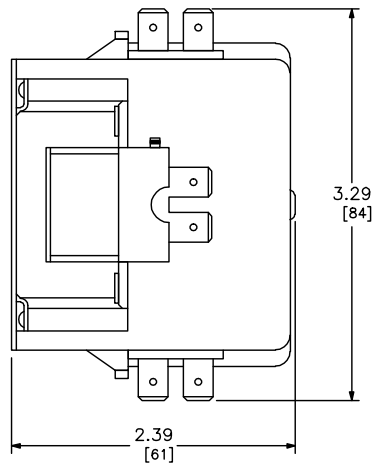
1-POLE DEFINITE PURPOSE — 300 VAC, 50-60 HZ

FULL LOAD AMPERES CODE (2)	
TYPE	FLA
11	20 FLA
21	25 FLA
31	30 FLA
* 41	40 FLA

COIL VOLTAGE CODE (1)	VOLTAGE	
	60 HZ	50 HZ
V14	24	24
V02	120	110
V09	208-240	220
V04	277	-

QUICK CONNECT TERMINALS AND
BINDER HEAD SCREWS FOR EASY WIRING.

* = BOX LUGS #14-#4 AWG WIRE SIZE



CATALOG NUMBER: 8910-DP(2)(1)
 RATINGS: SEE CHART
 UL FILE/CCN: UL E78351/NLXD2
 CSA FILE/CLASS: CSA 172334/321104
 MEETS STANDARDS: -
 WEIGHT: 0.58 LB
 WIRE SIZE: POWER — #16-#8
 TERMINAL TORQUE: 22LB — IN (20 TO 30 FLA) 40LB — IN (40 FLA)
 MOUNTING HWD.: (4) #10 OR M5 SCREWS

DUAL DIMENSIONS: INCHES
MILLIMETERS

DEFINITE PURPOSE CONTACTOR (1 POLE)
 CLASS 8910 TYPE DP (2)(1)
 SERIES C



DWG# E0310001-01-C
 NO.