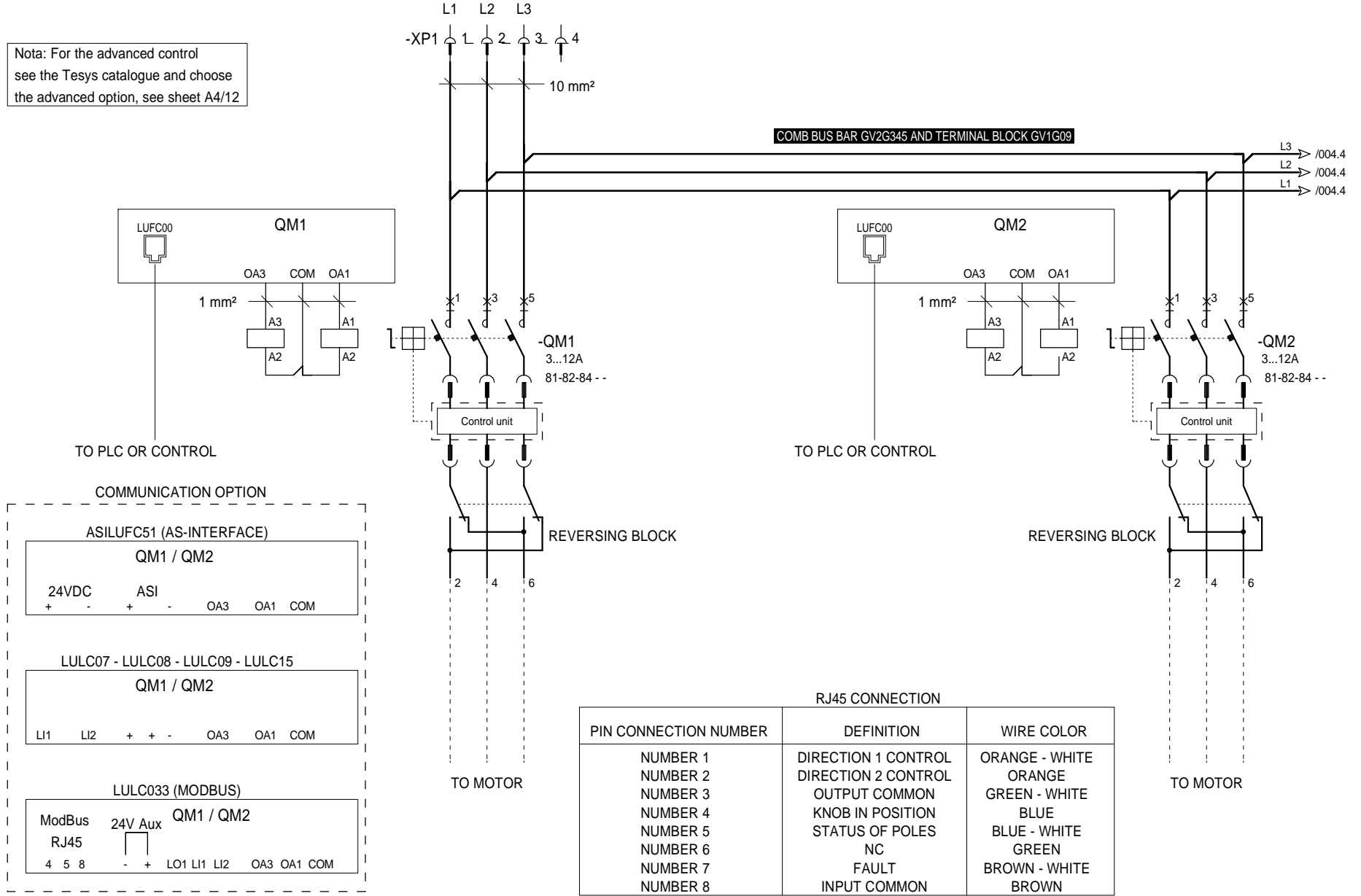


1	2		3		4		5		6		7		8		9		10			
Folio Sheet	Designation Designation		Indice de modification Revision						Folio Sheet	Designation Designation		Indice de modification Revision								
001	FRONT PAGE		00																	
002	SUMMARY		00																	
003	FUNCTIONAL PLATE		00																	
004	FUNCTIONAL PLATE		00																	
005	LAYOUT		00																	
006	WIRE LIST		00																	
007	PART LIST		00																	
Archivage Microfilm			SUMMARY						CELLEAN OFFER											
															QGH7750303 Projet - No commande Project - Order No.					
															Indice Rev 00					
															Folio Sheet 002					

This technical information, contained in this document is the exclusive property of Schneider Electric Industries S.A.S. and cannot be used or disclosed to third parties of any kind without its written consent. Only those drawings and diagrams permitted after order booking are binding for execution. All devices shown in this diagrams are in their normal position. Drawn out with operating mechanism discharged and all power sources off.

Les informations techniques contenues dans ce document (sauf la portée explicite de Schneider Electric Industries S.A.S. et ne peuvent être utilisées ou divulguées à des tiers) sont la propriété exclusive de Schneider Electric Industries S.A.S. et ne peuvent être utilisées ou divulguées à des tiers sans son accord écrit. Seuls ceux autorisés par la commande. Les appareils représentés sur ce schéma sont en position ouverte - débranchés - débranchés - toutes sources coupées.

Nota: For the advanced control see the Tesys catalogue and choose the advanced option, see sheet A4/12



COMMUNICATION OPTION

ASILUFC51 (AS-INTERFACE)
 QM1 / QM2
 24VDC ASI OA3 OA1 COM
 + - + -

LULC07 - LULC08 - LULC09 - LULC15
 QM1 / QM2
 LI1 LI2 + + - OA3 OA1 COM

LULC033 (MODBUS)
 ModBus 24V Aux QM1 / QM2
 RJ45 - + LO1 LI1 LI2 OA3 OA1 COM
 4 5 8

RJ45 CONNECTION

PIN CONNECTION NUMBER	DEFINITION	WIRE COLOR
NUMBER 1	DIRECTION 1 CONTROL	ORANGE - WHITE
NUMBER 2	DIRECTION 2 CONTROL	ORANGE
NUMBER 3	OUTPUT COMMON	GREEN - WHITE
NUMBER 4	KNOB IN POSITION	BLUE
NUMBER 5	STATUS OF POLES	BLUE - WHITE
NUMBER 6	NC	GREEN
NUMBER 7	FAULT	BROWN - WHITE
NUMBER 8	INPUT COMMON	BROWN

This technical information is the property of Schneider Electric Industries S.A.S. and cannot be used or disclosed to third parties without its written consent. Only those drawings and diagrams permitted after order booking are binding for execution. All devices shown in this diagrams are in open position. Drawn out with operating mechanism disassembled and all power sources off.

Les informations techniques contenues dans ce document sont la propriété exclusive de Schneider Electric Industries S.A.S. et ne peuvent être utilisées ou divulguées à des tiers sans son accord écrit. Seuls nos engagements pour l'exécution des plans et schémas remis après enregistrement de la commande. Les appareils représentés sur ce schéma sont en position ouverte - débranchés - toutes sources coupées.

Ind.	Date	Modification	Archiv.	Ind.	Date	Modification	Archiv.
00	10/01/2017	Edition originale					

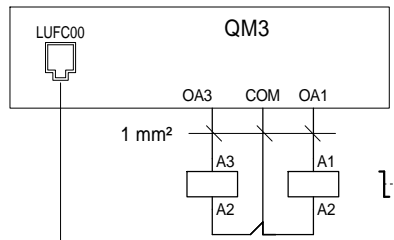
FUNCTIONAL PLATE
 DOL3U55R
 TESYS U
 WITH COMMUNICATION
 2 WAY ROTATION

CELLEAN OFFER

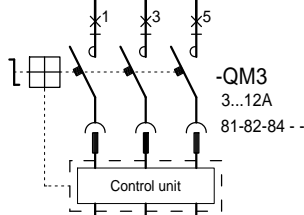
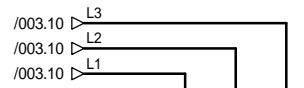
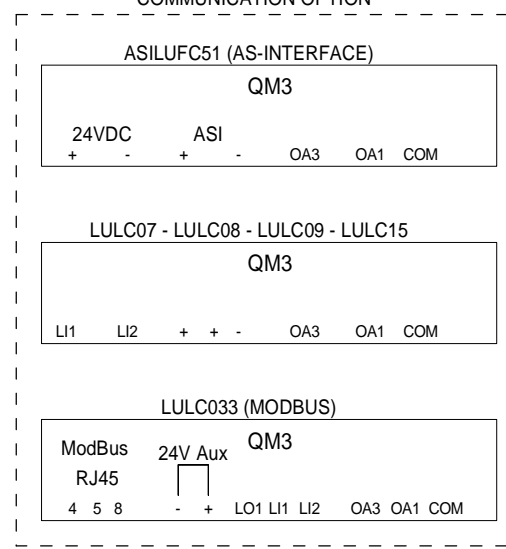


QGH7750303
 Projet - No commande
 Project - Order No. Indice Rev 00 Folio Sheet 003

Nota: For the advanced control see the Tesys catalogue and choose the advanced option, see sheet A4/12



TO PLC OR CONTROL



-QM3
3...12A
81-82-84 - -

REVERSING BLOCK

TO MOTOR

RJ45 CONNECTION		
PIN CONNECTION NUMBER	DEFINITION	WIRE COLOR
NUMBER 1	DIRECTION 1 CONTROL	ORANGE - WHITE
NUMBER 2	DIRECTION 2 CONTROL	ORANGE
NUMBER 3	OUTPUT COMMON	GREEN - WHITE
NUMBER 4	KNOB IN POSITION	BLUE
NUMBER 5	STATUS OF POLES	BLUE - WHITE
NUMBER 6	NC	GREEN
NUMBER 7	FAULT	BROWN - WHITE
NUMBER 8	INPUT COMMON	BROWN

This technical information is the property of Schneider Electric Industries S.A.S. and cannot be used or disclosed to third parties of any kind without its written consent. Only those drawings and diagrams permitted after order booking are binding for execution. All devices shown in this diagrams are in open position. Drawn out with operating mechanism disassembled and all power sources off.

Les informations techniques contenues dans ce document sont la propriété exclusive de Schneider Electric Industries S.A.S. et ne peuvent être utilisées ou divulguées à des tiers sans le consentement écrit de Schneider Electric Industries S.A.S. Seuls nos engagements sur ce schéma sont en position ouvert - disassembled - débranchés - toutes sources coupées.

Ind.	Date	Modification	Archiv.	Ind.	Date	Modification	Archiv.
00	10/01/2017	Edition originale					

FUNCTIONAL PLATE
DOL3U55R
TESYS U
WITH COMMUNICATION
2 WAY ROTATION

CELLEAN OFFER



QGH7750303 Projet - No commande Project - Order No.		Indice Rev 00	Folio Sheet 004
--	--	---------------------	-----------------------

This technical information is the exclusive property of Schneider Electric Industries S.A.S. and cannot be used or disclosed to third parties of any kind without its written consent. Only those diagrams and diagrams permitted after order booking are binding for execution. All devices shown in this diagrams are in open position. Drawn out with operating mechanism discharged and all power sources off.

Les informations techniques contenues dans ce document sont la propriété exclusive de Schneider Electric Industries S.A.S. et ne peuvent être utilisées ou divulguées à des tiers sans son accord écrit. Seuls nos engagements pour l'exécution des plans et schémas remis après enregistrement de la commande. Les appareils représentés sur ce schéma sont en position ouverte - débranchés - débranchés - toutes sources coupées.

1 2 3 4 5 6 7 8 9 10

A

B

C

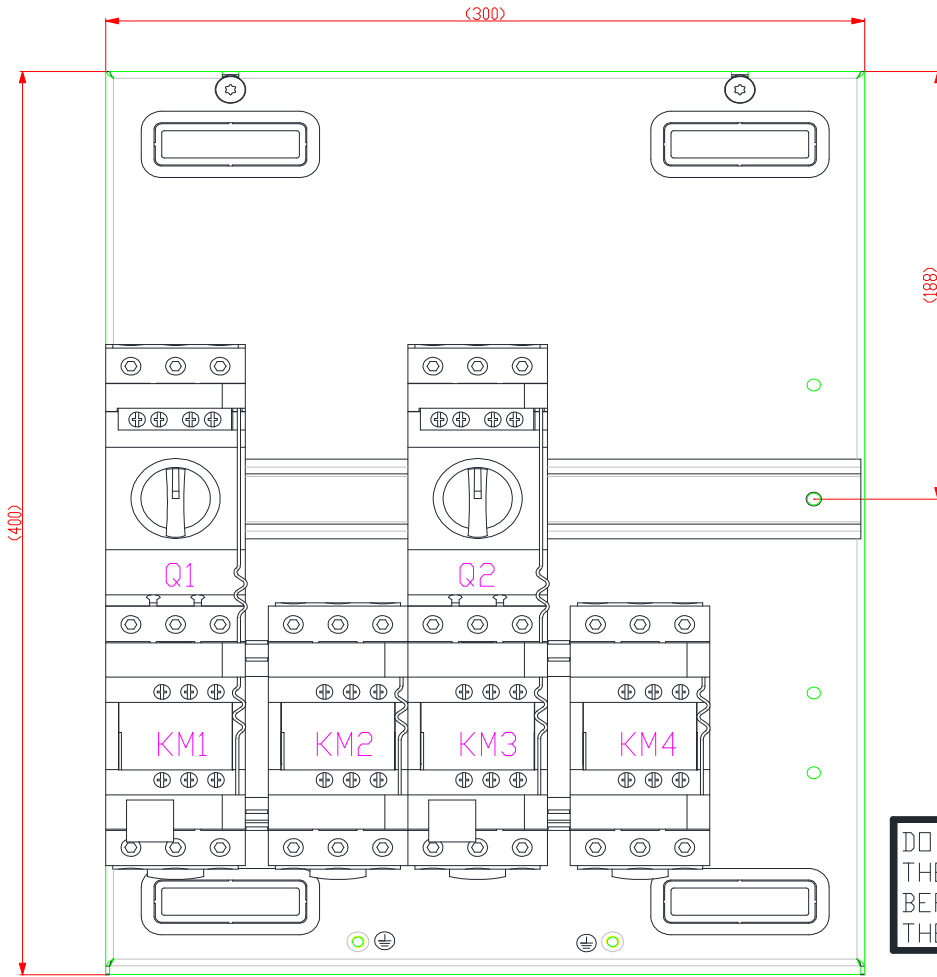
D

A

B

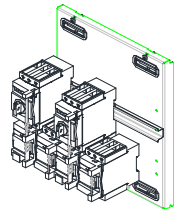
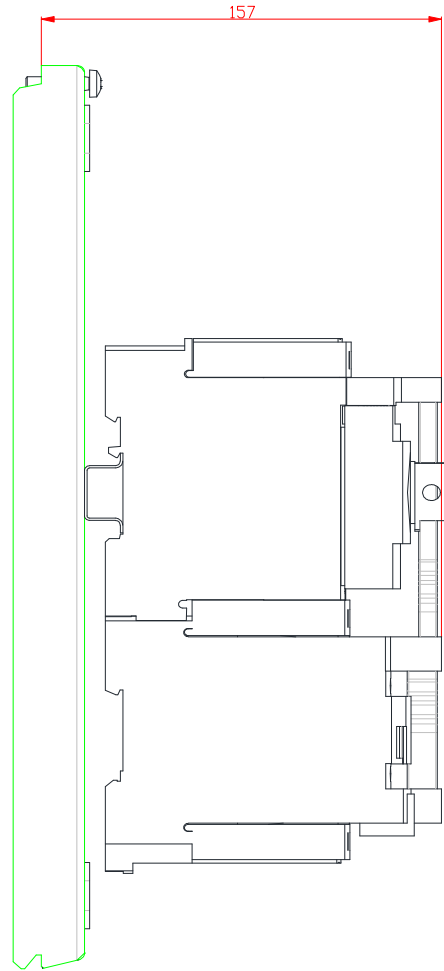
C

D



DO NOT DISCONNECT
THE GROUND WIRE
BEFORE DISCONNECTING
THE MOTOR CABLE

APPROXIMATE WEIGHT : 5000 g



Ind.	Date	Modification	Archiv.	Ind.	Date	Modification	Archiv.
00	27/01/2017	Edition originale					

LAYOUT
DOL3U55R
TESYS U
WITH COMMUNICATION
2 WAY ROTATION

CELLEAN OFFER



QGH7750303

Project - No commande Project - Order No.	Indice Rev 00	Folio Sheet 005
--	---------------------	-----------------------

1	2		3		4	5		6	7	8	9		10
Type of circuit	Electrical Features (A)	Wire Destination		Sheet N°	Designation	Color	Section	Wire Type	Câble end				
		From	To						From	To			
POWER CIRCUIT	36A	----	QM1.1	003	UNIPOLAR INSULATED ELECTRIC CABLE	BLACK	10 mm²	H07V-K	CABLE END INSULATED	CABLE END INSULATED			
		----	QM1.3	003	UNIPOLAR INSULATED ELECTRIC CABLE	BLACK	10 mm²	H07V-K	CABLE END INSULATED	CABLE END INSULATED			
		----	QM1.5	003	UNIPOLAR INSULATED ELECTRIC CABLE	BLACK	10 mm²	H07V-K	CABLE END INSULATED	CABLE END INSULATED			
CONTROL CIRCUIT		QM1.OA1	QM1.A1	003	UNIPOLAR INSULATED ELECTRIC CABLE	BLACK	1 mm²	H05V-K	CABLE END INSULATED	CABLE END INSULATED			
		QM1.COM	QM1.A2	003	UNIPOLAR INSULATED ELECTRIC CABLE	BLACK	1 mm²	H05V-K	CABLE END INSULATED	CABLE END INSULATED			
		QM1.COM	QM1.A2	003	UNIPOLAR INSULATED ELECTRIC CABLE	BLACK	1 mm²	H05V-K	CABLE END INSULATED	CABLE END INSULATED			
		QM1.OA3	QM1.A3	003	UNIPOLAR INSULATED ELECTRIC CABLE	BLACK	1 mm²	H05V-K	CABLE END INSULATED	CABLE END INSULATED			
		QM2.OA1	QM2.A1	003	UNIPOLAR INSULATED ELECTRIC CABLE	BLACK	1 mm²	H05V-K	CABLE END INSULATED	CABLE END INSULATED			
		QM2.COM	QM2.A2	003	UNIPOLAR INSULATED ELECTRIC CABLE	BLACK	1 mm²	H05V-K	CABLE END INSULATED	CABLE END INSULATED			
		QM2.COM	QM2.A2	003	UNIPOLAR INSULATED ELECTRIC CABLE	BLACK	1 mm²	H05V-K	CABLE END INSULATED	CABLE END INSULATED			
		QM2.OA3	QM2.A3	003	UNIPOLAR INSULATED ELECTRIC CABLE	BLACK	1 mm²	H05V-K	CABLE END INSULATED	CABLE END INSULATED			
		QM3.OA1	QM3.A1	003	UNIPOLAR INSULATED ELECTRIC CABLE	BLACK	1 mm²	H05V-K	CABLE END INSULATED	CABLE END INSULATED			
		QM3.COM	QM3.A2	003	UNIPOLAR INSULATED ELECTRIC CABLE	BLACK	1 mm²	H05V-K	CABLE END INSULATED	CABLE END INSULATED			
		QM3.COM	QM3.A2	003	UNIPOLAR INSULATED ELECTRIC CABLE	BLACK	1 mm²	H05V-K	CABLE END INSULATED	CABLE END INSULATED			
		QM3.OA3	QM3.A3	003	UNIPOLAR INSULATED ELECTRIC CABLE	BLACK	1 mm²	H05V-K	CABLE END INSULATED	CABLE END INSULATED			

This technical information, contained in this document is the exclusive property of Schneider Electric Industries S.A.S. and cannot be used or disclosed to third parties of any kind without its written consent. Only those drawings and diagrams permitted after order booking are binding for execution. All devices shown in this diagrams are in open position, drawn out with separating mechanism disengaged and all power sources off.

Les informations techniques contenues dans ce document (sauf la propriété exclusive de Schneider Electric Industries S.A.S. et ne peuvent être utilisées ou divulguées à des tiers quels qu'ils soient sans son accord écrit. Seuls nos engagements sur ce schéma sont en vigueur. Les schémas sont représentés dans une position ouverte, avec le mécanisme de séparation désengagé et toutes les sources coupées.

Ind.	Date	Modification	Archiv.	Ind.	Date	Modification	Archiv.
00	10/01/2017	Edition originale					

WIRE LIST
 DOL3U55R
 TESYS U
 WITH COMMUNICATION
 2 WAY ROTATION

CELLEAN OFFER



QGH7750303
 Projet - No commande
 Project - Order No.

Indice Rev	Folio Sheet
00	006

		1	2	3	4	5	6	7	8	9	10
A	This technical information contained in this document is the exclusive property of Schneider Electric Industries S.A.S. and cannot be used or disclosed to third parties of any kind without its written consent. Only those drawings and diagrams permitted after order booking are binding for execution. All devices shown in this diagrams are in open position. Drawn out with separating mechanism disengaged and all power sources off.	TAG	SHEET	DESCRIPTION			MANUFACTURER		MANUFACTURER REF.		QTY
		QM1	003	BUS BAR FEED UNIT			SCHNEIDER ELECTRIC		GV1G09		1
		QM1	003	BUSBAR			SCHNEIDER ELECTRIC		GV2G345		1
		QM1	003	REVERSER 12A 24VDC			SCHNEIDER ELECTRIC		LU2B12BL		1
		QM1	003	UNIT 3-12A 24VDC			SCHNEIDER ELECTRIC		LUCA12BL		1
		QM1	003	PARALLEL WIRING MODULE			SCHNEIDER ELECTRIC		LUFC00		1
		QM2	003	REVERSER 12A 24VDC			SCHNEIDER ELECTRIC		LU2B12BL		1
		QM2	003	UNIT 3-12A 24VDC			SCHNEIDER ELECTRIC		LUCA12BL		1
		QM2	003	PARALLEL WIRING MODULE			SCHNEIDER ELECTRIC		LUFC00		1
		QM3	004	REVERSER 12A 24VDC			SCHNEIDER ELECTRIC		LU2B12BL		1
		QM3	004	UNIT 3-12A 24VDC			SCHNEIDER ELECTRIC		LUCA12BL		1
		QM3	004	PARALLEL WIRING MODULE			SCHNEIDER ELECTRIC		LUFC00		1
		XP1	003	MOVING CONNECTOR 4P 50A			SCHNEIDER ELECTRIC		LGYDC4P50M		1
		B		FUNCTION PLATE H400 x W200 4 WINDOWS VERSION A			SCHNEIDER ELECTRIC		NSYME04024A		1
DIN RAIL, WIDTH: 35mm, HEIGHT: 15mm, LENGTH: 200mm				-----		DIN RAIL T2		2			
SHUTTER AND CABLE GLAND				SCHNEIDER ELECTRIC		NSYMEWGL		3			
C	Les informations techniques contenues dans ce document (y compris les appareils, équipements, Schneider Electric Industries S.A.S. et ne peuvent être utilisées ou divulguées à des tiers quels qu'ils soient sans son accord écrit. Sous tous engagements pour exécution, les plans et schémas remis après enregistrement de la commande. Les appareils représentés sur ce schéma sont en position ouvert - disjoints - débrayés - toutes sources coupées.										
D											

PART LIST
DOL3U55R
TESYS U
WITH COMMUNICATION
2 WAY ROTATION

CELLEAN OFFER



QGH7750303

Project - No commande
Project - Order No.

Indice Rev 00
Folio Sheet 007