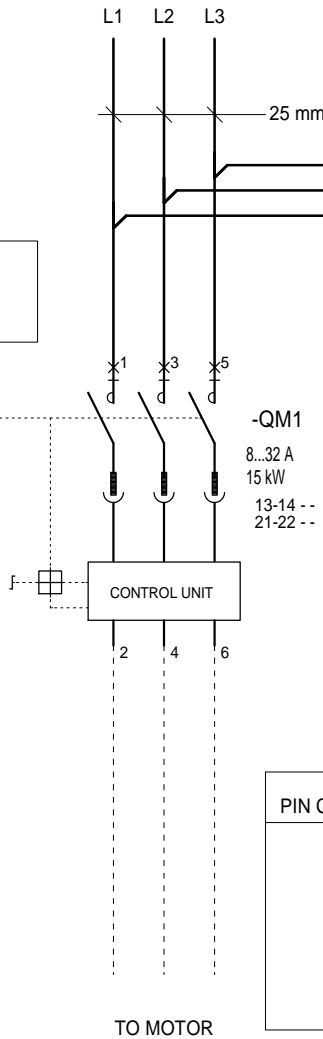
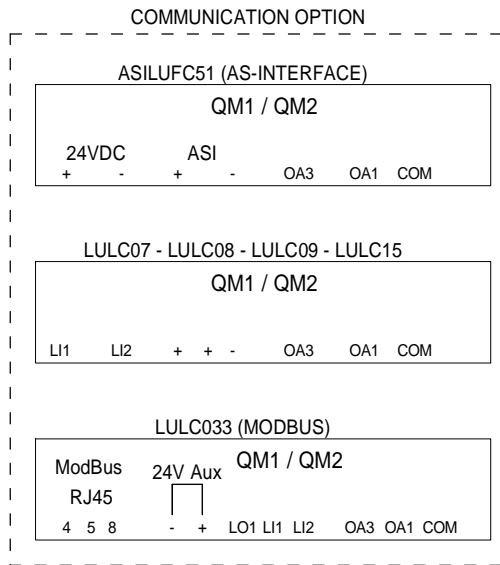
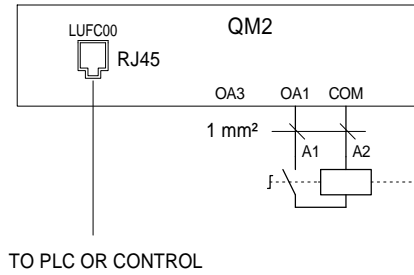
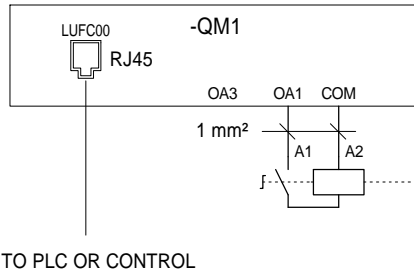


Nota: For the advanced control see the Tesys catalogue and choose the advanced option, see sheet A4/12



COMB BUS BAR GV2G345 AND TERMINAL BLOCK GV1G09

L3 /004.4
L2 /004.4
L1 /004.4

RJ45 CONNECTION

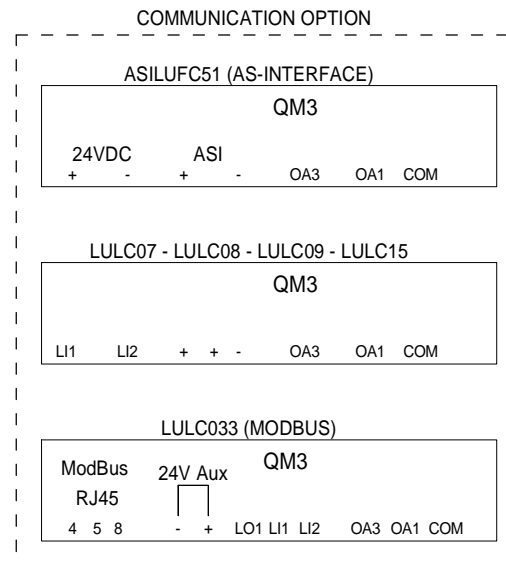
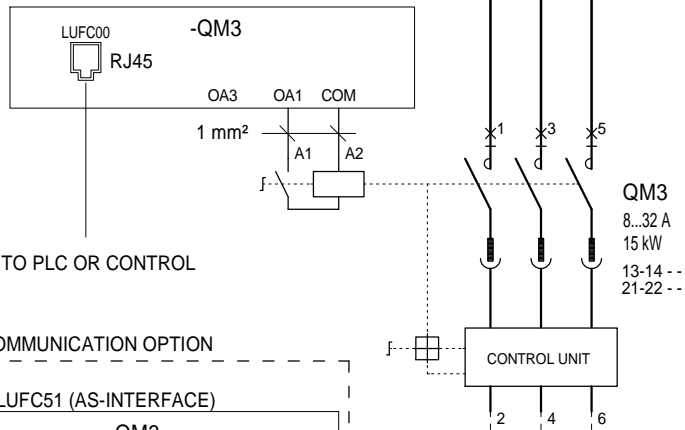
PIN CONNECTION NUMBER	DEFINITION	WIRE COLOR
NUMBER 1	DIRECTION 1 CONTROL	ORANGE - WHITE
NUMBER 2	DIRECTION 2 CONTROL	ORANGE
NUMBER 3	OUTPUT COMMON	GREEN - WHITE
NUMBER 4	KNOB IN POSITION	BLUE
NUMBER 5	STATUS OF POLES	BLUE - WHITE
NUMBER 6	NC	GREEN
NUMBER 7	FAULT	BROWN - WHITE
NUMBER 8	INPUT COMMON	BROWN

TO MOTOR

This technical information remains the property of Schneider Electric Industries S.A.S. and cannot be used or disclosed to third parties without its written consent. Only those drawings and diagrams remitted after order booking are binding for execution. All devices shown in this diagrams are in open position. Drawn out with operating mechanism disassembled and all power sources off.

Les informations techniques contenues dans ce document sont la propriété exclusive de Schneider Electric Industries S.A.S. et ne peuvent être utilisées ou divulguées à des tiers sans son accord écrit. Seuls nos engagements pour exécution, les plans et schémas remis après enregistrement de la commande. Les appareils représentés sur ce schéma sont en position ouverte - débranchés - toutes sources coupées.

Nota: For the advanced control see the Tesys catalogue and choose the advanced option, see sheet A4/12



RJ45 CONNECTION

PIN CONNECTION NUMBER	DEFINITION	WIRE COLOR
NUMBER 1	DIRECTION 1 CONTROL	ORANGE - WHITE
NUMBER 2	DIRECTION 2 CONTROL	ORANGE
NUMBER 3	OUTPUT COMMON	GREEN - WHITE
NUMBER 4	KNOB IN POSITION	BLUE
NUMBER 5	STATUS OF POLES	BLUE - WHITE
NUMBER 6	NC	GREEN
NUMBER 7	FAULT	BROWN - WHITE
NUMBER 8	INPUT COMMON	BROWN

This technical information, represented in this document, is the exclusive property of Schneider Electric Industries S.A.S. and cannot be used or disclosed to third parties in any form without its written consent. Only those drawings and diagrams permitted after order booking are binding for execution. All devices shown in this diagrams are in open position, drawn out with operating mechanism disengaged and all power sources off.

Les informations techniques contenues dans ce document sont la propriété exclusive de Schneider Electric Industries S.A.S. et ne peuvent être utilisées ou divulguées à des tiers sans le consentement écrit de la commande. Les appareils représentés sur ce schéma sont en position ouverte - débrayés - toutes sources coupées.

Ind.	Date	Modification	Archiv.	Ind.	Date	Modification	Archiv.
00	10/01/2017	Edition originale					

FUNCTIONAL PLATE
DOL3D15
TESYS U
WITH COMMUNICATION
1 WAY ROTATION

CELLEAN OFFER



QGH9358003		Indice Rev	Folio Sheet
Projet - No commande Project - Order No.		00	004

This technical information, contained in this document is the exclusive property of Schneider Electric Industries S.A.S and cannot be used or disclosed to third parties of any kind without its written consent. Only those drawings and diagrams permitted after order booking are binding for execution. All devices shown in this diagrams are in open position. Drawn out with operating mechanism discharged and all power sources off.

Les informations techniques contenues dans ce document sont la propriété exclusive de Schneider Electric Industries S.A.S et ne peuvent être utilisées ou divulguées à des tiers sans son accord écrit. Seuls ceux autorisés par la commande. Les appareils représentés sur ce schéma sont en position ouverte - débranchés - toutes sources coupées.

1 2 3 4 5 6 7 8 9 10

A

A

B

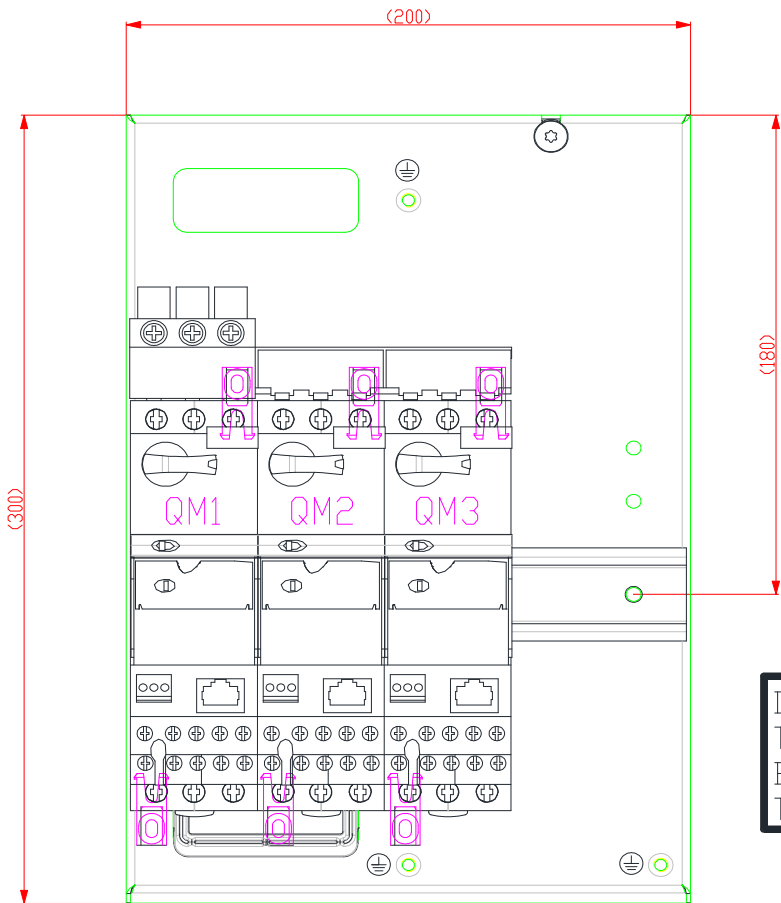
B

C

C

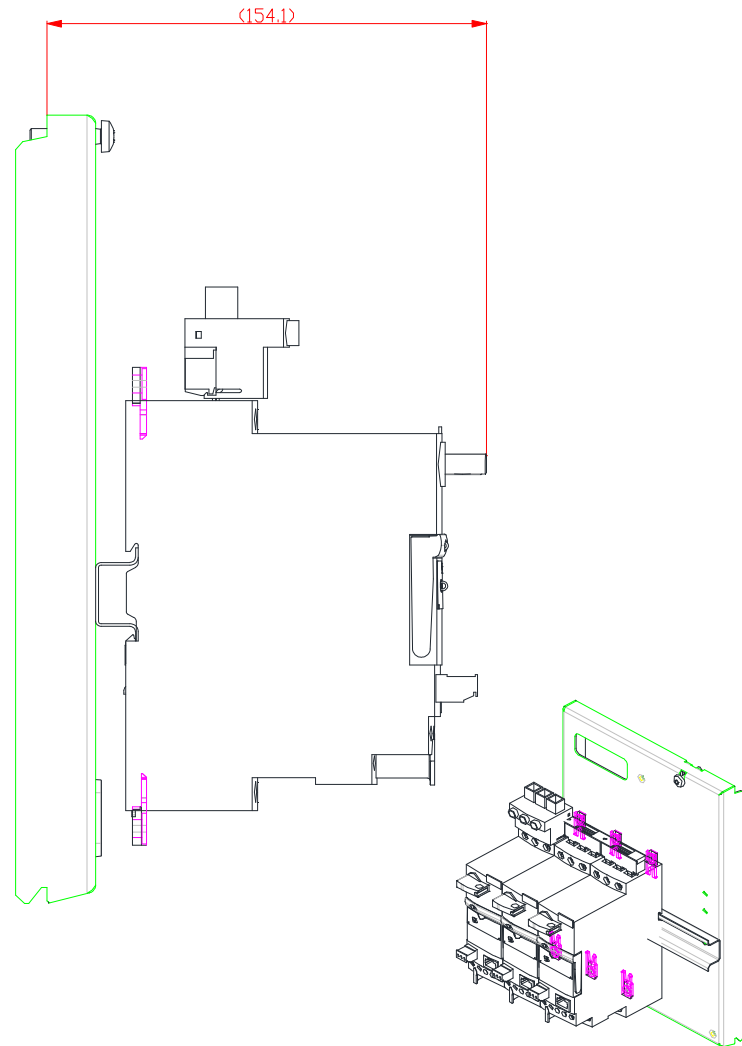
D

D



DO NOT DISCONNECT THE GROUND WIRE BEFORE DISCONNECTING THE MOTOR CABLE

APPROXIMATE WEIGHT : 3700 g



Ind.	Date	Modification	Archiv.	Ind.	Date	Modification	Archiv.
00	27/01/2017	Edition originale					

LAYOUT
DOL3D15
TESYS U
WITH COMMUNICATION
1 WAY ROTATION

CELLEAN OFFER



QGH9358003

Projet - No commande
Project - Order No.

Indice
Rev
00

Folio
Sheet
005

		1	2	3	4	5	6	7	8	9	10			
		TAG	SHEET	DESCRIPTION			MANUFACTURER	MANUFACTURER REF.		QTY				
A	This technical information contained in this document is the exclusive property of Schneider Electric Industries S.A.S. and cannot be used or disclosed to third parties of any kind without its written consent. Only those drawings and diagrams permitted after order booking are being for execution. All devices shown in this diagrams are in open position, drawn out with operating mechanism disengaged and at power sources off.	QM1	003	BUS BAR FEED UNIT			SCHNEIDER ELECTRIC	GV1G09		1	A			
		QM1	003	LINERGY FT - COMB BUSBAR - 63 A - 3 TAP-OFFS - 45 MM PITCH			SCHNEIDER ELECTRIC	GV2G345		1				
		QM1	003	COIL TERMINALS			SCHNEIDER ELECTRIC	LU9BN11		1				
		QM1	003	MODULE COVER			SCHNEIDER ELECTRIC	LU9C2		1				
		QM1	003	RJ45 PARALLEL CABLE			SCHNEIDER ELECTRIC	LU9R10		1				
		QM1	003	SCREW CLAMP BASE 32A			SCHNEIDER ELECTRIC	LUB320		1				
		QM1	003	UNIT 8-32A 24VDC			SCHNEIDER ELECTRIC	LUCM32BL		1				
		QM1	003	PARALLEL WIRING MODULE			SCHNEIDER ELECTRIC	LUFC00		1				
		B		QM2	003	COIL TERMINALS			SCHNEIDER ELECTRIC	LU9BN11		1	B	
				QM2	003	MODULE COVER			SCHNEIDER ELECTRIC	LU9C2		1		
QM2	003			RJ45 PARALLEL CABLE			SCHNEIDER ELECTRIC	LU9R10		1				
QM2	003			SCREW CLAMP BASE 32A			SCHNEIDER ELECTRIC	LUB320		1				
QM2	003			UNIT 8-32A 24VDC			SCHNEIDER ELECTRIC	LUCM32BL		1				
QM2	003			PARALLEL WIRING MODULE			SCHNEIDER ELECTRIC	LUFC00		1				
QM3	004			COIL TERMINALS			SCHNEIDER ELECTRIC	LU9BN11		1				
QM3	004			MODULE COVER			SCHNEIDER ELECTRIC	LU9C2		1				
QM3	004			RJ45 PARALLEL CABLE			SCHNEIDER ELECTRIC	LU9R10		1				
C				QM3	004	SCREW CLAMP BASE 32A			SCHNEIDER ELECTRIC	LUB320		1		C
		QM3	004	UNIT 8-32A 24VDC			SCHNEIDER ELECTRIC	LUCM32BL		1				
		QM3	004	PARALLEL WIRING MODULE			SCHNEIDER ELECTRIC	LUFC00		1				
				FUNCTION PLATE H300 x W200 2 WINDOWS VERSION A			SCHNEIDER ELECTRIC	NSYME03022A		1				
				DIN RAIL, WIDTH: 35mm, HEIGHT: 15mm, LENGTH: 200mm			-----	DIN RAIL T2		1				
				SHUTTER AND CABLE GLAND			SCHNEIDER ELECTRIC	NSYMEWGL		1				
D											D			
						PART LIST		CELLEAN OFFER						
										QGH9358003 Project - No commande Project - Order No.				
00	27/01/2017	Edition originale / First issue										Indice Rev 00	Folio Sheet 007	
Ind. Rev	Date	Modification /	Modification	Archiv. Micro-filmed	Ind. Rev	Date	Modification /	Modification	Archiv. Micro-filmed					