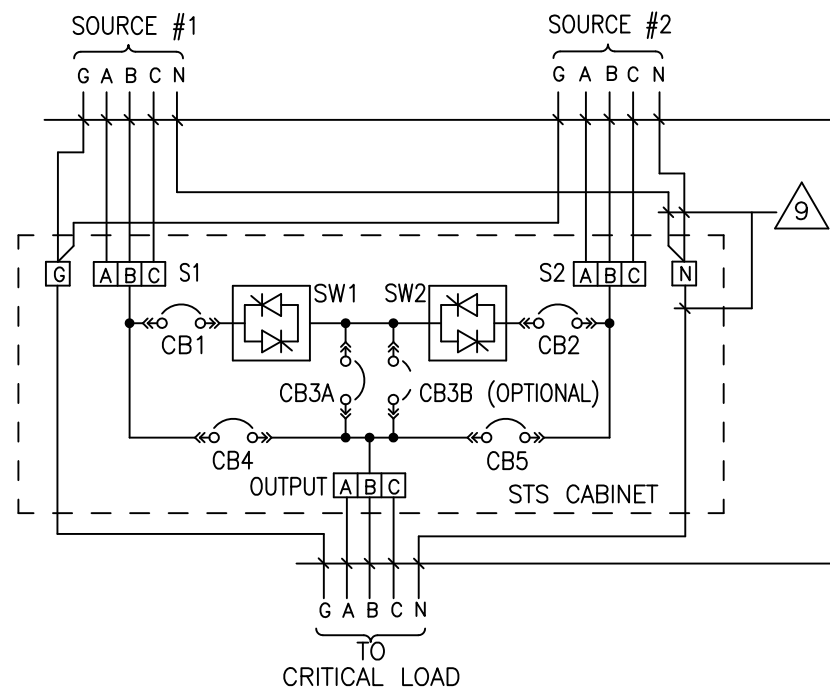


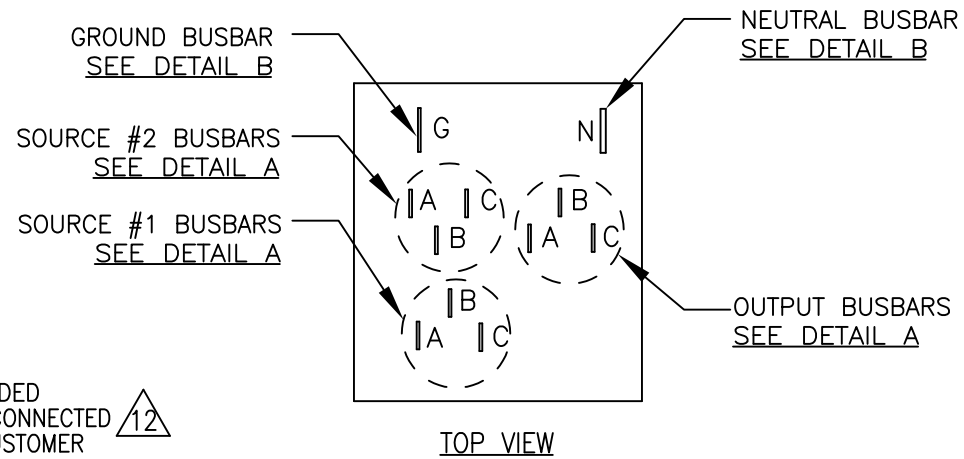
WEIGHT/HEAT REJECTION AT RATED CURRENT

STS RATING (AMP) ¹³	WT. (LBS)	BTU/HR ⁴
200	910	5,600

SINGLE LINE DIAGRAM

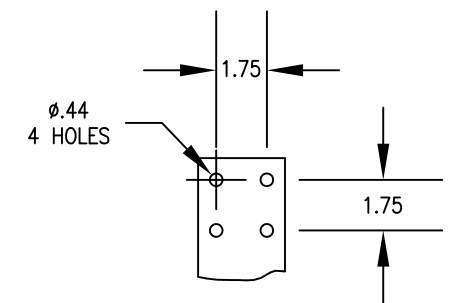
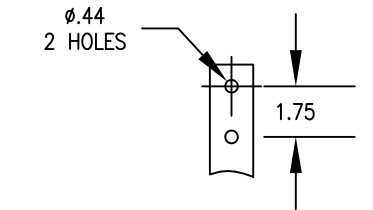
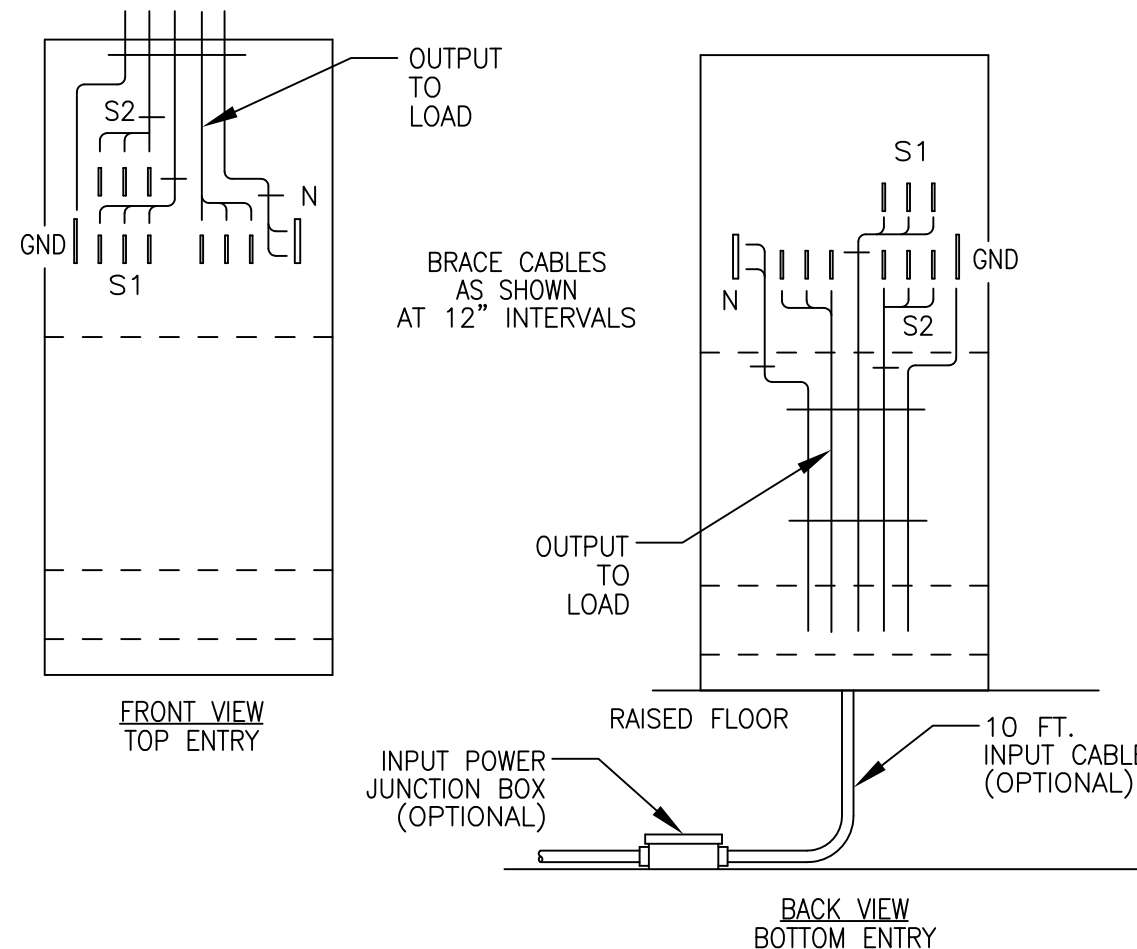


PROVIDED AND CONNECTED BY CUSTOMER ¹²



INPUT/OUTPUT POWER CONNECTIONS RECOMMENDED

PHASE	# OF CABLES PER		MIN. CABLE SIZE (75°C CU)	CABLE LUG (SUPPLIED)	CONDUIT HOLE DIA. (QTY.)
	N	GND			
1	2	1	#4/0 AWG	#4/0, 3/8" STUD	2 1/2" (3)



¹³ AT ALL STS RATED VOLTAGES.

¹² USE SEPARATE CONDUITS FOR EACH SOURCE INPUT & OUTPUT.

11. STS SWITCHES STANDARD, CIRCUIT BRACKERS OPTIONAL.

10. WHEN MAKING INPUT CONNECTIONS, MAKE SURE THAT THE EXISTING CONTROL WIRING ARE KEPT IN PLACE.

⁹ IF USED, CONNECT NEUTRAL CABLES AS SHOWN.

8. IF OPTIONAL J-BOX IS SUPPLIED, REFER TO REPARATE INSTALLATION DRAWINGS.

7. ALL CABLE CONNECTIONS ARE BASED ON CUSTOMER SUPPLIED COPPER WIRE RATED 75°.

⁶ CUSTOMER TO REMOVE AND CUT HOLES IN CONDUIT PLATE AS REQUIRED.

5. FOLLOW THE NEC (NATIONAL ELECTRICAL CODE) AND OTHER APPLICABLE LOCAL CODES.

⁴ HEAT LOSS: BASED ON FULL RESITIVE LOAD, CAN VARY +/-10% UNDER DIFFERENT LOAD CONDITIONS.

3. 36 INCHES FRONT CLEARANCE FRO MAINTENANCE.

2. REFER TO OWNER MANUAL FOR INSTALLATION AND OPERATING INSTRUCTIONS.

1. COLOR LIGHT GREY (TIGER DRYLAC: 249/12170)

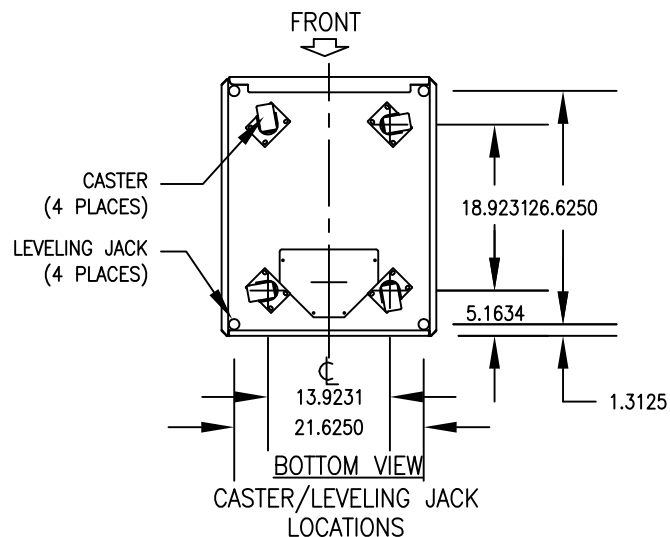
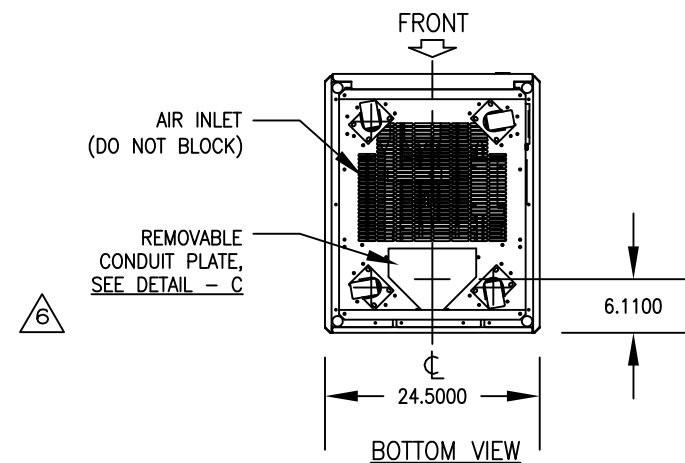
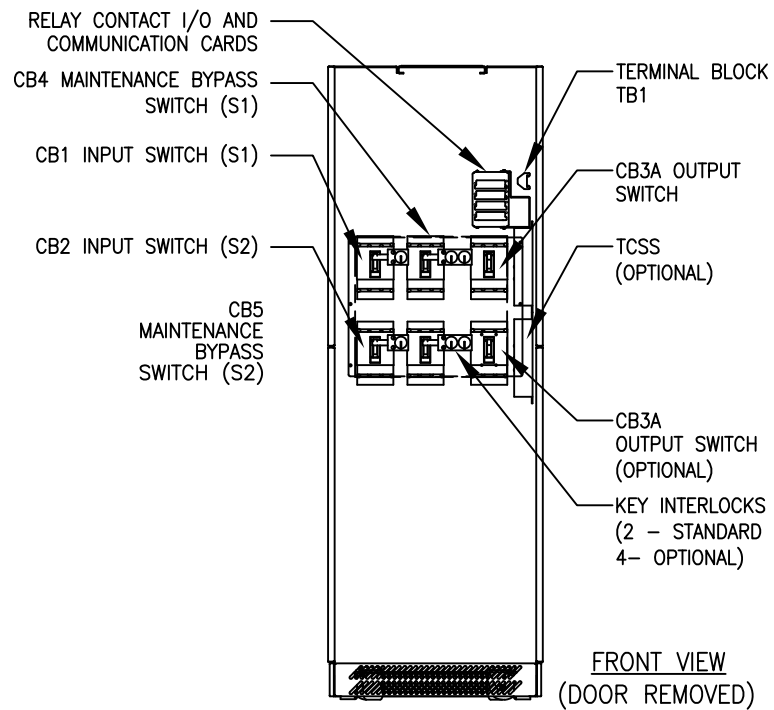
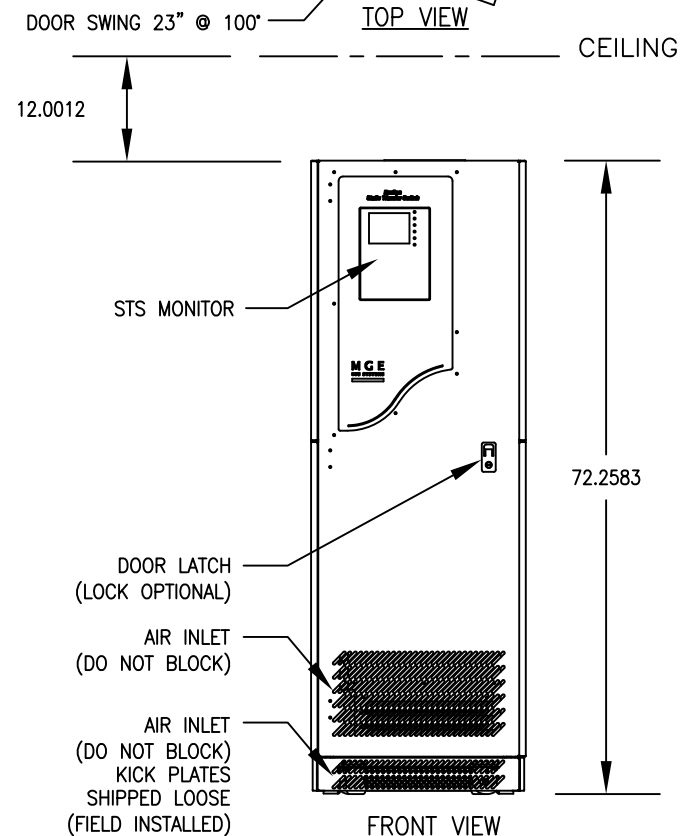
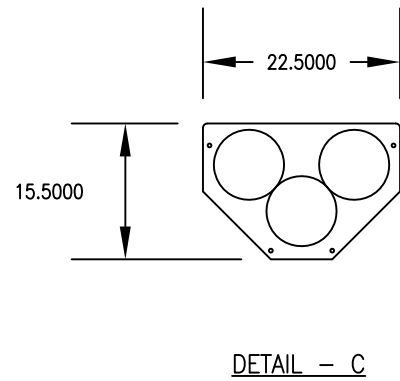
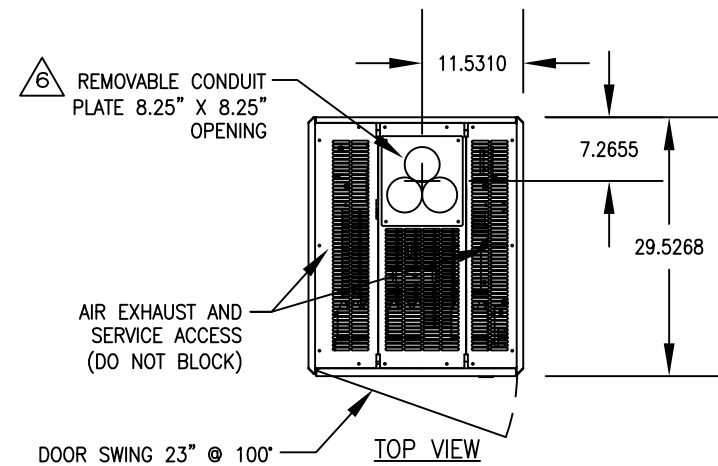
NOTES: UNLESS OTHERWISE SPECIFIED.

THIS DRAWING AND SPECIFICATIONS HEREIN ARE THE PROPERTY OF SCHNEIDER ELECTRIC AND SHALL NOT BE COPIED, REPRODUCED OR USED IN WHOLE OR IN PART, AS THE BASIS FOR THE MANUFACTURE OR SALE OF ITEMS WITHOUT WRITTEN PERMISSION FROM SCHNEIDER ELECTRIC. THIS DRAWING IS BASED UPON LATEST AVAILABLE INFORMATION AND IS SUBJECT TO CHANGE WITHOUT NOTICE.

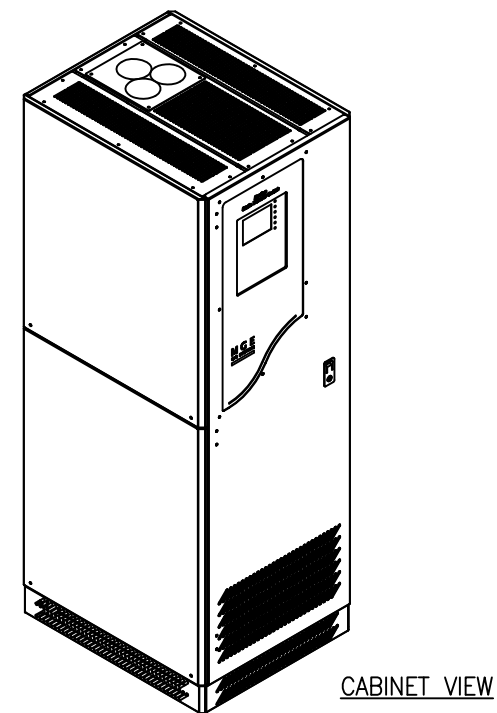
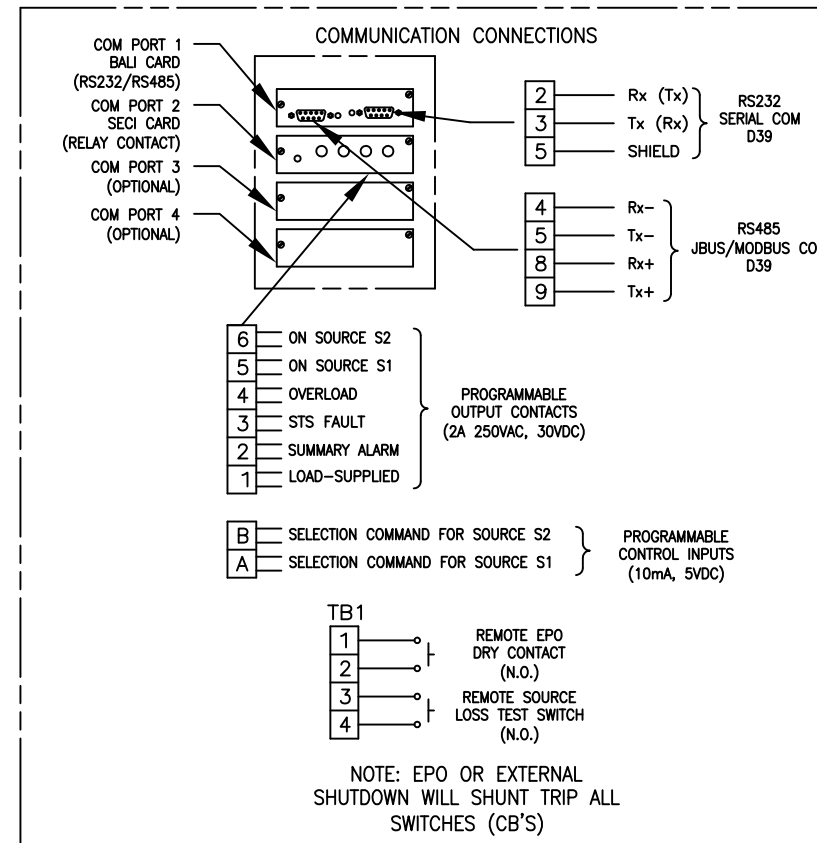


TITLE: MGE POWER MANAGEMENT MODULE
200A STS
INTERNAL VIEWS
INSTALLATION DRAWING
PROJECT: STD SUBMITTAL DRAWINGS SHEET 1 OF 3

DWG NO: 90-504020-00
REV: A01
DRAWN: H DO 09-JAN-02
ENGINEER: P HING/J CHEN 10-JAN-02
APPROVED: I KENNEDY 10-JAN-02
THIRD ANGLE PROJ



STS CONTROL CONNECTIONS



NOTES: UNLESS OTHERWISE SPECIFIED

1. FOR SEISMIC INSTALLATION, UNIT IS SHIPPED WITH CASTERS REMOVED AND SEISMIC BRACKETS ATTACHED.

THIS DRAWING AND SPECIFICATIONS HEREIN ARE THE PROPERTY OF SCHNEIDER ELECTRIC AND SHALL NOT BE COPIED, REPRODUCED OR USED IN WHOLE OR IN PART, AS THE BASIS FOR THE MANUFACTURE OR SALE OF ITEMS WITHOUT WRITTEN PERMISSION FROM SCHNEIDER ELECTRIC. THIS DRAWING IS BASED UPON LATEST AVAILABLE INFORMATION AND IS SUBJECT TO CHANGE WITHOUT NOTICE.



TITLE: MGE POWER MANAGEMENT MODULE 200A STS MAIN MECHANICAL INSTALLATION DRAWING

PROJECT: STD SUBMITTAL DRAWINGS SHEET 2 OF 3

DWG NO: 90-504020-00

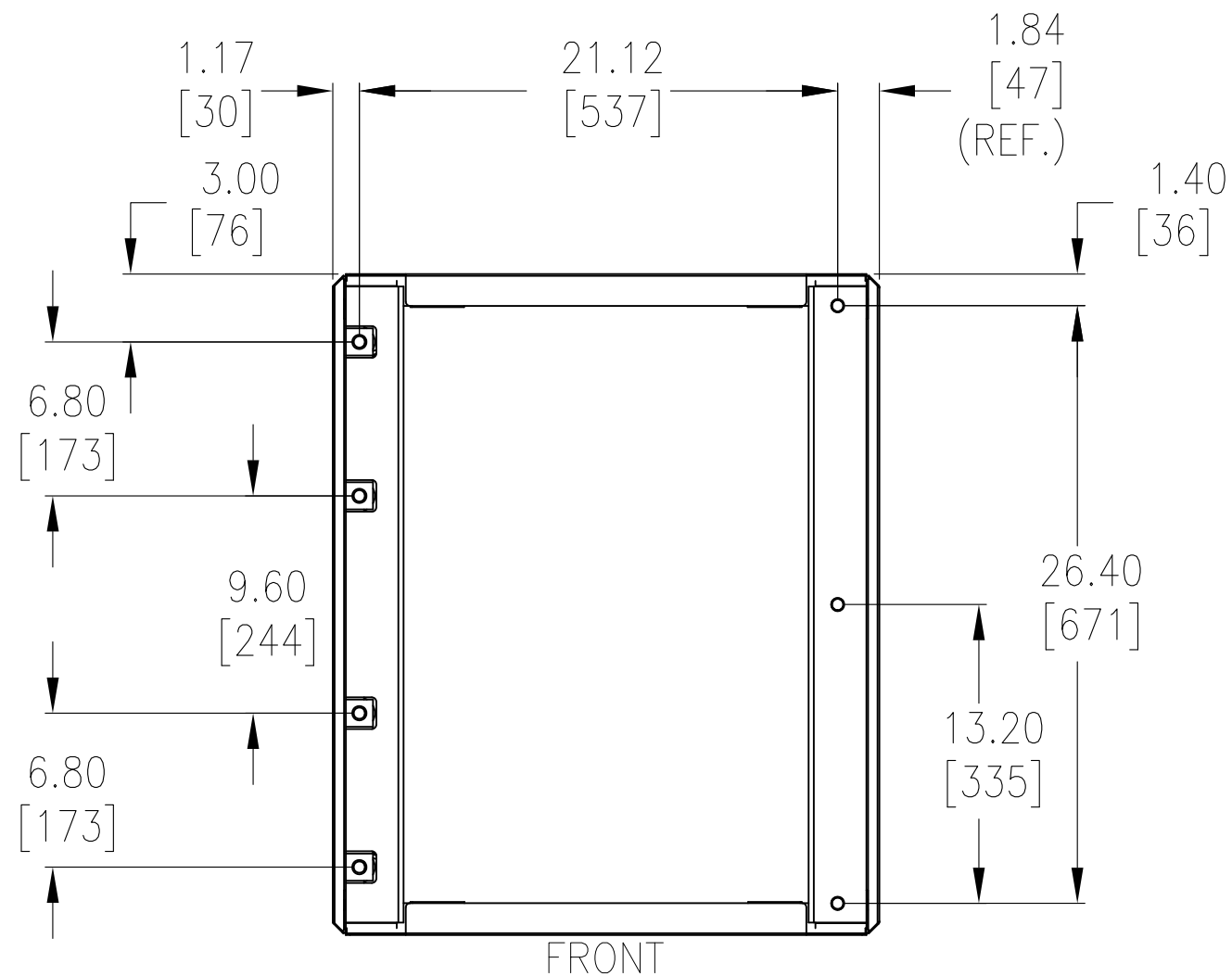
REV. 1

THIRD ANGLE PROJ

11-DEC-13

11-DEC-13

11-DEC-13



FRONT

STS, BASE TOP VIEW

SEISMIC ANCHORING

NOTES: UNLESS OTHERWISE SPECIFIED

1. INSTALLATION SHALL COMPLY WITH ALL APPLICABLE NATIONAL AND LOCAL CODES.
2. PLEASE REFER TO PRODUCT MANUALS FOR ADDITIONAL DETAILS.
3. UNLESS OTHERWISE SPECIFIED, ALL DIMENSIONS ARE IN INCHES [MILLIMETERS].
4. ALL DIMENSIONS ARE TO THE OUTSIDE EDGE OF CABINET, EXCLUDING DOOR LOCKS AND ALL HARDWARE.
5. ADDITIONAL CLEARANCE (BY CUSTOMER) DEPENDENT OF FLOOR ANCHORING HARDWARE SPECIFICATIONS.
6. FLOOR ANCHORING HARDWARE IS NOT PROVIDED. MINIMUM REQUIREMENT FOR STS CABINET 1/2", 5-GRADE HARDWARE.
7. SEISMIC QUALIFICATION OF NON-STRUCTURAL COMPONENT BY SCHNEIDER ELECTRIC IS JUST ONE LINK IN THE TOTAL CHAIN OF RESPONSIBILITY REQUIRED TO MAXIMIZE THE PROBABILITY THAT THE EQUIPMENT WILL BE INTACT AND FUNCTIONAL AFTER A SEISMIC EVENT. DURING A SEISMIC EVENT THE EQUIPMENT MUST BE ABLE TO TRANSFER THE LOADS THAT ARE CREATED THROUGH THE MOUNTING AND ANCHORAGE TO THE LOAD-BEARING PATH OF THE BUILDING STRUCTURAL SYSTEM. ANCHORAGE OF THE EQUIPMENT TO THE PRIMARY BUILDING STRUCTURE IS REQUIRED TO VALIDATE THE SEISMIC CERTIFICATION. THE STRUCTURAL ENGINEER OR DESIGN ENGINEER OF RECORD IS RESPONSIBLE FOR DETAILING THE EQUIPMENT ANCHORAGE REQUIREMENTS FOR THE GIVEN INSTALLATION. THE INSTALLER AND MANUFACTURERS OF THE ANCHORAGE SYSTEM ARE RESPONSIBLE FOR ASSURING THAT THE MOUNTING REQUIREMENTS ARE MET. SCHNEIDER ELECTRIC IS NOT RESPONSIBLE FOR THE SPECIFICATION AND PERFORMANCE OF THE ANCHORAGE SYSTEMS.

REFERENCE P/N

DESCRIPTION	KIT NUMBER	QTY.
STS	OH-0638	1

SEISMIC INSTALLATION ONLY

THIS DRAWING AND SPECIFICATIONS HEREIN ARE THE PROPERTY OF SCHNEIDER ELECTRIC AND SHALL NOT BE COPIED, REPRODUCED OR USED IN WHOLE OR IN PART, AS THE BASIS FOR THE MANUFACTURE OR SALE OF ITEMS WITHOUT WRITTEN PERMISSION FROM SCHNEIDER ELECTRIC. THIS DRAWING IS BASED UPON LATEST AVAILABLE INFORMATION AND IS SUBJECT TO CHANGE WITHOUT NOTICE.



TITLE:	MGE POWER MANAGEMENT MODULE 200A STS SEISMIC ANCHORING CONFIGURATION INSTALLATION DRAWING	DWG NO:	90-504020-00	REV:	0
PROJECT:	STD SUBMITTAL DRAWINGS SHEET 3 OF 3	DRAWN:	S CUNHA	11-DEC-13	THIRD ANGLE PROJ
		ENGINEER:	C PARENTI	11-DEC-13	
		APPROVED:	J GOOSSEFF/S KRISHNARAJ	11-DEC-13	