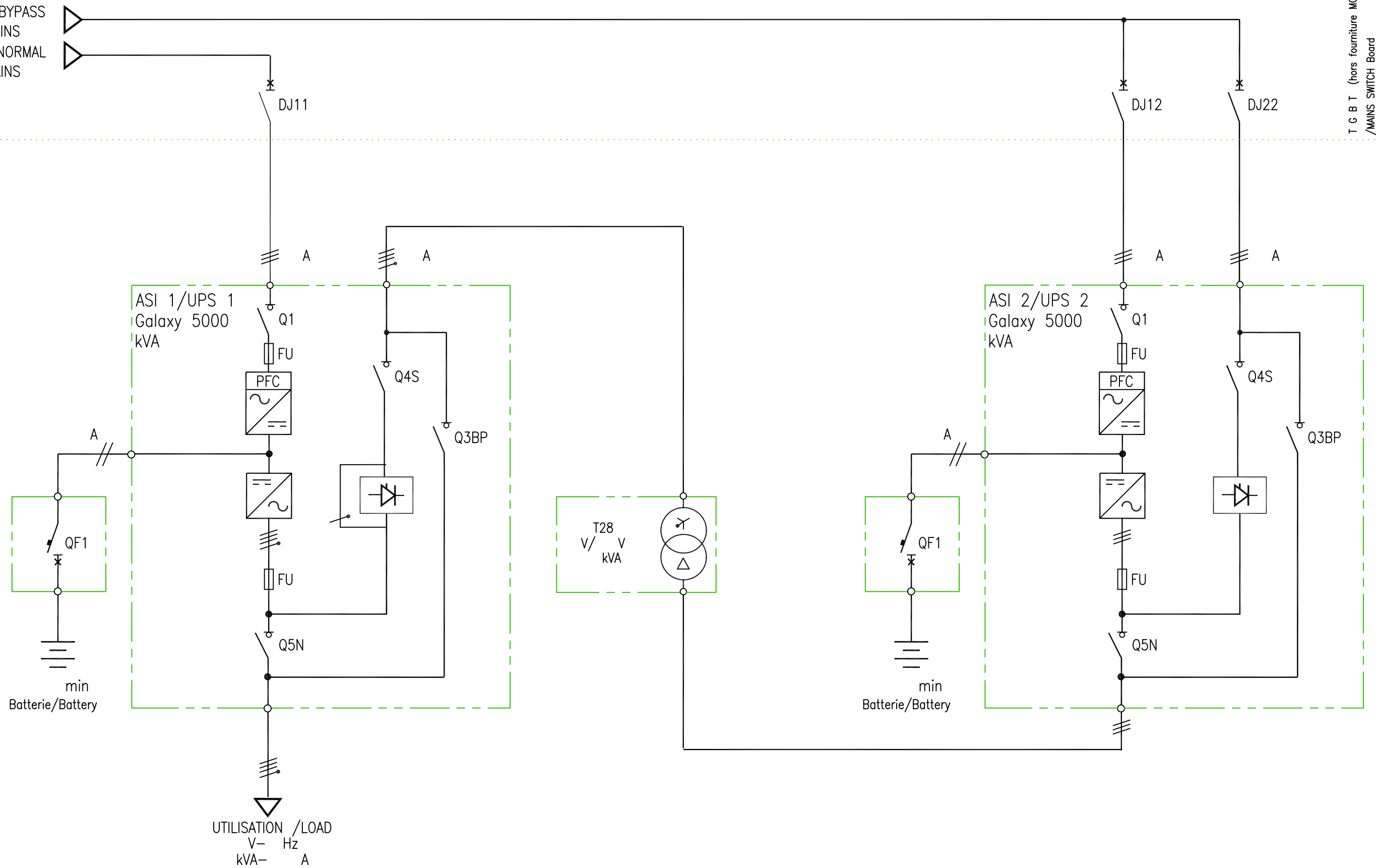


RESEAU AC BYPASS
/BYPASS MAINS
RESEAU AC NORMAL
/NORMAL MAINS

T G B T (hors fourniture MGE)
/MAINS SWITCH Board
(not included in the scope of supply)



NOTES:

1. INSTALLATION SHALL COMPLY WITH ALL APPLICABLE NATIONAL STATE AND LOCAL CODES.
2. PLEASE REFER TO PRODUCT DOCUMENTATION FOR FURTHER INFORMATION.
3. DRAWING DEPICTS POWER SYSTEM CONNECTIONS AND IS NOT REPRESENTATIVE OF PHYSICAL LAYOUT. PLEASE REFER TO MECHANICAL DRAWINGS FOR MORE SPECIFIC PHYSICAL DATA.

THIS DRAWING AND SPECIFICATIONS HEREIN ARE THE PROPERTY OF SCHNEIDER ELECTRIC AND SHALL NOT BE COPIED, REPRODUCED OR USED IN WHOLE OR IN PART, AS THE BASIS FOR THE MANUFACTURE OR SALE OF ITEMS WITHOUT WRITTEN PERMISSION FROM SCHNEIDER ELECTRIC. THIS DRAWING IS BASED UPON LATEST AVAILABLE INFORMATION AND IS SUBJECT TO CHANGE WITHOUT NOTICE.



TITLE: MGE GALAXY 5000
20 - 120 kVA
HOT STANDBY UPS + TFO + BATTERY
ONE LINE DIAGRAM
PROJECT: SUBMITTAL DRAWINGS SHEET 1 OF 1

DWG NO: G5KRS011BA
DRAWN: Pascal Chapuis 12-JUL-10
ENGINEER: Pascal Chapuis 12-JUL-10
APPROVED: Pascal Chapuis 12-JUL-10

REV. 1
PROJ. ANGLE N/A