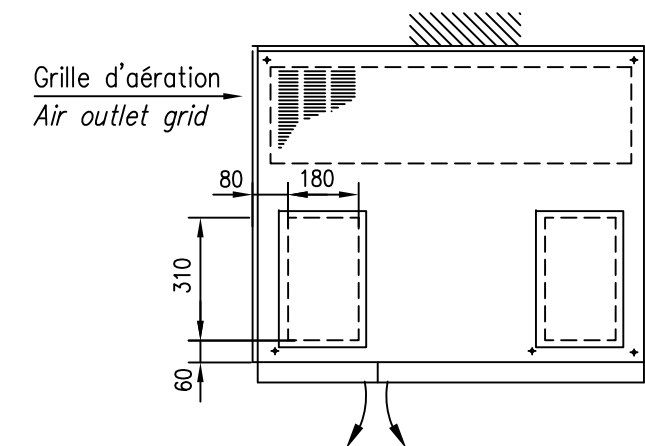


VUE de DESSUS
TOP VIEW



DEGRE DE PROTECTION : IP20 IK7

PROTECTION LEVEL : IP20 IK7

---	/ ---	---
MASSE en kg	/WEIGHT (Kg)	280
CHARGE AU SOL	/FLOOR LOAD (Kg/m ²)	---
PERTES A EVACUER	/HEAT LOSSES (kW)	< 0.5

NOTES:

1. INSTALLATION SHALL COMPLY WITH ALL APPLICABLE NATIONAL STATE AND LOCAL CODES.
2. PLEASE REFER TO PRODUCT DOCUMENTATION FOR FURTHER INFORMATION.
3. UNLESS OTHERWISE SPECIFIED, ALL DIMENSIONS ARE IN MILLIMETERS.

THIS DRAWING AND SPECIFICATIONS HEREIN ARE THE PROPERTY OF SCHNEIDER ELECTRIC AND SHALL NOT BE COPIED, REPRODUCED OR USED IN WHOLE OR IN PART, AS THE BASIS FOR THE MANUFACTURE OR SALE OF ITEMS WITHOUT WRITTEN PERMISSION FROM SCHNEIDER ELECTRIC. THIS DRAWING IS BASED UPON LATEST AVAILABLE INFORMATION AND IS SUBJECT TO CHANGE WITHOUT NOTICE.



TITLE:
MGE GALAXY 5000
BYPASS 600 kVA
MECHANICAL DIAGRAM

PROJECT: SUBMITTAL DRAWINGS SHEET 1 OF 1

DWG NO: G5KEMB_600A

DRAWN:	Pascal Chapuis	12-JUL-10
ENGINEER:	Pascal Chapuis	12-JUL-10
APPROVED:	Pascal Chapuis	12-JUL-10

REV. 1
FIRST ANGLE PROJECTION