

DEGRE DE PROTECTION : IP 20 IK7  
PROTECTION LEVEL : IP20 IK7

**LOCAL ONDULEUR**

TEMPERATURE DE FONCTIONNEMENT : DE 0° A 35° C (MOYENNE JOURNALIERE)  
VALEUR MAXIMALE SUR 8H : 40° C

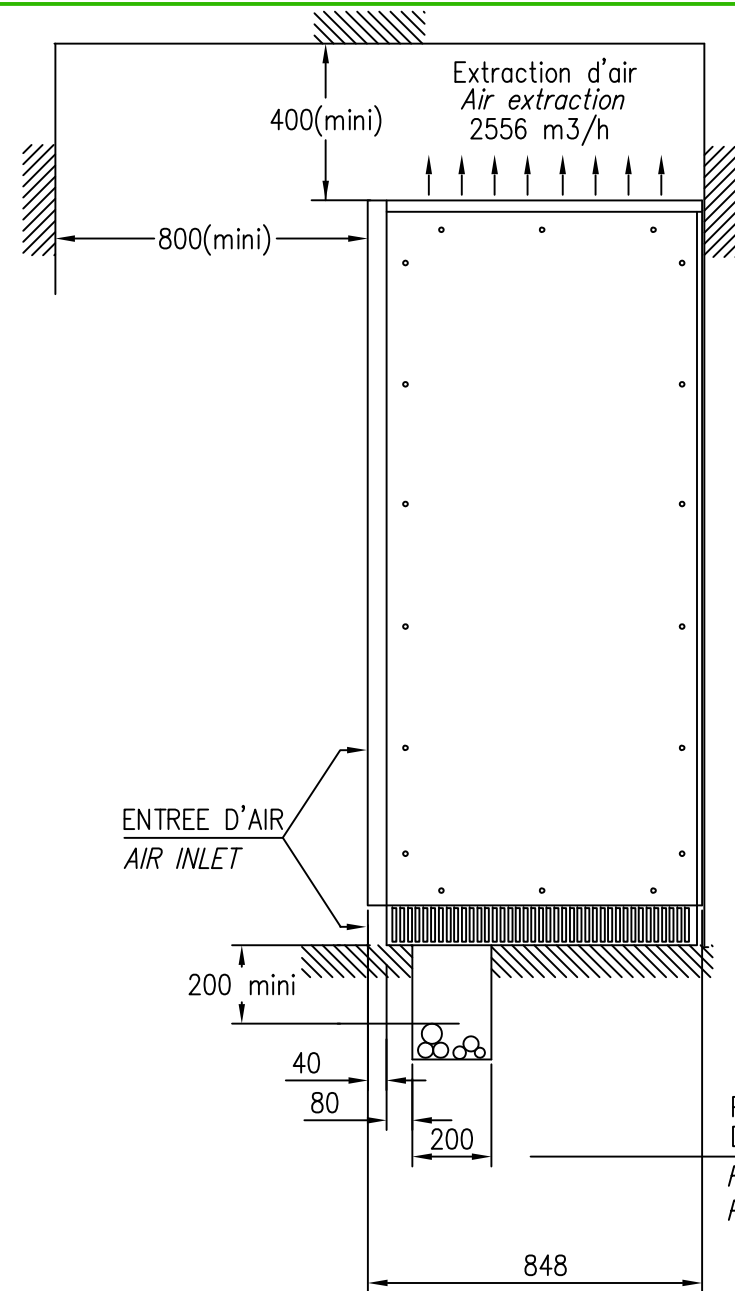
**INVERTER ROOM**

OPERATING TEMPERATURE RANGE : 0° TO 35° C (daily mean)  
NORMAL VALUE OVER 8 HOURS : 40° C

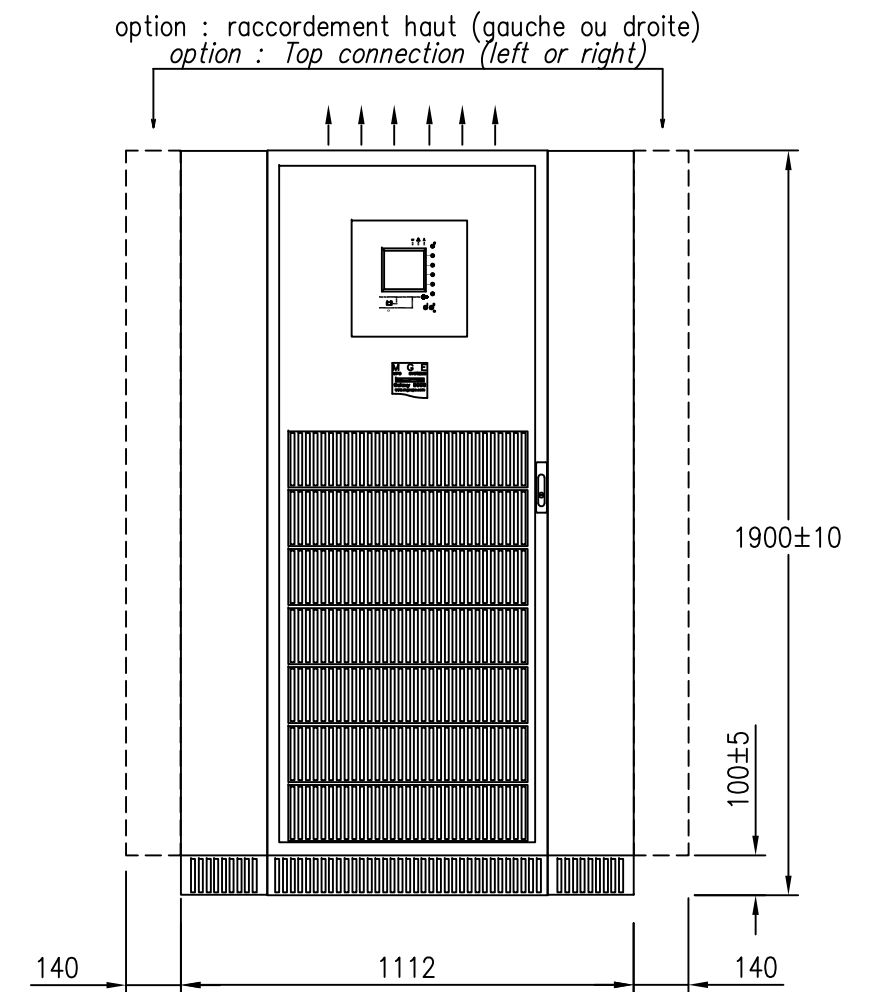
		Option Raccordement Haut Option Top Connection	SANS WITHOUT	AVEC WITH
MASSE en kg WEIGHT (kg) (kW)	SANS Batterie WITHOUT Battery		590	660
	Batterie = 5 min Battery = 5 min		1120	1190
PERTES A EVACUER /HEAT LOSSES	S = 100%		5.3	
	S = 50%		3.6	

**NOTES:**

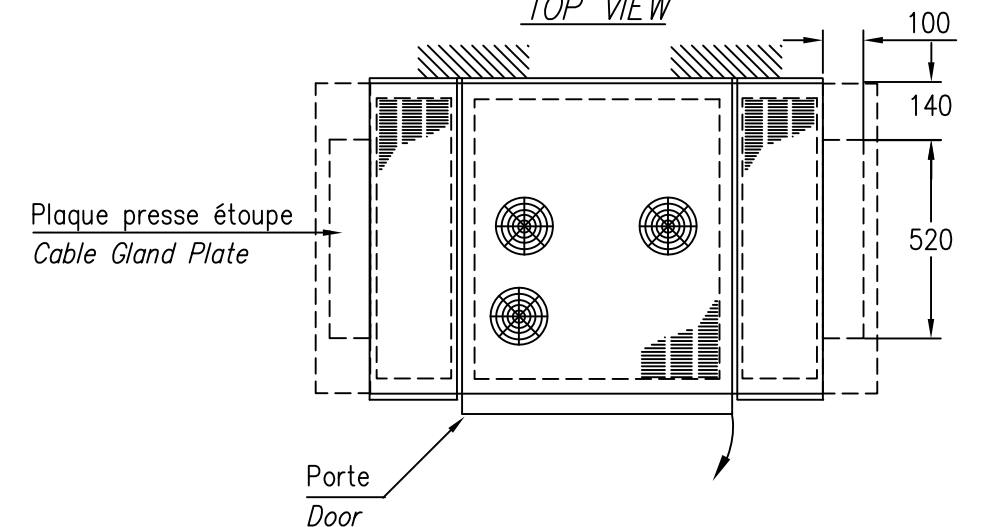
1. INSTALLATION SHALL COMPLY WITH ALL APPLICABLE NATIONAL STATE AND LOCAL CODES.
2. PLEASE REFER TO PRODUCT DOCUMENTATION FOR FURTHER INFORMATION.
3. UNLESS OTHERWISE SPECIFIED, ALL DIMENSIONS ARE IN MILLIMETERS.



POSITION RECOMMANDEE  
DU CANIVEAU (Eventuel)  
RECOMMENDED TRENCH  
POSITION (if applicable)



**VUE de DESSUS  
TOP VIEW**



THIS DRAWING AND SPECIFICATIONS HEREIN ARE THE PROPERTY OF SCHNEIDER ELECTRIC AND SHALL NOT BE COPIED, REPRODUCED OR USED IN WHOLE OR IN PART, AS THE BASIS FOR THE MANUFACTURE OR SALE OF ITEMS WITHOUT WRITTEN PERMISSION FROM SCHNEIDER ELECTRIC. THIS DRAWING IS BASED UPON LATEST AVAILABLE INFORMATION AND IS SUBJECT TO CHANGE WITHOUT NOTICE.



TITLE: MGE GALAXY 5000  
80 kVA + INTERNAL BATTERY  
MECHANICAL DIAGRAM  
PROJECT: SUBMITTAL DRAWINGS SHEET 1 OF 1

DWG NO: G5KEMA\_80B  
DRAWN: Pascal Chapuis 12-JUL-10  
ENGINEER: Pascal Chapuis 12-JUL-10  
APPROVED: Pascal Chapuis 12-JUL-10

REV. 1  
FIRST ANGLE PROJECTION