

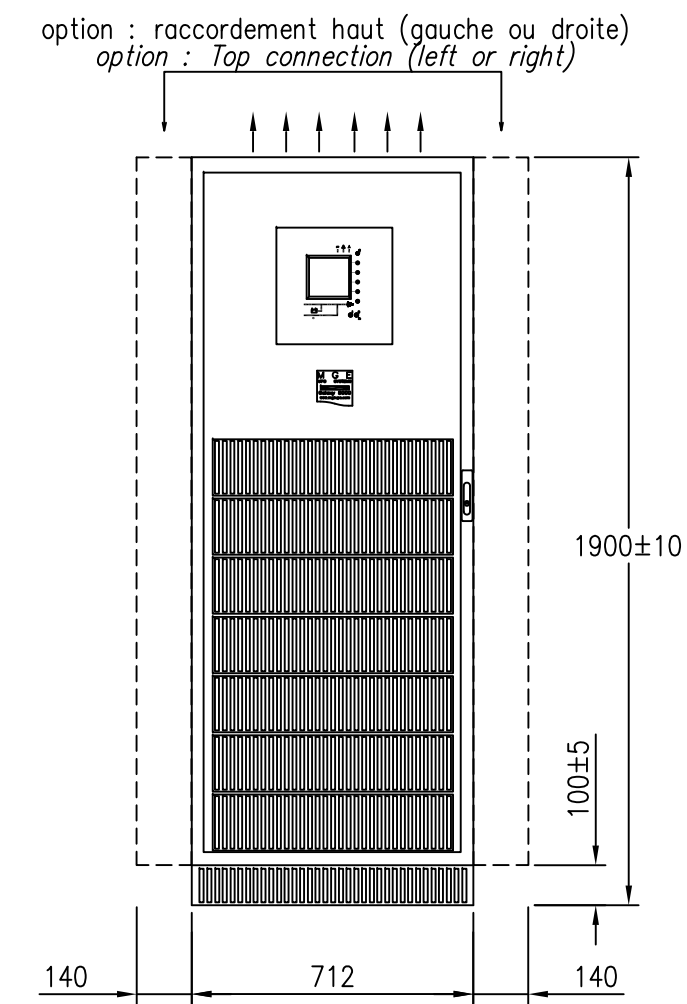
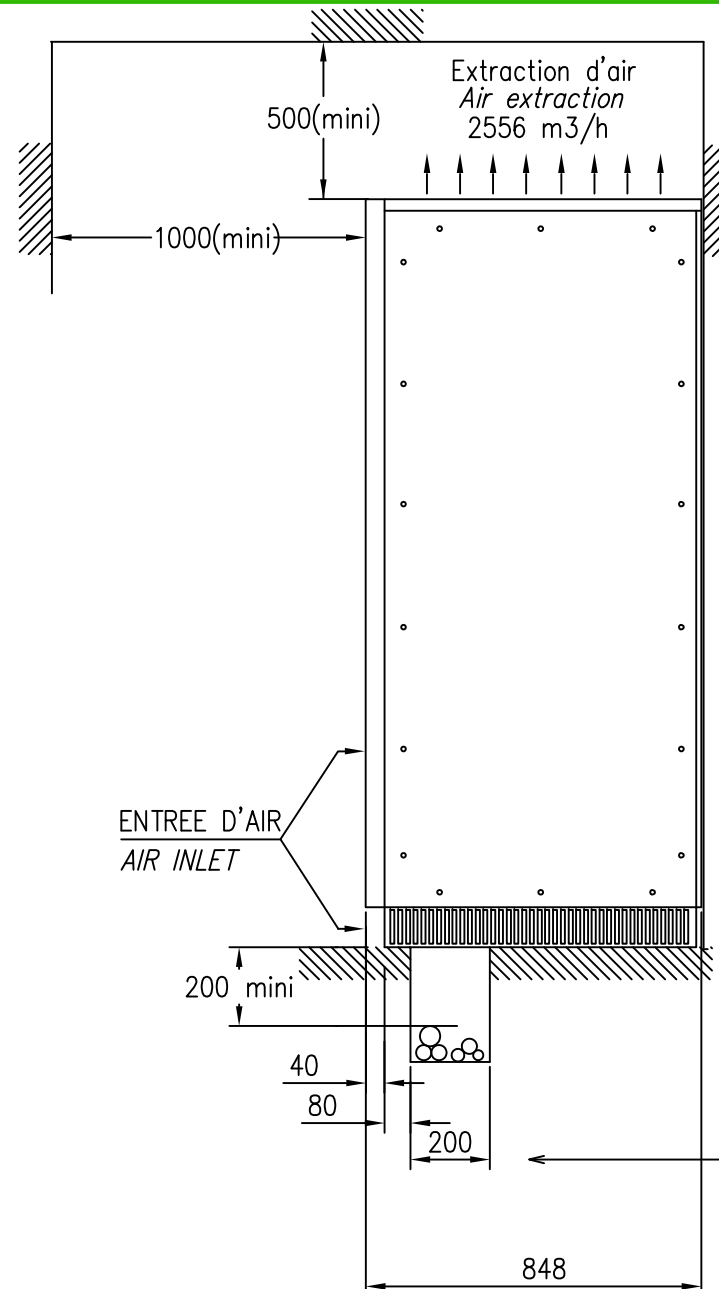
DEGRE DE PROTECTION : IP 20 IK7
PROTECTION LEVEL : IP20 IK7

LOCAL ONDULEUR

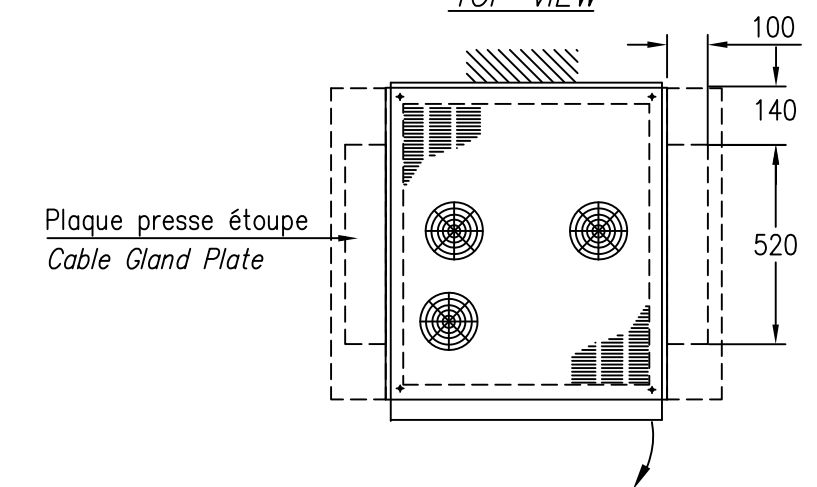
TEMPERATURE DE FONCTIONNEMENT : DE 0° A 35° C (MOYENNE JOURNALIERE)
VALEUR MAXIMALE SUR 8H : 40° C

INVERTER ROOM

OPERATING TEMPERATURE RANGE : 0° TO 35° C (daily mean)
NORMAL VALUE OVER 8 HOURS : 40° C



VUE de DESSUS
TOP VIEW



PUISSANCE /POWER		80 kVA
MASSE en kg WEIGHT (Kg)	sans Batterie et sans gaine without Battery and without top connection	520
	sans Batterie et avec gaine without Battery and with top connection	590
PERTES A EVACUER (kW) /HEAT LOSSES	S = 100%	5.3
	S = 50%	3.6

NOTES:

1. INSTALLATION SHALL COMPLY WITH ALL APPLICABLE NATIONAL STATE AND LOCAL CODES.
2. PLEASE REFER TO PRODUCT DOCUMENTATION FOR FURTHER INFORMATION.
3. UNLESS OTHERWISE SPECIFIED, ALL DIMENSIONS ARE IN MILLIMETERS.

THIS DRAWING AND SPECIFICATIONS HEREIN ARE THE PROPERTY OF SCHNEIDER ELECTRIC AND SHALL NOT BE COPIED, REPRODUCED OR USED IN WHOLE OR IN PART, AS THE BASIS FOR THE MANUFACTURE OR SALE OF ITEMS WITHOUT WRITTEN PERMISSION FROM SCHNEIDER ELECTRIC. THIS DRAWING IS BASED UPON LATEST AVAILABLE INFORMATION AND IS SUBJECT TO CHANGE WITHOUT NOTICE.



TITLE:
MGE GALAXY 5000
80 kVA MECHANICAL DIAGRAM

PROJECT: SUBMITTAL DRAWINGS SHEET 1 OF 1

DWG NO: G5KEMA_80A

DRAWN: Pascal Chapuis 12-JUL-10
ENGINEER: Pascal Chapuis 12-JUL-10
APPROVED: Pascal Chapuis 12-JUL-10

REV. 1
FIRST ANGLE PROJECTION