

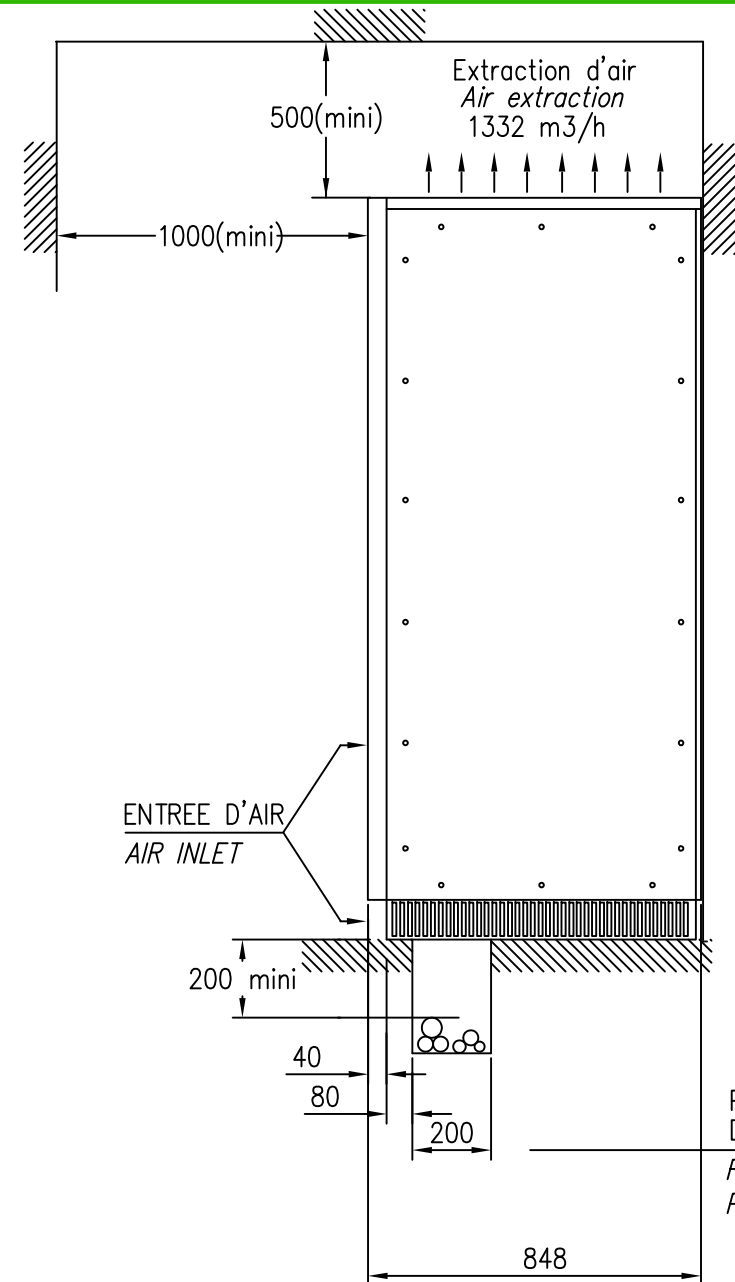
DEGRE DE PROTECTION : IP 20 IK7
PROTECTION LEVEL : IP20 IK7

LOCAL ONDULEUR

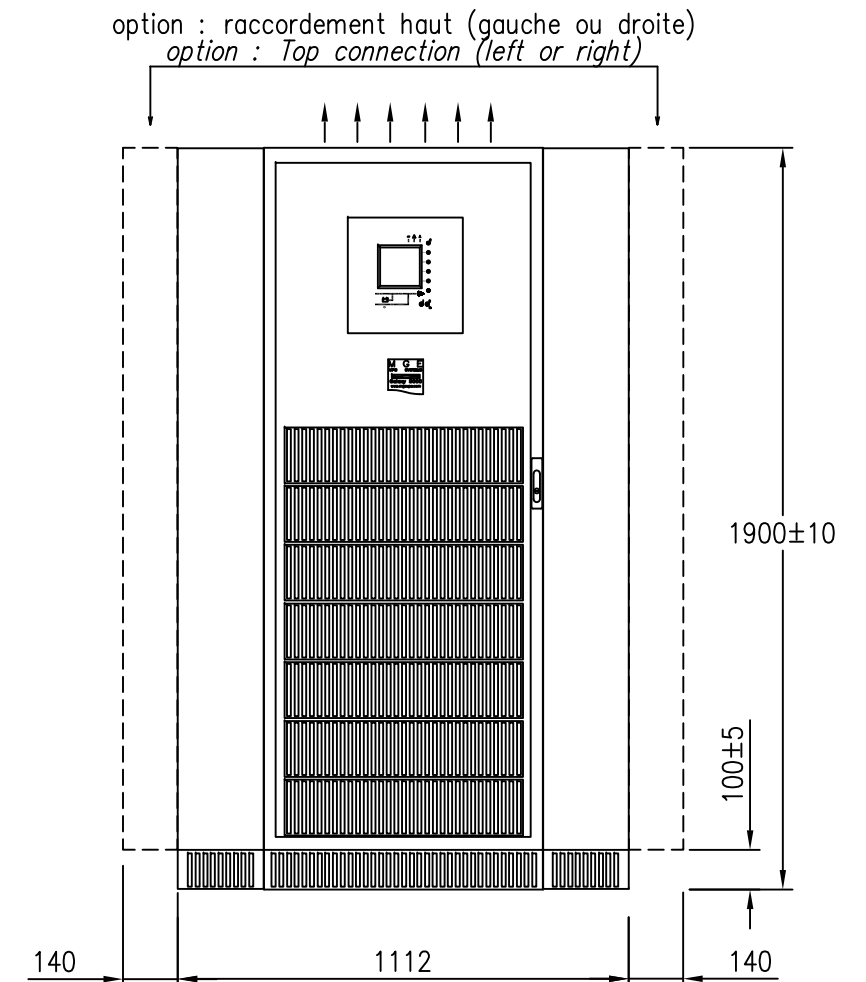
TEMPERATURE DE FONCTIONNEMENT : DE 0° A 35° C (MOYENNE JOURNALIERE)
VALEUR MAXIMALE SUR 8H : 40° C

INVERTER ROOM

OPERATING TEMPERATURE RANGE : 0° TO 35° C (daily mean)
NORMAL VALUE OVER 8 HOURS : 40° C



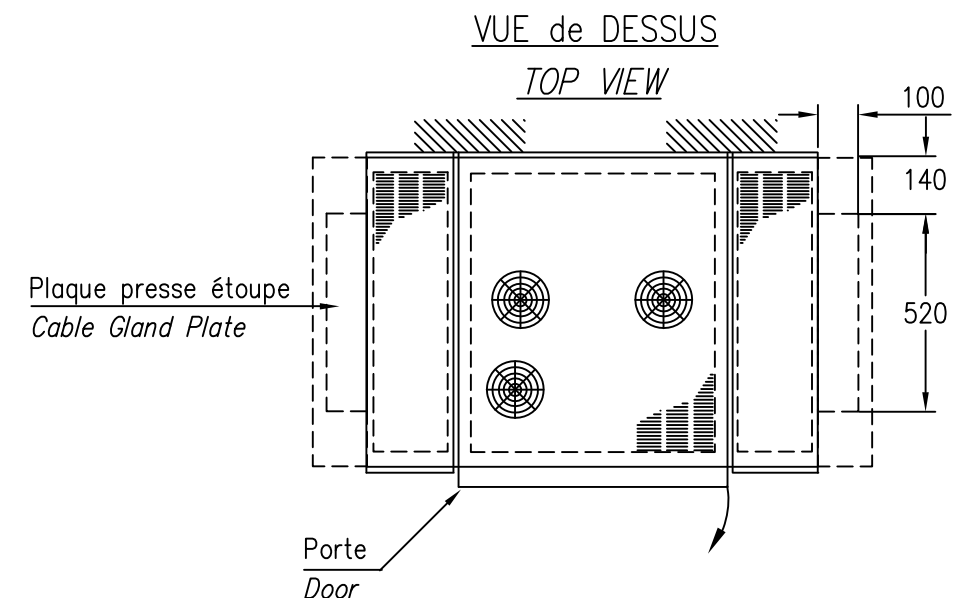
POSITION RECOMMANDEE
DU CANIVEAU (Eventuel)
RECOMMENDED TRENCH
POSITION (if applicable)



		Option Raccordement Haut Option Top Connection	SANS WITHOUT	AVEC WITH
MASSE en kg WEIGHT (kg)	SANS Batterie WITHOUT Battery		470	540
	Batterie = 5 min Battery = 5 min		958	1028
	Batterie = 10 min Battery = 10 min		1045	1115
PERTES A EVACUER (kW) /HEAT LOSSES	S = 100%		4.7	
	S = 50%		3.0	

NOTES:

1. INSTALLATION SHALL COMPLY WITH ALL APPLICABLE NATIONAL STATE AND LOCAL CODES.
2. PLEASE REFER TO PRODUCT DOCUMENTATION FOR FURTHER INFORMATION.
3. UNLESS OTHERWISE SPECIFIED, ALL DIMENSIONS ARE IN MILLIMETERS.



THIS DRAWING AND SPECIFICATIONS HEREIN ARE THE PROPERTY OF SCHNEIDER ELECTRIC AND SHALL NOT BE COPIED, REPRODUCED OR USED IN WHOLE OR IN PART, AS THE BASIS FOR THE MANUFACTURE OR SALE OF ITEMS WITHOUT WRITTEN PERMISSION FROM SCHNEIDER ELECTRIC. THIS DRAWING IS BASED UPON LATEST AVAILABLE INFORMATION AND IS SUBJECT TO CHANGE WITHOUT NOTICE.



TITLE:
MGE GALAXY 5000
60 kVA + INTERNAL BATTERY
MECHANICAL DIAGRAM
PROJECT: SUBMITTAL DRAWINGS SHEET 1 OF 1

DWG NO: G5KEMA_60B
REV. 1
DRAWN: Pascal Chapuis 12-JUL-10
ENGINEER: Pascal Chapuis 12-JUL-10
APPROVED: Pascal Chapuis 12-JUL-10
FIRST ANGLE PROJECTION