

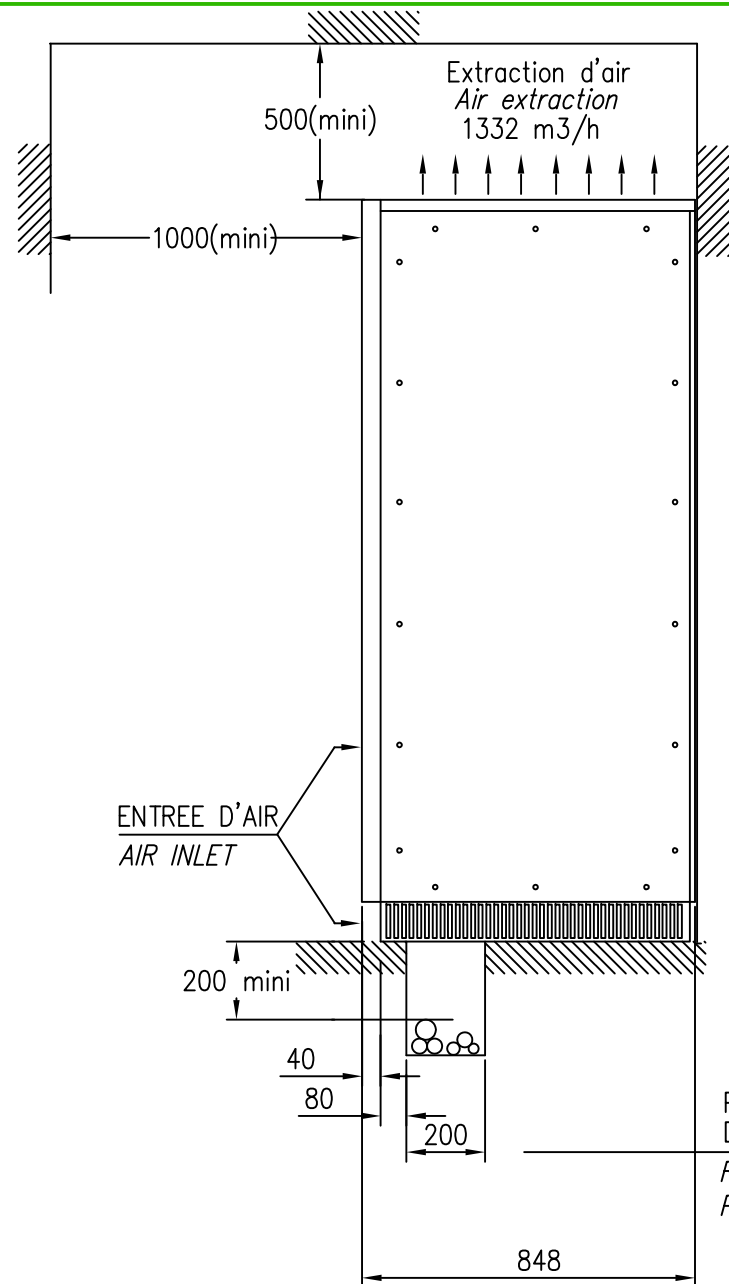
DEGRE DE PROTECTION : IP 20 IK7
PROTECTION LEVEL : IP20 IK7

LOCAL ONDULEUR

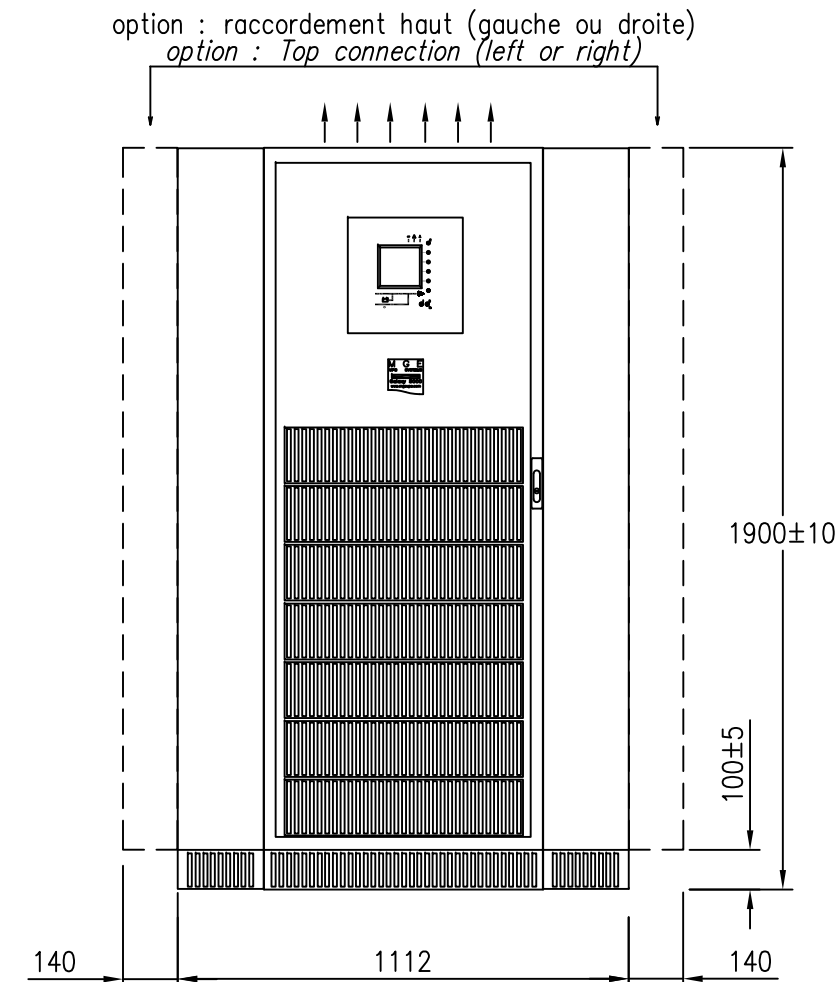
TEMPERATURE DE FONCTIONNEMENT : DE 0° A 35° C (MOYENNE JOURNALIERE)
VALEUR MAXIMALE SUR 8H : 40° C

INVERTER ROOM

OPERATING TEMPERATURE RANGE : 0° TO 35° C (daily mean)
NORMAL VALUE OVER 8 HOURS : 40° C



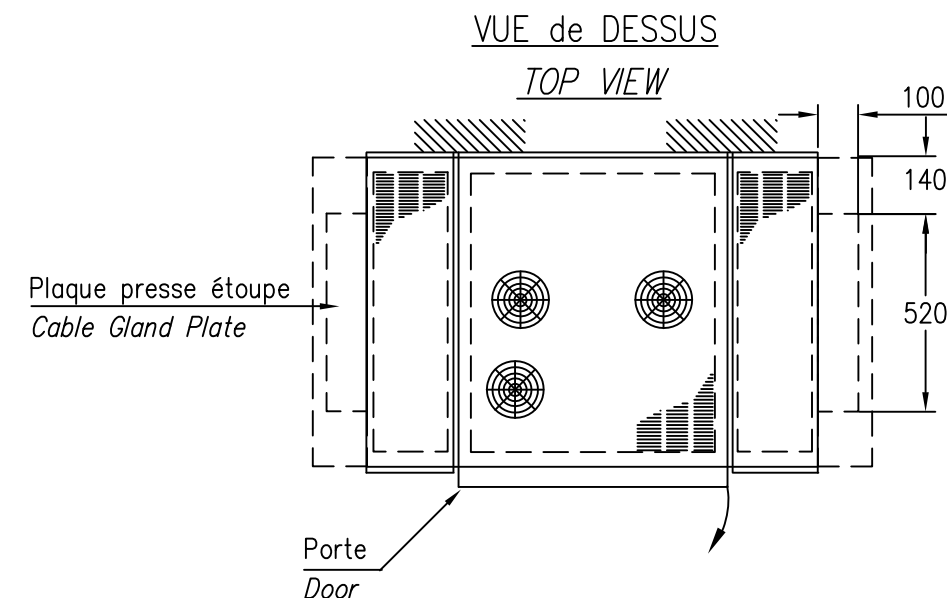
POSITION RECOMMANDEE
DU CANIVEAU (Eventuel)
RECOMMENDED TRENCH
POSITION (if applicable)



| | | Option Raccordement Haut Option Top Connection | SANS WITHOUT | AVEC WITH |
|--|----------|---|-----------------|--------------|
| MASSE en kg WEIGHT (kg) | | SANS Batterie WITHOUT Battery | 470 | 540 |
| | | Batterie = 5 min Battery = 5 min | 808 | 878 |
| | | Batterie = 10 min Battery = 10 min | 808 | 878 |
| | | Batterie = 15 min Battery = 15 min | 958 | 1028 |
| | | Batterie = 30 min Battery = 30 min | 1045 | 1115 |
| PERTES A EVACUER (kW) /HEAT LOSSES | S = 100% | | 3.0 | |
| | S = 50% | | 2.4 | |

NOTES:

1. INSTALLATION SHALL COMPLY WITH ALL APPLICABLE NATIONAL STATE AND LOCAL CODES.
2. PLEASE REFER TO PRODUCT DOCUMENTATION FOR FURTHER INFORMATION.
3. UNLESS OTHERWISE SPECIFIED, ALL DIMENSIONS ARE IN MILLIMETERS.



THIS DRAWING AND SPECIFICATIONS HEREIN ARE THE PROPERTY OF SCHNEIDER ELECTRIC AND SHALL NOT BE COPIED, REPRODUCED OR USED IN WHOLE OR IN PART, AS THE BASIS FOR THE MANUFACTURE OR SALE OF ITEMS WITHOUT WRITTEN PERMISSION FROM SCHNEIDER ELECTRIC. THIS DRAWING IS BASED UPON LATEST AVAILABLE INFORMATION AND IS SUBJECT TO CHANGE WITHOUT NOTICE.



TITLE:
MGE GALAXY 5000
30 kVA + INTERNAL BATTERY
MECHANICAL DIAGRAM
PROJECT: SUBMITTAL DRAWINGS SHEET 1 OF 1

DWG NO: G5KEMA_30B
DRAWN: Pascal Chapuis 12-JUL-10
ENGINEER: Pascal Chapuis 12-JUL-10
APPROVED: Pascal Chapuis 12-JUL-10

REV. 1
FIRST ANGLE PROJECTION