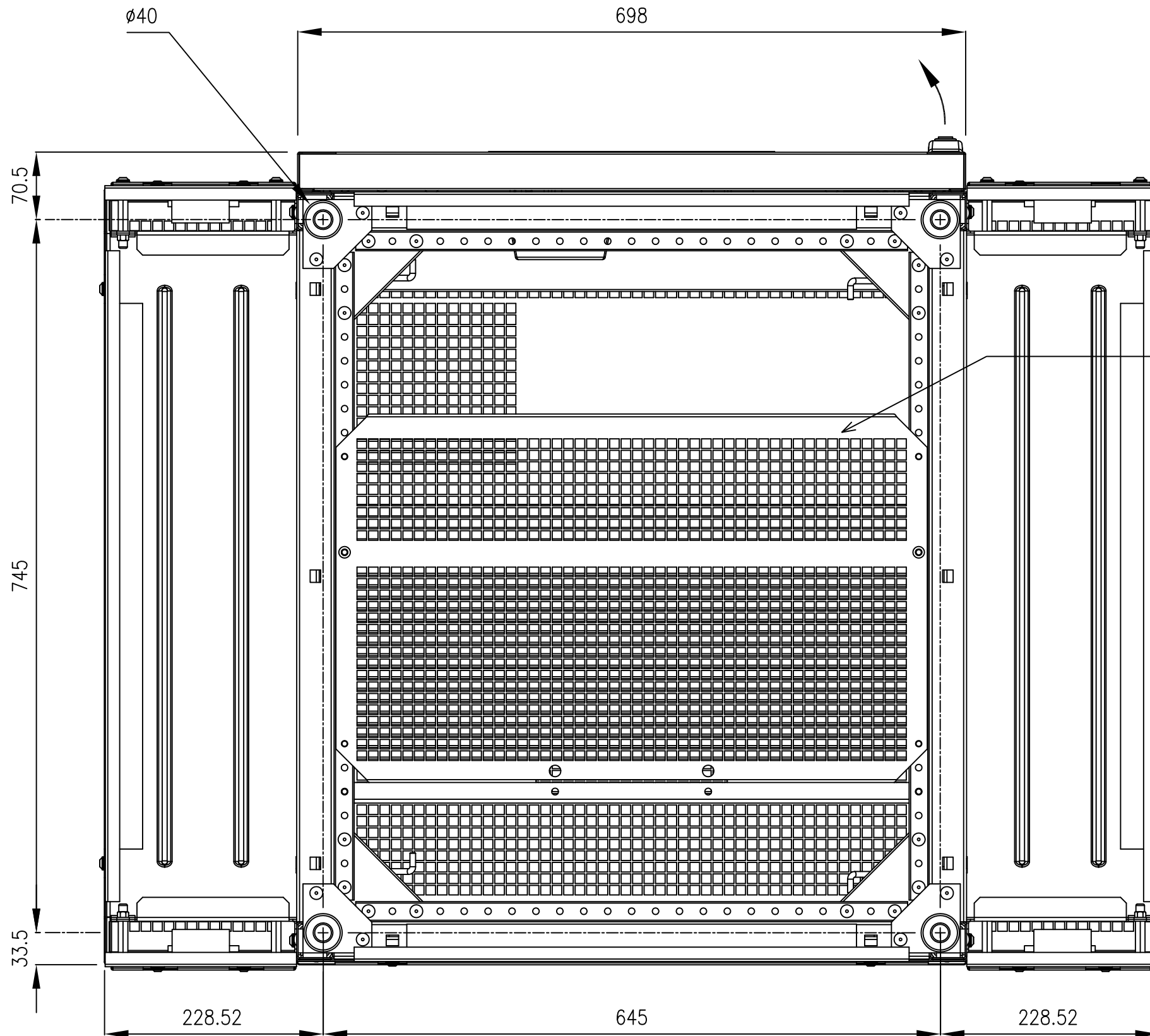
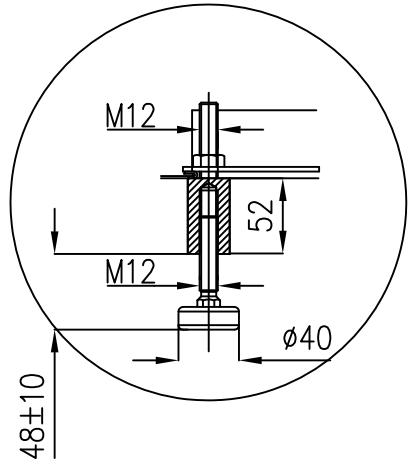


Réglage des vérins.
Foot setting.



Cette plaque n'est présente que sur l'ASI 20-60kVA
This panel is fixed under UPS 20-60kVA only

NOTES:

1. INSTALLATION SHALL COMPLY WITH ALL APPLICABLE NATIONAL STATE AND LOCAL CODES.
2. PLEASE REFER TO PRODUCT DOCUMENTATION FOR FURTHER INFORMATION.
3. UNLESS OTHERWISE SPECIFIED, ALL DIMENSIONS ARE IN MILLIMETERS.

THIS DRAWING AND SPECIFICATIONS HEREIN ARE THE PROPERTY OF SCHNEIDER ELECTRIC AND SHALL NOT BE COPIED, REPRODUCED OR USED IN WHOLE OR IN PART, AS THE BASIS FOR THE MANUFACTURE OR SALE OF ITEMS WITHOUT WRITTEN PERMISSION FROM SCHNEIDER ELECTRIC. THIS DRAWING IS BASED UPON LATEST AVAILABLE INFORMATION AND IS SUBJECT TO CHANGE WITHOUT NOTICE.



TITLE:	MGE GALAXY 5000 20 - 60 kVA FOOTPRINT + INTERNAL BATTERY MECHANICAL DIAGRAM	DWG NO:	G5K_EM1112_F	REV.	1
PROJECT:	SUBMITTAL DRAWINGS SHEET 1 OF 1	DRAWN:	Pascal Chapuis	12-JUL-10	N/A
		ENGINEER:	Pascal Chapuis	12-JUL-10	
		APPROVED:	Pascal Chapuis	12-JUL-10	