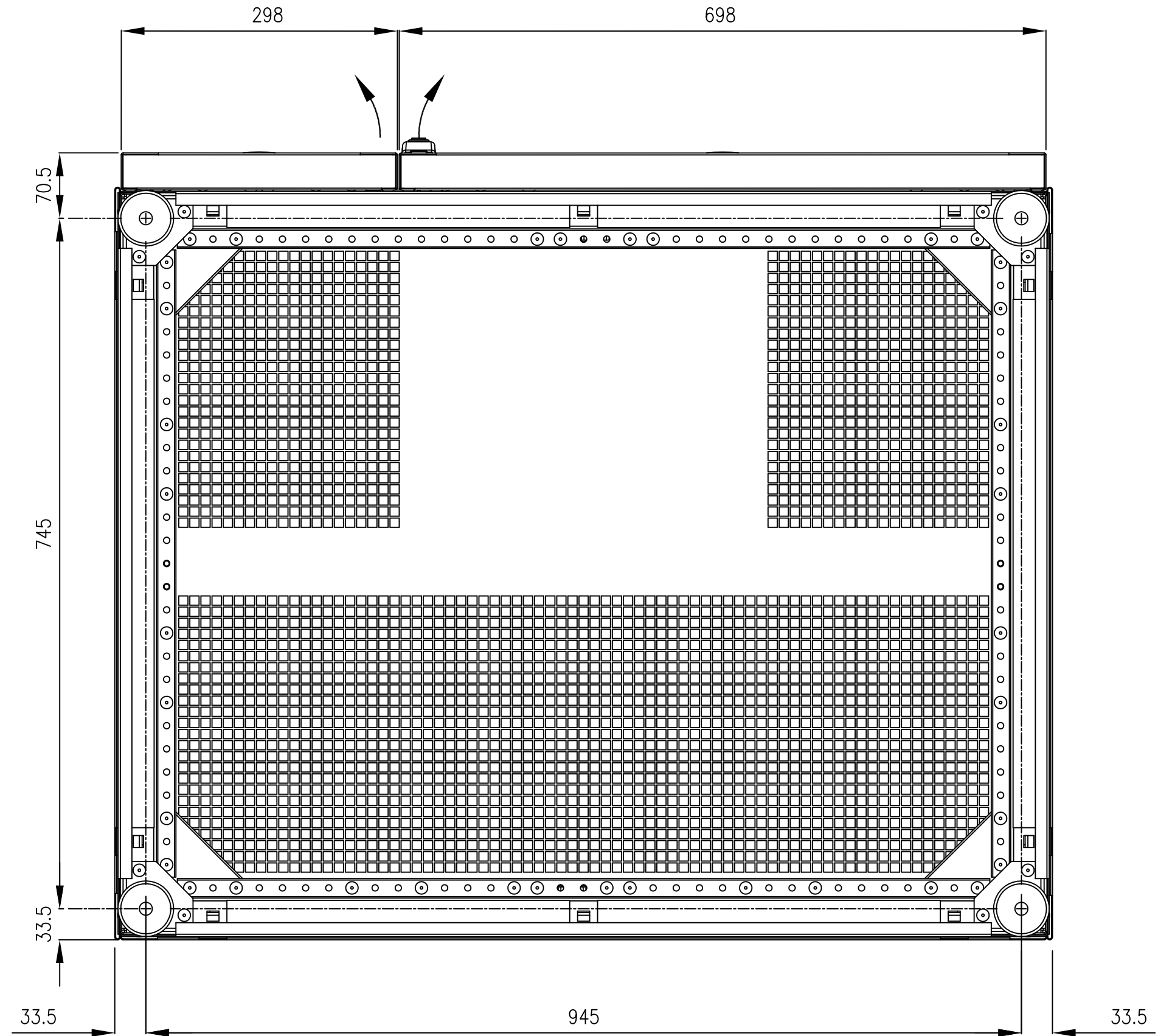
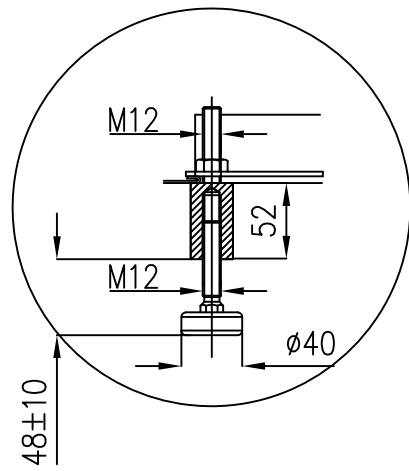


Réglage des vérins.
Foot setting.



NOTES:

1. INSTALLATION SHALL COMPLY WITH ALL APPLICABLE NATIONAL STATE AND LOCAL CODES.
2. PLEASE REFER TO PRODUCT DOCUMENTATION FOR FURTHER INFORMATION.
3. UNLESS OTHERWISE SPECIFIED, ALL DIMENSIONS ARE IN MILLIMETERS.

THIS DRAWING AND SPECIFICATIONS HEREIN ARE THE PROPERTY OF SCHNEIDER ELECTRIC AND SHALL NOT BE COPIED, REPRODUCED OR USED IN WHOLE OR IN PART, AS THE BASIS FOR THE MANUFACTURE OR SALE OF ITEMS WITHOUT WRITTEN PERMISSION FROM SCHNEIDER ELECTRIC. THIS DRAWING IS BASED UPON LATEST AVAILABLE INFORMATION AND IS SUBJECT TO CHANGE WITHOUT NOTICE.



TITLE:
MGE GALAXY 5000
80 - 120 kVA FOOTPRINT
MECHANICAL DIAGRAM

DWG NO:	G5K_EM1012_F		REV.	1
DRAWN:	Pascal Chapuis	12-JUL-10	N/A	
ENGINEER:	Pascal Chapuis	12-JUL-10		
APPROVED:	Pascal Chapuis	12-JUL-10		

PROJECT: SUBMITTAL DRAWINGS SHEET 1 OF 1