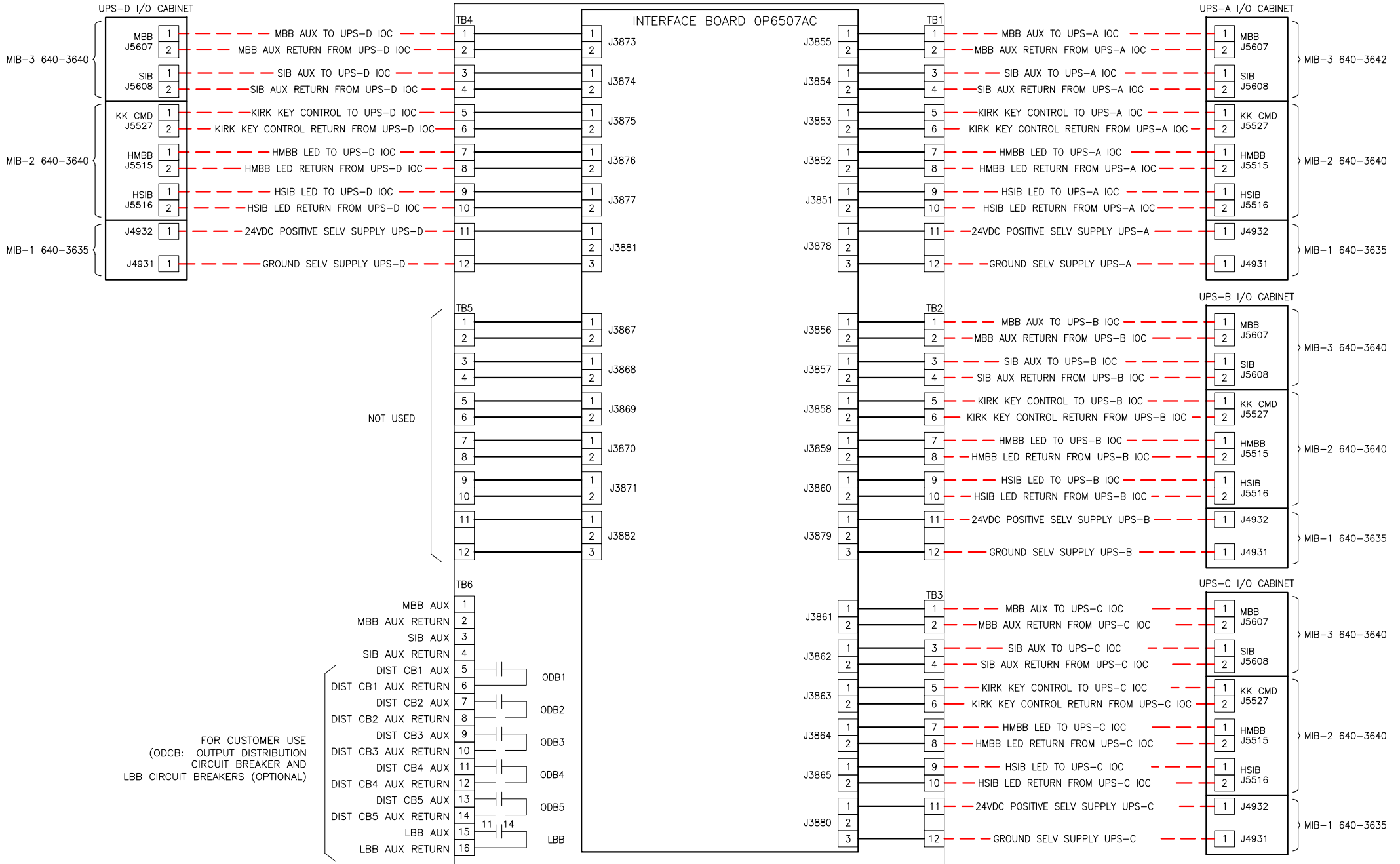


GVX SYSTEM BYPASS CABINET



1. INSTALLATION MUST COMPLY WITH ALL APPLICABLE NATIONAL, STATE AND LOCAL CODES.
2. REFER TO PRODUCT DOCUMENTATION FOR ADDITIONAL DETAILS PRIOR TO INSTALLATION AND SITE PREPARATION WORK.
3. FOR LATEST REVISION OF BOARD PART NUMBERS CONTACT SCHNEIDER ELECTRIC.
4. ALL CIRCUITS CONNECTED MUST HAVE THE SAME 0 V REFERENCE.
5. - - - - - = INTERFACE WIRING SHOWN BETWEEN SBC & UPS ARE 16-20 AWG STRANDED, PROVIDED BY OTHERS.

THIS DRAWING AND SPECIFICATIONS HEREIN ARE THE PROPERTY OF SCHNEIDER ELECTRIC AND SHALL NOT BE COPIED, REPRODUCED OR USED IN WHOLE OR IN PART, AS THE BASIS FOR THE MANUFACTURE OR SALE OF ITEMS WITHOUT WRITTEN PERMISSION FROM SCHNEIDER ELECTRIC. THIS DRAWING IS BASED UPON LATEST AVAILABLE INFORMATION AND IS SUBJECT TO CHANGE WITHOUT NOTICE.

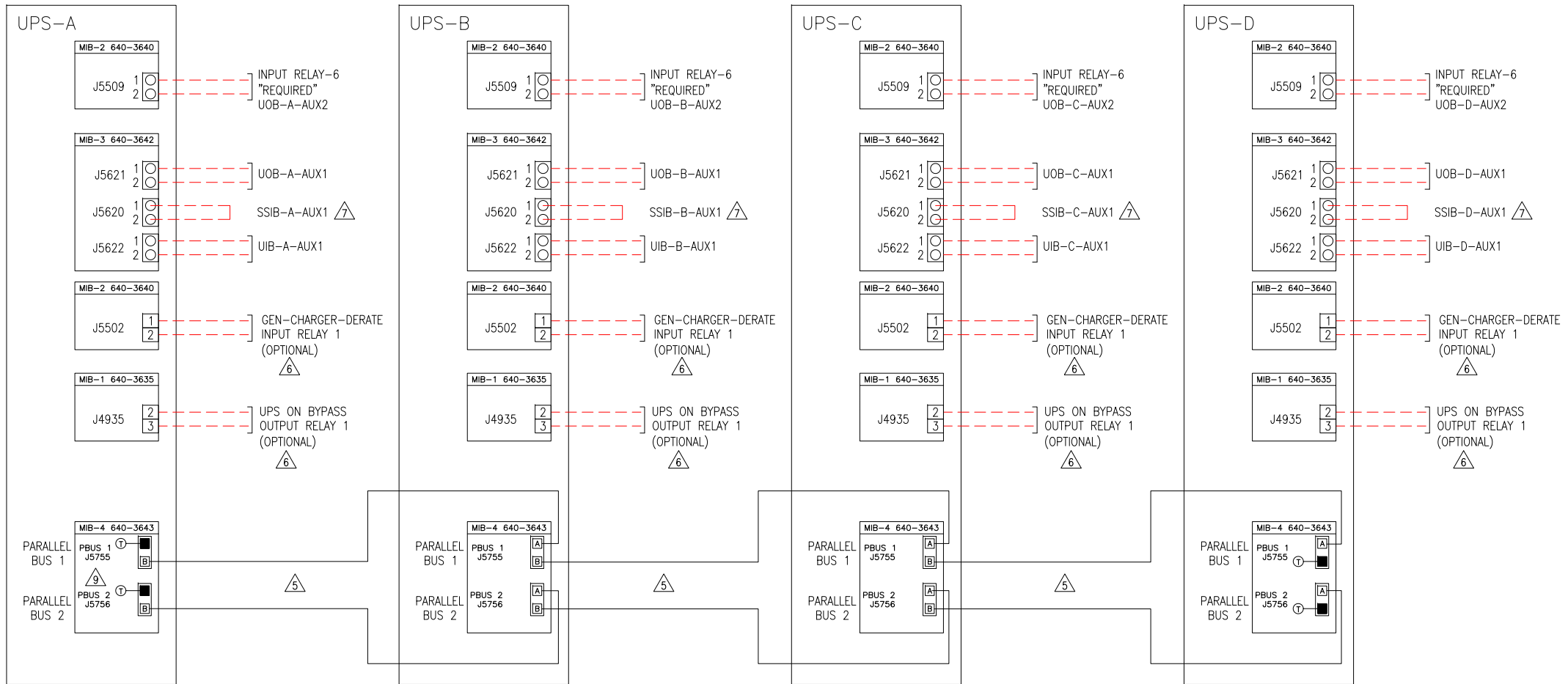


TITLE: Galaxy Vx SINGLE/PARALLEL
UPS 300/500/625/750/1000kW
Input: 480V, 3PH, 60Hz, SINGLE/DUAL MAINS
Output: 480V, 3ph, 60Hz.
SYSTEM WIRING DIAGRAM (SBC TO UPS)

DWG NO: GVX300K1000G-WD REV. 2
DRAWN: BALAMURUGAN 07-NOV-18
ENGINEER: L R 09-NOV-18
APPROVED: N BOBBITT 09-NOV-18

PROJECT: DRAWINGS SHEET 1 OF 7

ANGLE PROJECTION: N/A



1. INSTALLATION MUST COMPLY WITH ALL APPLICABLE NATIONAL, STATE AND LOCAL CODES.
2. REFER TO PRODUCT DOCUMENTATION FOR ADDITIONAL DETAILS PRIOR TO INSTALLATION AND SITE PREPARATION WORK.
3. FOR LATEST REVISION OF BOARD PART NUMBERS CONTACT SCHNEIDER ELECTRIC.
4. ALL CIRCUITS CONNECTED MUST HAVE THE SAME 0 V REFERENCE.
- △5. PBUS1 CABLES ARE WHITE AND PBUS2 ARE RED, PROVIDED BY SCHNEIDER ELECTRIC.
THE TOTAL LENGTH OF PBUS CABLES MUST NOT EXCEED 197 FEET (60 METERS).
- △6. OPTIONAL - CUSTOMER USE.
- △7. FOR SINGLE FEED UPS APPLICATIONS JUMPER MUST BE INSTALLED ONTO TERMINAL J5620 "BY OTHERS".
8. ----- = INTERFACE WIRING SHOWN BETWEEN SBC & UPS ARE 16-20 AWG
STRANDED CABLES PROVIDED BY OTHERS.
- △9. TERMINATORS MUST BE INSTALLED & POSITIONED AS PER
INSTALLATION MANUAL FOR PARALLEL OPERATION.

THIS DRAWING AND SPECIFICATIONS HEREIN ARE THE PROPERTY OF SCHNEIDER ELECTRIC AND SHALL NOT BE COPIED, REPRODUCED OR USED IN WHOLE OR IN PART, AS THE BASIS FOR THE MANUFACTURE OR SALE OF ITEMS WITHOUT WRITTEN PERMISSION FROM SCHNEIDER ELECTRIC. THIS DRAWING IS BASED UPON LATEST AVAILABLE INFORMATION AND IS SUBJECT TO CHANGE WITHOUT NOTICE.



TITLE: Galaxy Vx SINGLE/PARALLEL
UPS 300/500/625/750/1000kW
Input: 480V, 3PH, 60Hz, SINGLE/DUAL MAINS
Output: 480v, 3ph, 60Hz.
SYSTEM WIRING DIAGRAM (BETWEEN UPSs)

PROJECT: DRAWINGS SHEET 2 OF 7

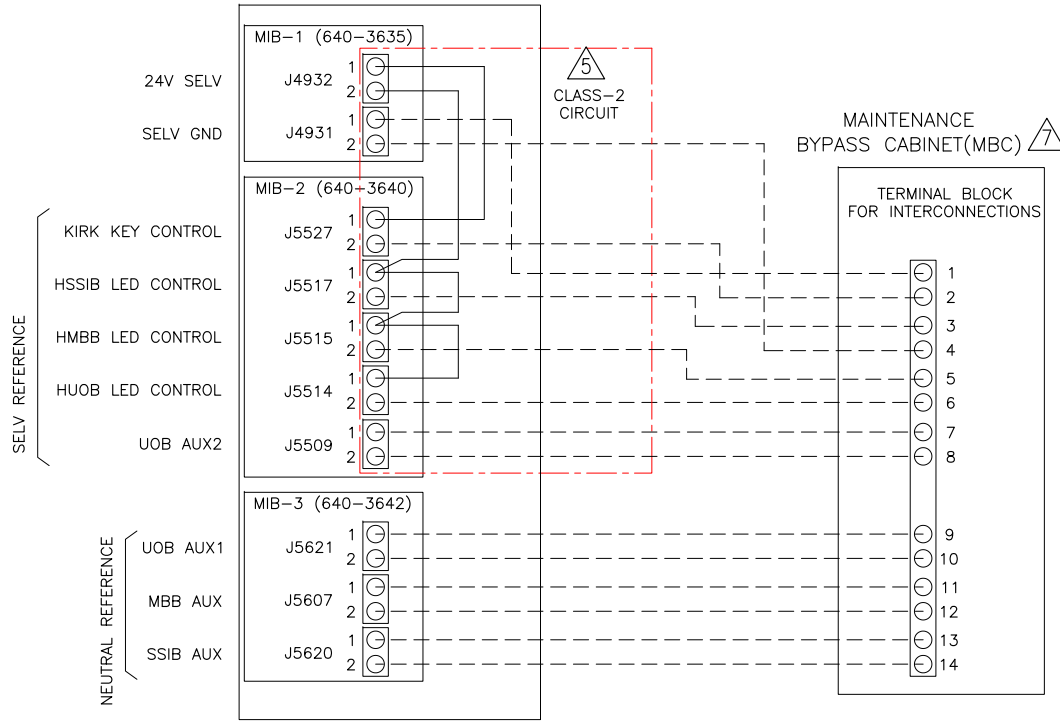
DWG NO: GVX300K1000G-WD

DRAWN: BALAMURUGAN 07-NOV-18
ENGINEER: L R 09-NOV-18
APPROVED: N BOBBITT 09-NOV-18

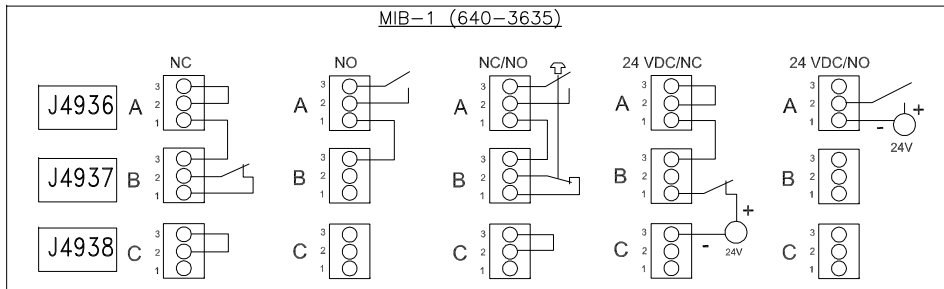
REV: 2
ANGLE: N/A
PROJECTION: N/A

**SIGNAL INTERFACE BETWEEN UPS INPUT-OUTPUT
CABINET AND MAINTENANCE BYPASS CABINET (MBC)**

Galaxy VX UPS
INPUT-OUTPUT
CABINET
(GVXI1000KG)



EMERGENCY POWER OFF (EPO) CONFIGURATIONS (IN GVXI1000KG)

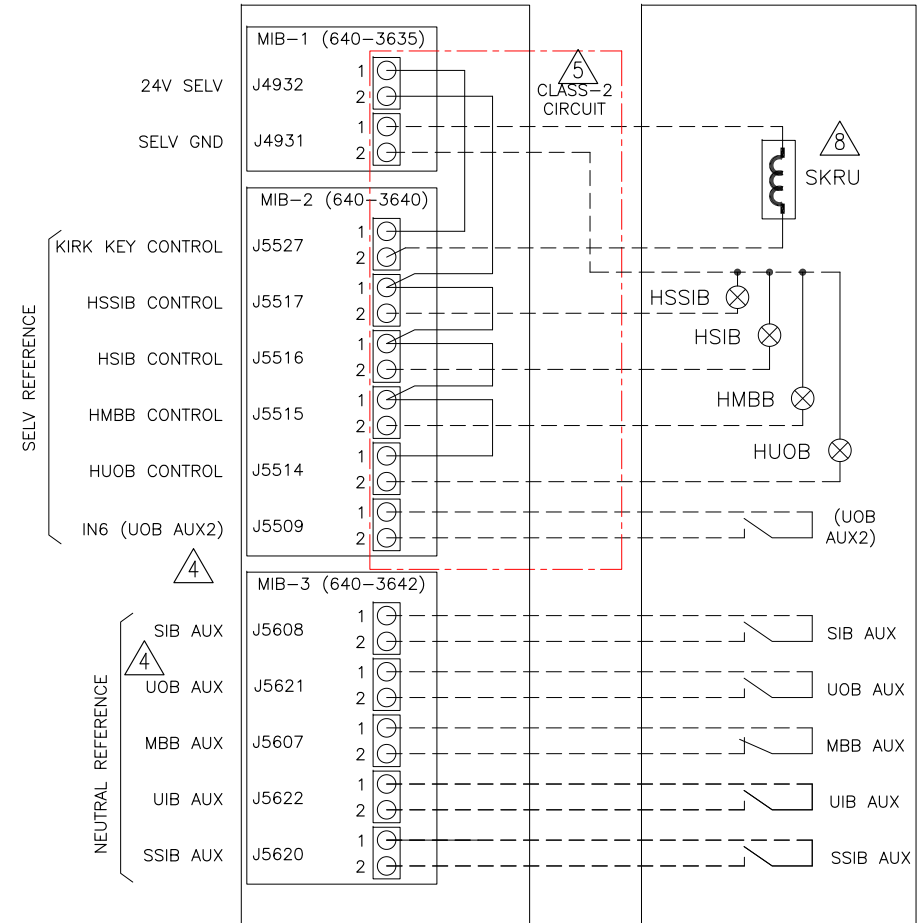


1. INSTALLATION MUST COMPLY WITH ALL APPLICABLE NATIONAL, STATE AND LOCAL CODES.
2. REFER TO PRODUCT DOCUMENTATION FOR ADDITIONAL DETAILS PRIOR TO INSTALLATION AND SITE PREPARATION WORK.
3. FOR LATEST REVISION OF BOARD PART NUMBERS CONTACT SCHNEIDER ELECTRIC.
- △4. THE UOB MUST INCLUDE 2A/2B AUXILIARY CONTACTS.
- △5. ALL CIRCUITS CONNECTED MUST HAVE THE SAME 0 V REFERENCE.
6. - - - - = CABLES PROVIDED BY OTHERS.
- △7. FOR MBC WITH SSIB CONFIGURATIONS PINS 1 & 2 NOT USED.
- △8. REQUIRES 24V DC SKRU.

**SIGNAL INTERFACE BETWEEN UPS
INPUT-OUTPUT CABINET AND THIRD PARTY
SYSTEM BYPASS SWITCHGEAR UNIT**

Galaxy VX UPS
INPUT-OUTPUT
CABINET
(GVXI1000KG)

THIRD PARTY
SYSTEM BYPASS
SWITCHGEAR UNIT



THIS DRAWING AND SPECIFICATIONS HEREIN ARE THE PROPERTY OF SCHNEIDER ELECTRIC AND SHALL NOT BE COPIED, REPRODUCED OR USED IN WHOLE OR IN PART, AS THE BASIS FOR THE MANUFACTURE OR SALE OF ITEMS WITHOUT WRITTEN PERMISSION FROM SCHNEIDER ELECTRIC. THIS DRAWING IS BASED UPON LATEST AVAILABLE INFORMATION AND IS SUBJECT TO CHANGE WITHOUT NOTICE.

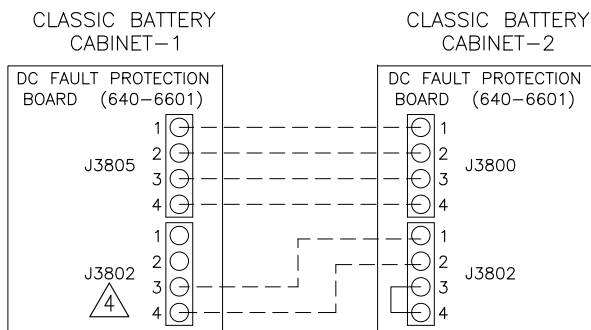
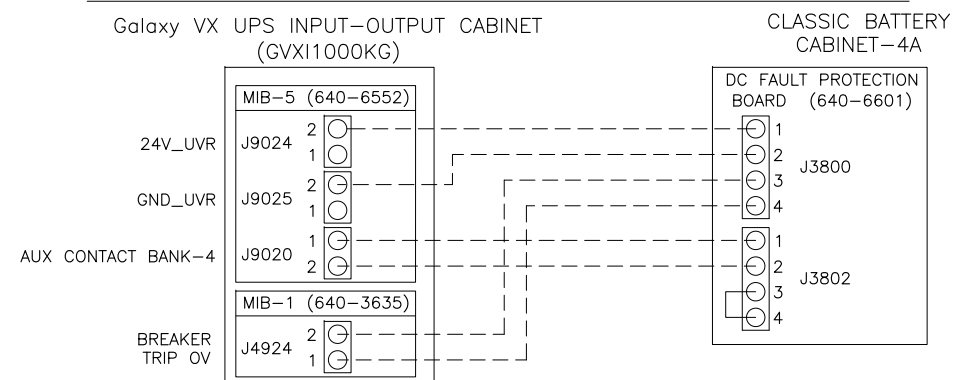
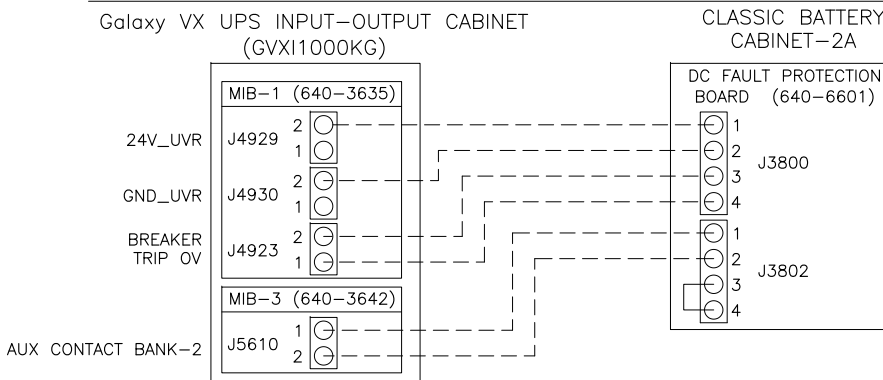
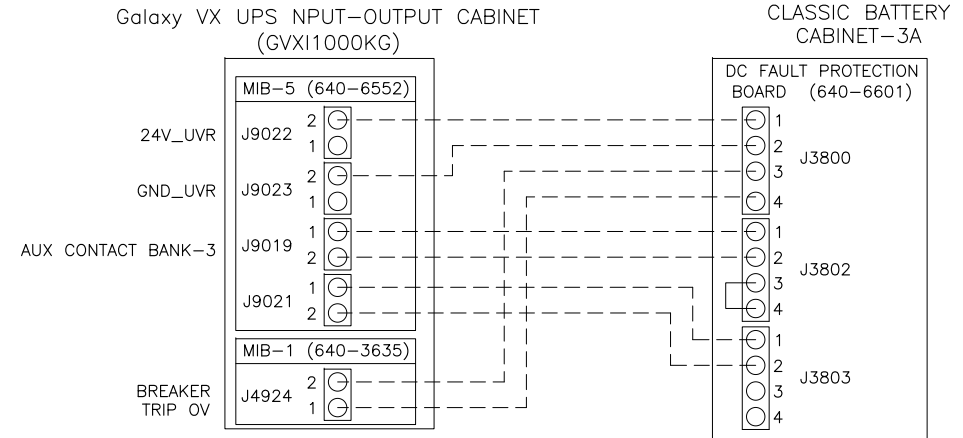
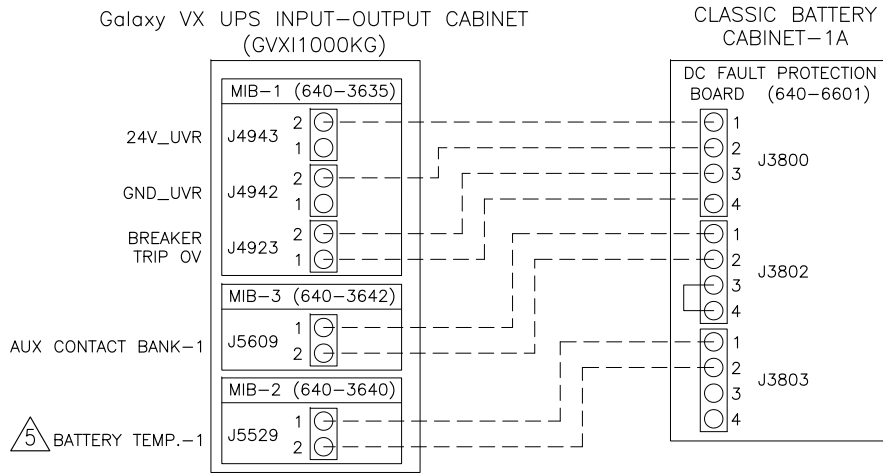


TITLE: Galaxy VX SINGLE/PARALLEL
UPS 300/500/625/750/1000kW
Input: 480V, 3PH, 60Hz, SINGLE/DUAL MAINS
Output: 480V, 3ph, 60Hz.
SYSTEM WIRING DIAGRAM (MBC, EPO&3RD PARTY MBC)
PROJECT: DRAWINGS SHEET 3 OF 7

DWG NO: GVX300K1000G-WD
DRAWN: BALAMURUGAN 07-NOV-18
ENGINEER: L R 09-NOV-18
APPROVED: N BOBBITT 09-NOV-18

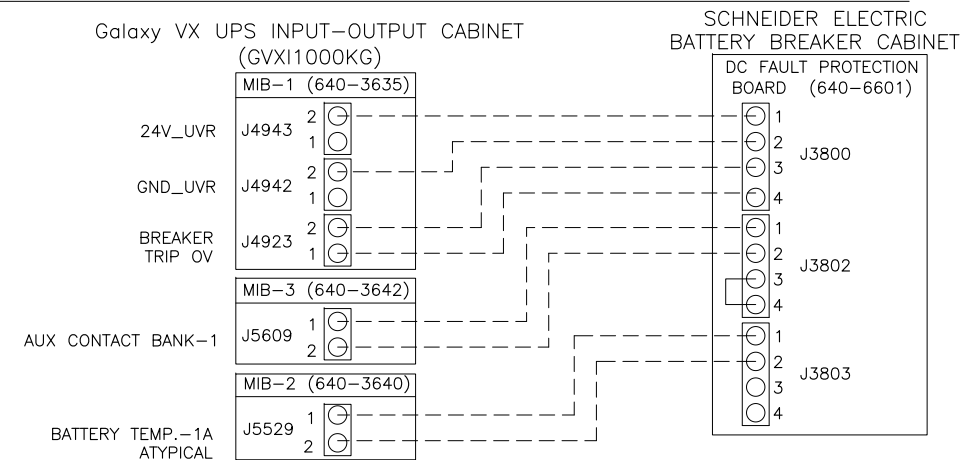
REV. 1
ANGLE PROJECTION: N/A

SIGNAL INTERFACE BETWEEN UPS INPUT-OUTPUT CABINET AND BATTERY SOLUTIONS CABINETS



BATTERY BANK CONFIGURATION

BATTERY SRTING NUMBER	BANK-1	BANK-2	BANK-3	BANK-4
1	1			
2	1	1		
3	1	1	1	
4	1	1	1	1
5	2	1	1	1
6	2	2	1	1
7	2	2	2	1
8	2	2	2	2



1. INSTALLATION MUST COMPLY WITH ALL APPLICABLE NATIONAL, STATE AND LOCAL CODES.
2. REFER TO PRODUCT DOCUMENTATION FOR ADDITIONAL DETAILS PRIOR TO INSTALLATION AND SITE PREPARATION WORK.
3. FOR LATEST REVISION OF BOARD PART NUMBERS CONTACT SCHNEIDER ELECTRIC.
- △4. REMOVED THE EXISTING JUMPER BETWEEN TERMINALS 3 AND 4.
- △5. THE TEMPERATURE SENSORS CAN BE INSTALLED IN ANY OF THE CLASSIC BATTERY CABINETS.
- △6. STRINGS 7 & 8 AND/OR BOTTOM ENTRY REQUIRES BATTERY BREAKER CABINET OR CENTER FUSED PULL CABINET.

THIS DRAWING AND SPECIFICATIONS HEREIN ARE THE PROPERTY OF SCHNEIDER ELECTRIC AND SHALL NOT BE COPIED, REPRODUCED OR USED IN WHOLE OR IN PART, AS THE BASIS FOR THE MANUFACTURE OR SALE OF ITEMS WITHOUT WRITTEN PERMISSION FROM SCHNEIDER ELECTRIC. THIS DRAWING IS BASED UPON LATEST AVAILABLE INFORMATION AND IS SUBJECT TO CHANGE WITHOUT NOTICE.

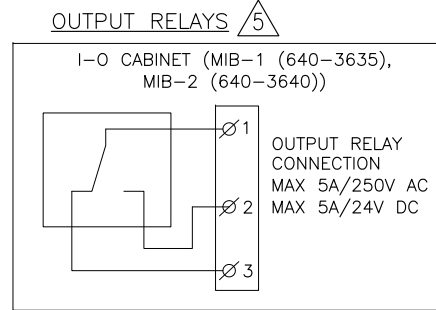
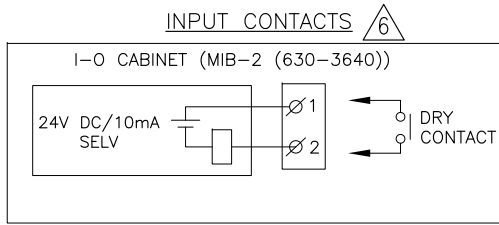


TITLE: Galaxy VX SINGLE/PARALLEL UPS 300/500/625/750/1000kW
 Input: 480V, 3PH, 60Hz, SINGLE/DUAL MAINS
 Output: 480V, 3ph, 60Hz.
 SYSTEM WIRING DIAGRAM (BATTERY SOLUTION)

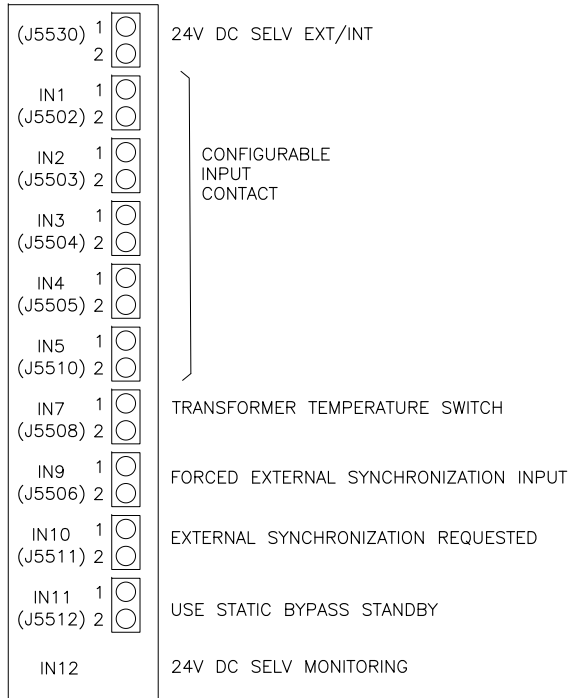
DWG NO: GVX300K1000G-WD
 DRAWN: BALAMURUGAN 07-NOV-18
 ENGINEER: L R 09-NOV-18
 APPROVED: N BOBBITT 09-NOV-18

REV: 1
 ANGLE PROJECTION: N/A

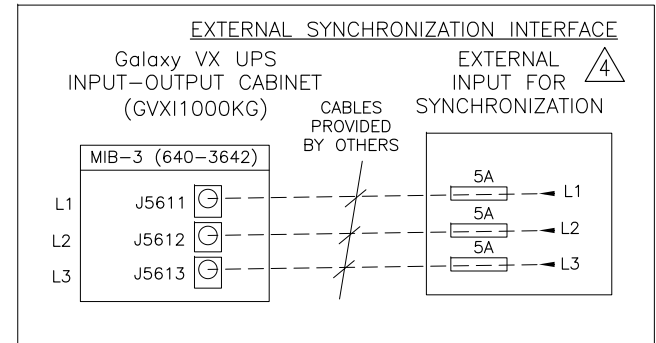
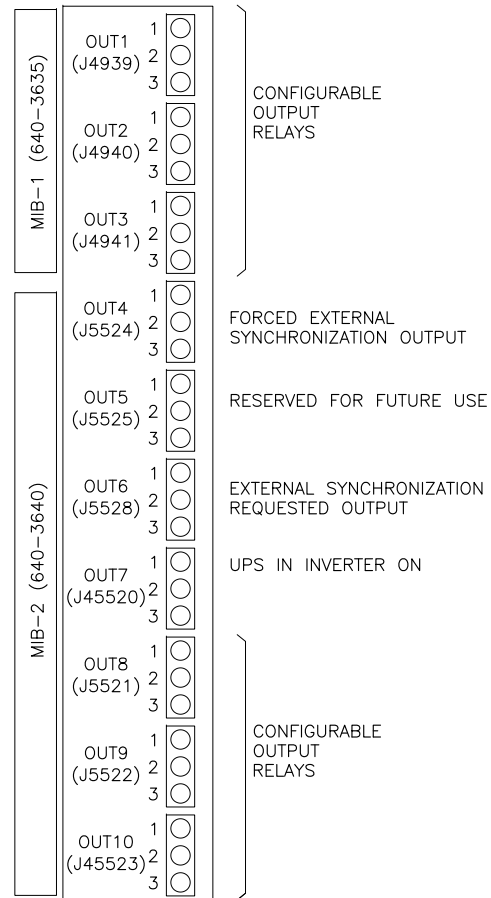
EQUIPMENT TO INPUT CONTACTS AND OUTPUT RELAYS (IN GVX11000KG)




I-O CABINET
(MIB-2
640-3640)
INPUT CONTACTS




I-O CABINET
OUTPUT RELAYS




1. INSTALLATION MUST COMPLY WITH ALL APPLICABLE NATIONAL, STATE AND LOCAL ELECTRICAL REGULATIONS.
2. REFER TO PRODUCT DOCUMENTATION FOR ADDITIONAL DETAILS PRIOR TO INSTALLATION AND SITE PREPARATION WORK.
3. FOR LATEST REVISION OF BOARD PART NUMBERS CONTACT SCHNEIDER ELECTRIC.

 4. THE PHASES FROM THE SYNCHRONIZATION SOURCE MUST BE PROTECTED BY A FUSE OF MAXIMUM 5A.

 5. MAX 250V AC 5A MUST BE CONNECTED TO THE OUTPUT RELAYS.

ALL EXTERNAL CIRCUITRY MUST BE FUSED WITH MAXIMUM 5 A FAST ACTING FUSES.

 6. DO NOT CONNECT ANY CIRCUIT TO THE INPUT CONTACTS UNLESS IT CAN BE CONFIRMED THAT THE CIRCUIT IS CLASS 2. ALL CIRCUITS CONNECTED MUST HAVE THE SAME OV REFERENCE.

COMMON SIGNALING TO THE INPUT CONTACTS MUST BE GALVANICALLY ISOLATED TO AVOID

CROSS CURRENTS BETWEEN PARALLEL UPSs. AN EXTERNAL SUPPLY MUST BE CONNECTED TO 640-3640

TERMINAL J5530 AND THE SWITCH SW5500 MUST BE IN CLOSED POSITION (PWR IN 24V DC SELV).

THIS DRAWING AND SPECIFICATIONS HEREIN ARE THE PROPERTY OF SCHNEIDER ELECTRIC AND SHALL NOT BE COPIED, REPRODUCED OR USED IN WHOLE OR IN PART, AS THE BASIS FOR THE MANUFACTURE OR SALE OF ITEMS WITHOUT WRITTEN PERMISSION FROM SCHNEIDER ELECTRIC. THIS DRAWING IS BASED UPON LATEST AVAILABLE INFORMATION AND IS SUBJECT TO CHANGE WITHOUT NOTICE.

Schneider Electric

TITLE: Galaxy VX SINGLE/PARALLEL
UPS 300/500/625/750/1000kW
Input: 480V, 3PH, 60Hz, SINGLE/DUAL MAINS
Output: 480V, 3ph, 60Hz,
SYSTEM WIRING DIAGRAM (IN-OUT/PBUS)

DWG NO: GVX300K1000G-WD

REV. 1

DRAWN: BALAMURUGAN 07-NOV-18
ENGINEER: L R 09-NOV-18

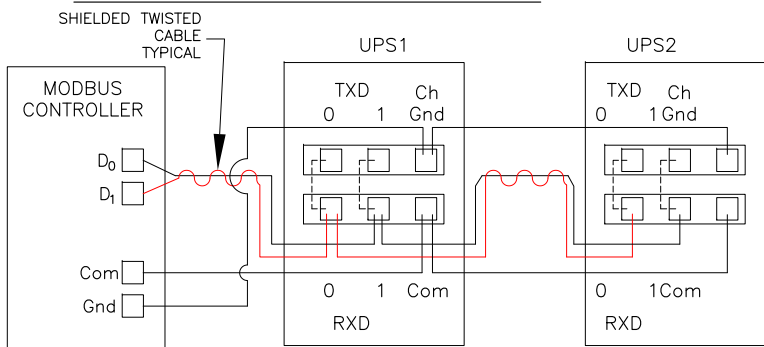
ANGLE
PROJECTION:
N/A

PROJECT: DRAWINGS SHEET 5 OF 7

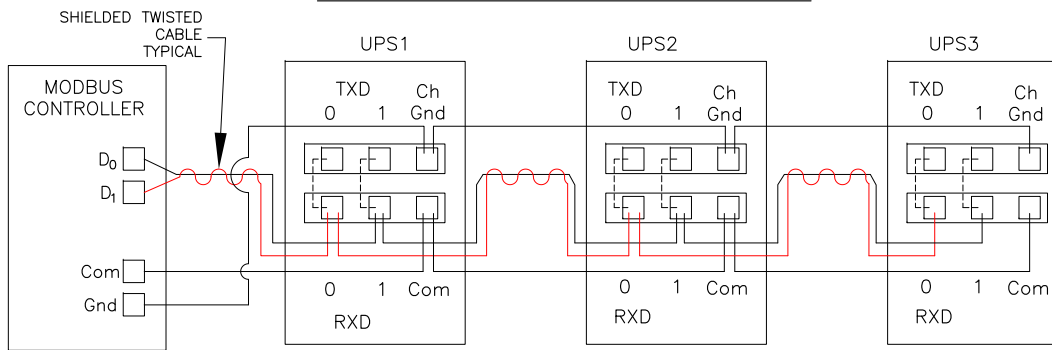
APPROVED: N BOBBITT 09-NOV-18

TYPICAL MODBUS CONNECTION

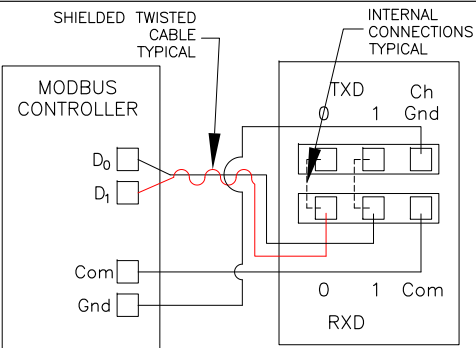
2-WIRE CONNECTION WITH TWO UPSs



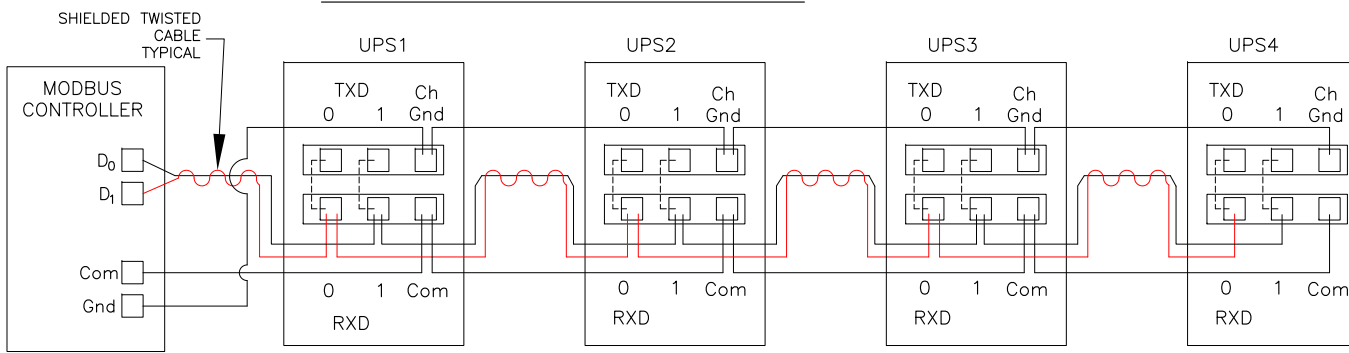
2-WIRE CONNECTION WITH THREE UPSs



2-WIRE CONNECTION WITH SINGLE UPS

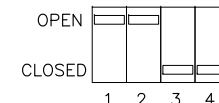


2-WIRE CONNECTION WITH FOUR UPSs

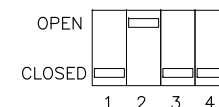


MODBUS DIP SWITCHES SETTING

2-WIRE WITHOUT TERMINATION



2-WIRE WITH TERMINATION



1. INSTALLATION MUST COMPLY WITH ALL APPLICABLE NATIONAL, STATE AND LOCAL ELECTRICAL REGULATIONS.
2. REFER TO PRODUCT DOCUMENTATION FOR ADDITIONAL DETAILS PRIOR TO INSTALLATION AND SITE PREPARATION WORK.
3. FOR LATEST REVISION OF BOARD PART NUMBERS CONTACT SCHNEIDER ELECTRIC.
4. SHIELDED CABLES MUST BE USED FOR MODBUS CONNECTIONS. THE SHIELD CONNECTION TO THE GROUND MUST BE AS SHORT AS POSSIBLE (IDEALLY BELOW 1 cm).

THIS DRAWING AND SPECIFICATIONS HEREIN ARE THE PROPERTY OF SCHNEIDER ELECTRIC AND SHALL NOT BE COPIED, REPRODUCED OR USED IN WHOLE OR IN PART, AS THE BASIS FOR THE MANUFACTURE OR SALE OF ITEMS WITHOUT WRITTEN PERMISSION FROM SCHNEIDER ELECTRIC. THIS DRAWING IS BASED UPON LATEST AVAILABLE INFORMATION AND IS SUBJECT TO CHANGE WITHOUT NOTICE.



TITLE: Galaxy Vx SINGLE/PARALLEL
UPS 300/500/625/750/1000kW
Input: 480V, 3PH, 60Hz, SINGLE/DUAL MAINS
Output: 480V, 3ph, 60Hz
SYSTEM WIRING DIAGRAM (MODBUS-2 WIRE)

DWG NO: GVX300K1000G-WD

REV. 1

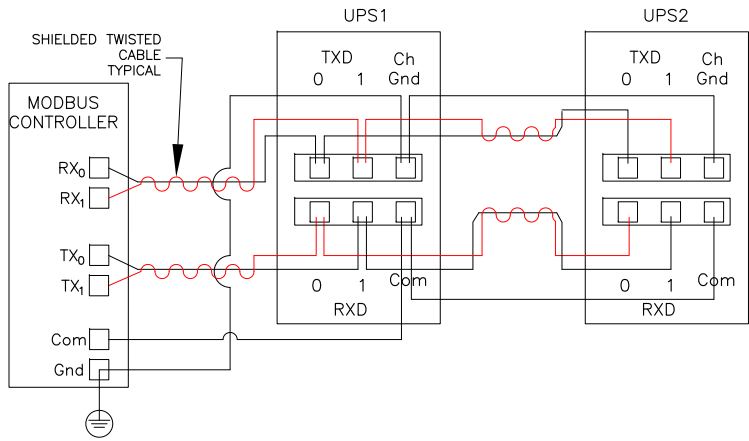
PROJECT: DRAWINGS SHEET 6 OF 7

DRAWN: BALAMURUGAN 07-NOV-18
ENGINEER: L R 09-NOV-18
APPROVED: N BOBBITT 09-NOV-18

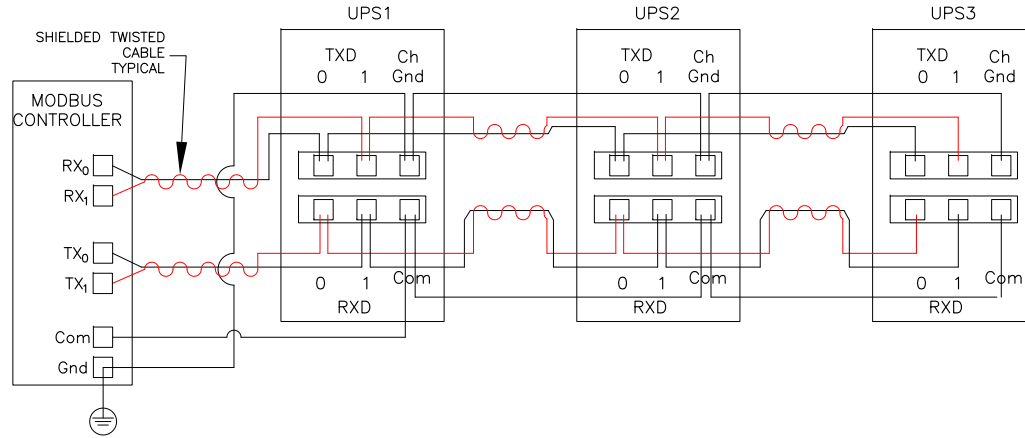
ANGLE PROJECTION: N/A

TYPICAL MODBUS CONNECTION

4-WIRE CONNECTION WITH TWO UPSs

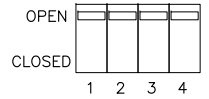


4-WIRE CONNECTION WITH THREE UPSs

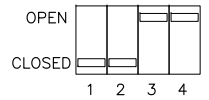


MODBUS
DIP SWITCHES
SETTING

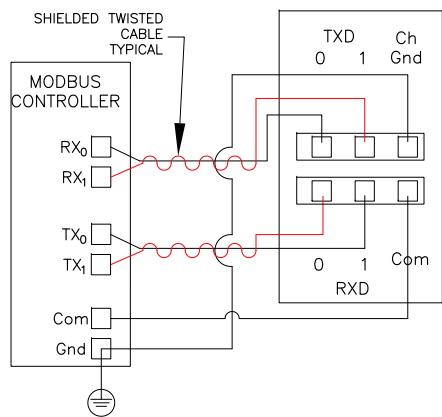
4-WIRE WITHOUT TERMINATION



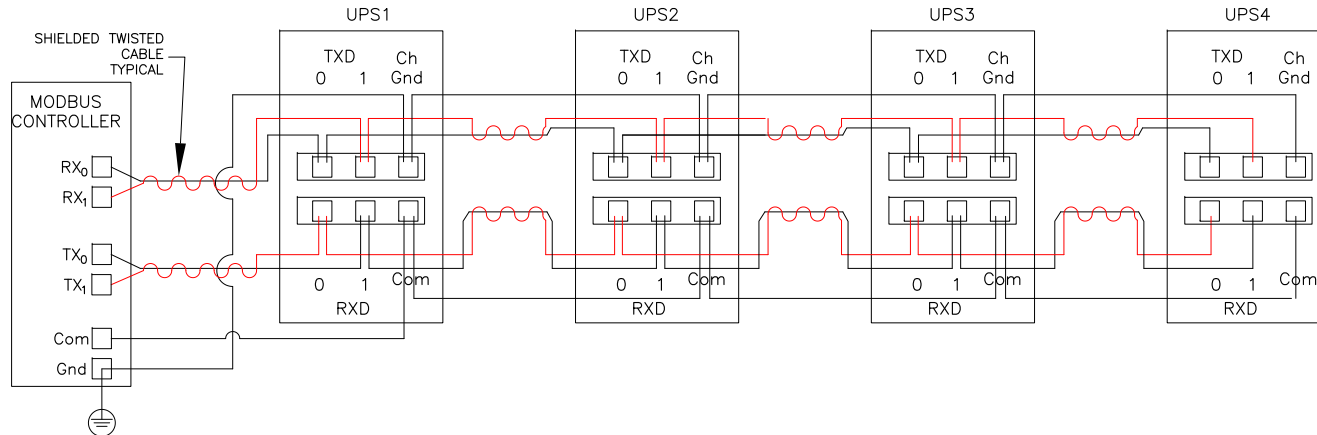
4-WIRE WITH TERMINATION



4-WIRE CONNECTION WITH SINGLE UPS



4-WIRE CONNECTION WITH FOUR UPSs



1. INSTALLATION MUST COMPLY WITH ALL APPLICABLE NATIONAL, STATE AND LOCAL ELECTRICAL REGULATIONS.
2. REFER TO PRODUCT DOCUMENTATION FOR ADDITIONAL DETAILS PRIOR TO INSTALLATION AND SITE PREPARATION WORK.
3. FOR LATEST REVISION OF BOARD PART NUMBERS CONTACT SCHNEIDER ELECTRIC.
4. SHIELDED CABLES MUST BE USED FOR MODBUS CONNECTIONS. THE SHIELD CONNECTION TO THE GROUND MUST BE AS SHORT AS POSSIBLE (IDEALLY BELOW 1 cm).

THIS DRAWING AND SPECIFICATIONS HEREIN ARE THE PROPERTY OF SCHNEIDER ELECTRIC AND SHALL NOT BE COPIED, REPRODUCED OR USED IN WHOLE OR IN PART, AS THE BASIS FOR THE MANUFACTURE OR SALE OF ITEMS WITHOUT WRITTEN PERMISSION FROM SCHNEIDER ELECTRIC. THIS DRAWING IS BASED UPON LATEST AVAILABLE INFORMATION AND IS SUBJECT TO CHANGE WITHOUT NOTICE.



TITLE: Galaxy Vx SINGLE/PARALLEL
UPS 300/500/625/750/1000kW
Input: 480V, 3PH, 60Hz, SINGLE/DUAL MAINS
Output: 480V, 3ph, 60Hz
SYSTEM WIRING DIAGRAM (MODBUS-4 WIRE)

DWG NO: GVX300K1000G-WD REV. 1

DRAWN: BALAMURUGAN 07-NOV-18

ENGINEER: L R 09-NOV-18

APPROVED: N BOBBITT 09-NOV-18

PROJECT: DRAWINGS SHEET 7 OF 7

ANGLE
PROJECTION:
N/A