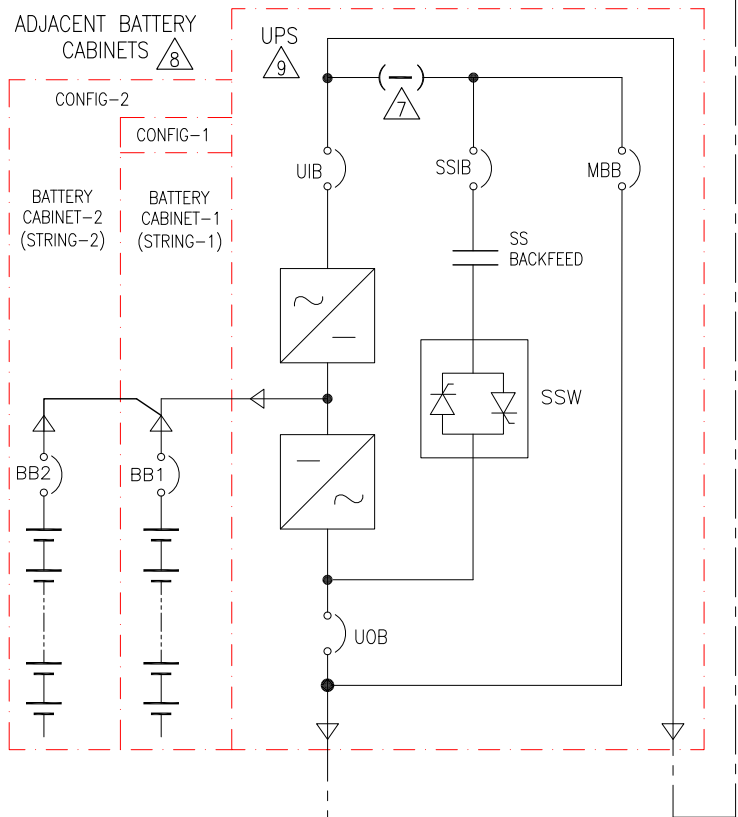


BOTTOM ENTRY WITH ADJACENT BATTERY CABINETS

SINGLE MAINS

INPUT WYE
208V OR 220V AC
3PH, 60Hz
4 WIRE + GROUND
65kA RMS MAXIMUM
(PROVIDED BY OTHERS)

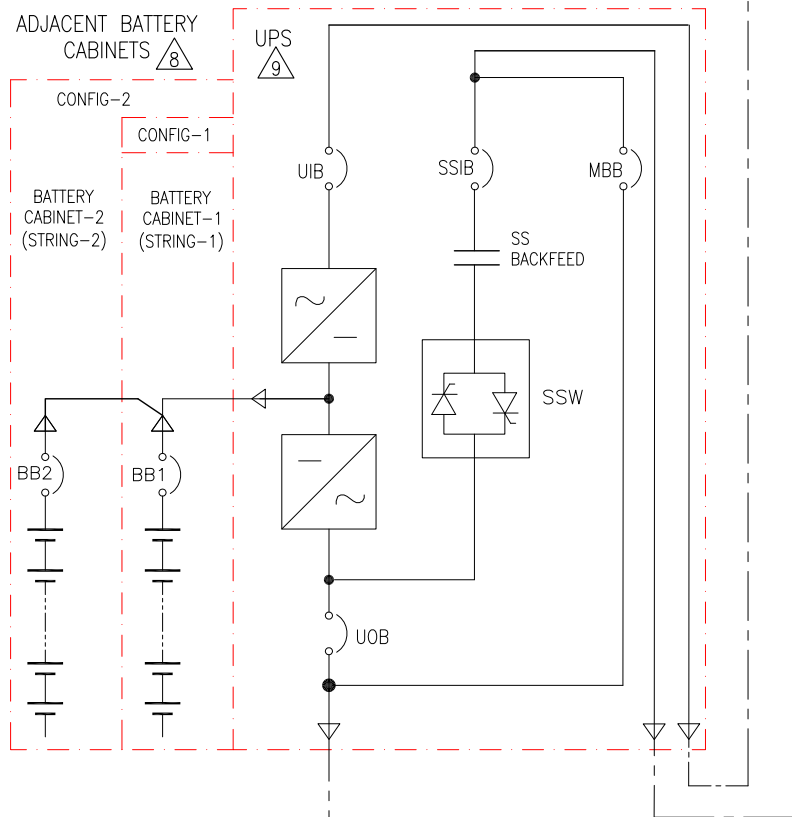


UPS SYSTEM OUTPUT
208V/120V OR 220V/127V AC
60Hz 3PH 4 WIRE+GROUND

DUAL MAINS

MAINS INPUT WYE
208V OR 220V AC
3PH, 60Hz
3 WIRE + GROUND
65kA RMS MAXIMUM
(PROVIDED BY OTHERS)

BYPASS INPUT WYE
208V OR 220V AC
3PH, 60Hz
4 WIRE + GROUND
65kA RMS MAXIMUM
(PROVIDED BY OTHERS)



UPS SYSTEM OUTPUT
208V/120V OR 220V/127V AC
60Hz 3PH 4 WIRE+GROUND

NOTES:

- INSTALLATION SHALL COMPLY WITH ALL APPLICABLE NATIONAL, STATE AND LOCAL CODES.
- REFER TO PRODUCT DOCUMENTATION FOR ADDITIONAL DETAILS PRIOR TO INSTALLATION AND SITE PREPARATION WORK.
- DRAWING DEPICTS POWER SYSTEM CONNECTIONS AND IS NOT REPRESENTATIVE OF PHYSICAL LAYOUT, PLEASE REFER TO MECHANICAL DRAWINGS FOR PHYSICAL LAYOUT.
- MAXIMUM SHORT CIRCUIT CURRENT IS 65kA.
- SINGLE MAINS: INPUT TO BE 208V OR 220V AC 3PH WYE 4 WIRE+GROUND, EITHER SOLIDLY OR HIGH RESISTANCE GROUNDING, (CONTACT Schneider Electric IF OTHER).
DUAL MAINS: MAINS INPUT TO BE 208V OR 220V AC 3PH WYE 3 WIRE+GROUND,
BYPASS INPUT TO BE 208V OR 220V AC 3PH WYE 4 WIRE+GROUND, EITHER SOLIDLY OR HIGH RESISTANCE GROUNDING, (CONTACT Schneider Electric IF OTHER).
- CABLE LUGS ARE NOT PROVIDED.
- DUAL MAINS CONFIGURATION IS A DEFAULT. FOR SINGLE MAINS CONFIGURATION USE SINGLE MAINS KIT (0M-99058) SUPPLIED WITH THE UPS. REFER TO INSTALLATION MANUAL.
- TWO BATTERY CABINETS SHOWN, MAXIMUM OF 3 BATTERY CABINETS CAN BE BAYED WITH UPS. FOR RUNTIME DETAILS REFER TO INSTALLATION MANUAL OR CONTACT SCHNEIDER ELECTRIC.
- FOR TECHNICAL SPECIFICATION, SKU NUMBERS ETC., REFER TO SHEET-7.
- Schneider Electric RECOMMENDS TEMPERATURE RATING OF CONDUCTORS AT 90°C(194°F), REFERENCE TABLE 310.15(B)(16) OF NEC 75°C COLUMN, USE STANDARD COPPER CONDUCTORS (75°C(167°F) CABLE TERMINAL CONNECTORS ASSUMED).

LEGEND:
--- AC CABLE (PROVIDED BY OTHERS)

THIS DRAWING AND SPECIFICATIONS HEREIN ARE THE PROPERTY OF SCHNEIDER ELECTRIC AND SHALL NOT BE COPIED, REPRODUCED OR USED IN WHOLE OR IN PART, AS THE BASIS FOR THE MANUFACTURE OR SALE OF ITEMS WITHOUT WRITTEN PERMISSION FROM SCHNEIDER ELECTRIC. THIS DRAWING IS BASED UPON LATEST AVAILABLE INFORMATION AND IS SUBJECT TO CHANGE WITHOUT NOTICE.



TITLE: GUTOR PXC
Input: 208V / 220V AC 3PH SINGLE/DUAL MAINS
Output: 208V/220V AC 3PH 25/37.5/50 kW
1 MOD UPS BOTTOM ENTRY W ADJ. BATT. CABINETS
SYSTEM ONE LINE DIAGRAM

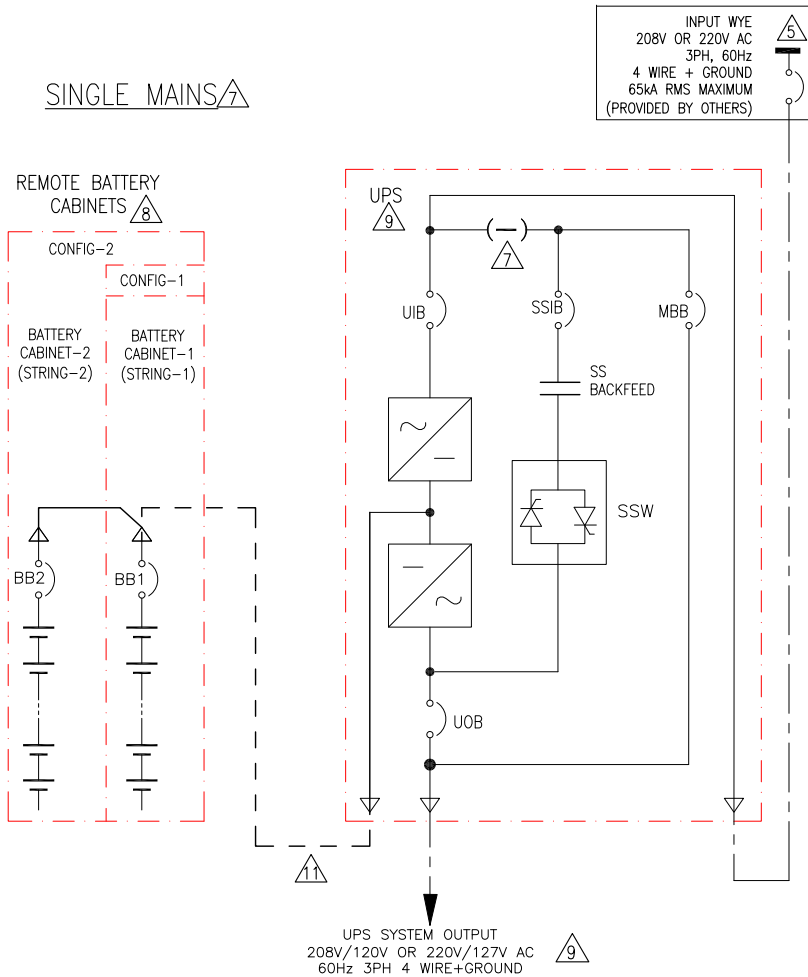
PROJECT: DRAWINGS **SHEET:** 1 OF 7

DWG NO: GUPXC25K50FTBBC1-SD	REV. 1
DRAWN BY: BALAMURUGAN	11-JAN-18
ENGINEER: W WATKINS/A SINGH	12-JAN-18
APPROVED BY: I K / N B	12-JAN-18

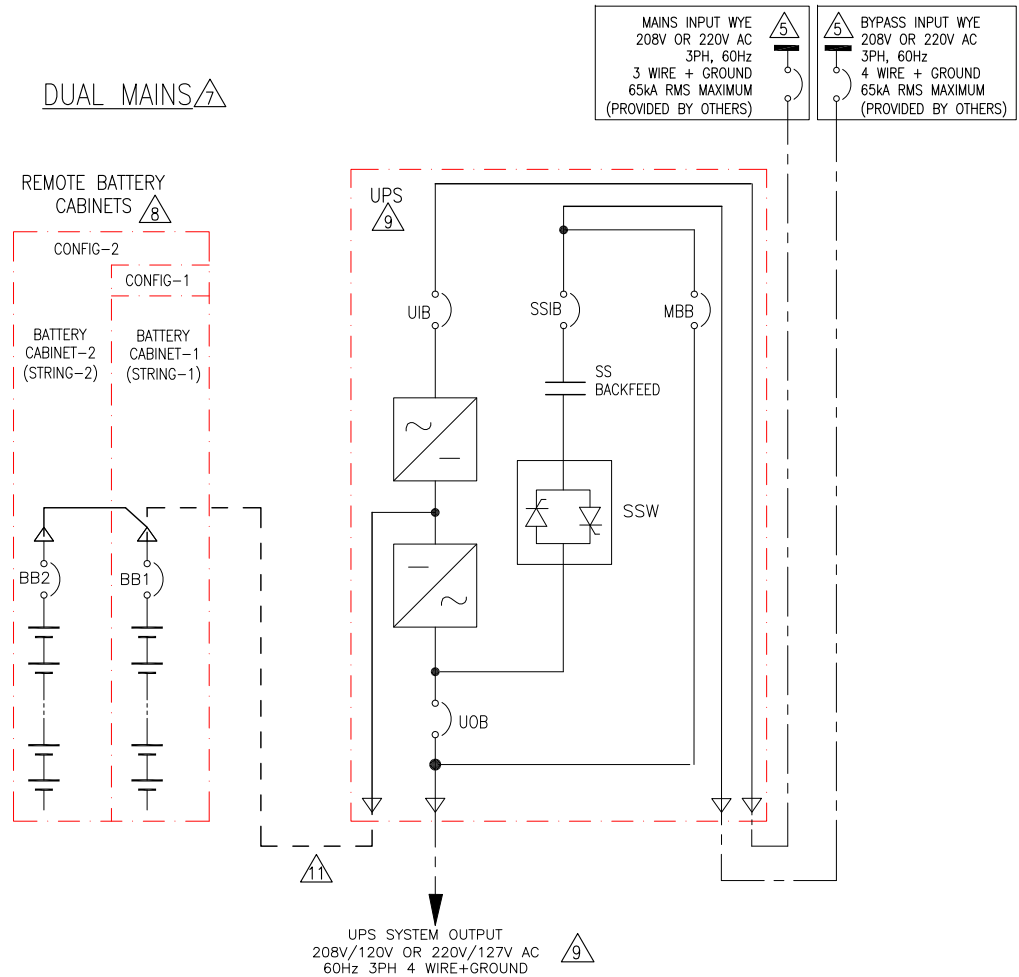
ANGLE
PROJECTION
N.A.

BOTTOM ENTRY WITH REMOTE BATTERY CABINETS

SINGLE MAINS



DUAL MAINS



NOTES:

1. INSTALLATION SHALL COMPLY WITH ALL APPLICABLE NATIONAL, STATE AND LOCAL CODES.
2. REFER TO PRODUCT DOCUMENTATION FOR ADDITIONAL DETAILS PRIOR TO INSTALLATION AND SITE PREPARATION WORK.
3. DRAWING DEPICTS POWER SYSTEM CONNECTIONS AND IS NOT REPRESENTATIVE OF PHYSICAL LAYOUT, PLEASE REFER TO MECHANICAL DRAWINGS FOR PHYSICAL LAYOUT.
4. MAXIMUM SHORT CIRCUIT CURRENT IS 65kA.
5. SINGLE MAINS: INPUT TO BE 208V OR 220V AC 3PH WYE 4 WIRE+GROUND, EITHER SOLIDLY OR HIGH RESISTANCE GROUNDED, (CONTACT Schneider Electric IF OTHER).
DUAL MAINS: MAINS INPUT TO BE 208V OR 220V AC 3PH WYE 3 WIRE+GROUND, EITHER SOLIDLY OR HIGH RESISTANCE GROUNDED, (CONTACT Schneider Electric IF OTHER).
6. CABLE LUGS ARE NOT PROVIDED.
7. DUAL MAINS CONFIGURATION IS A DEFAULT. FOR SINGLE MAINS CONFIGURATION USE SINGLE MAINS KIT (0M-99058) SUPPLIED WITH THE UPS. REFER TO INSTALLATION MANUAL.
8. TWO BATTERY CABINETS SHOWN, MAXIMUM OF 3 BATTERY CABINETS CAN BE BAYED. FOR RUNTIME DETAILS REFER TO INSTALLATION MANUAL OR CONTACT SCHNEIDER ELECTRIC.
9. FOR TECHNICAL SPECIFICATION, SKU NUMBERS ETC., REFER TO SHEET-7.
10. Schneider Electric RECOMMENDS TEMPERATURE RATING OF CONDUCTORS AT 90°C(194°F), REFERENCE TABLE 310.15(B)(16) OF NEC 75°C COLUMN, USE STANDARD COPPER CONDUCTORS (75°C(167°F) CABLE TERMINAL CONNECTORS ASSUMED).
11. Schneider Electric RECOMMENDS ALL CABLES SHALL BE SIZED IN ACCORDANCE WITH ARTICLE 210-19 OF NEC (FEEDER VOLTAGE DROP OF 3%). CONSULT YOUR LICENSED ENGINEER OF RECORDS FOR SITE-SPECIFIC *10MS/LR TIME CONSTANT CALCULATIONS FOR OVER-CURRENT PROTECTION AND BATTERY RUNTIMS.

LEGEND:

- AC CABLE (PROVIDED BY OTHERS)
- 500VDC CABLE (PROVIDED BY OTHERS)

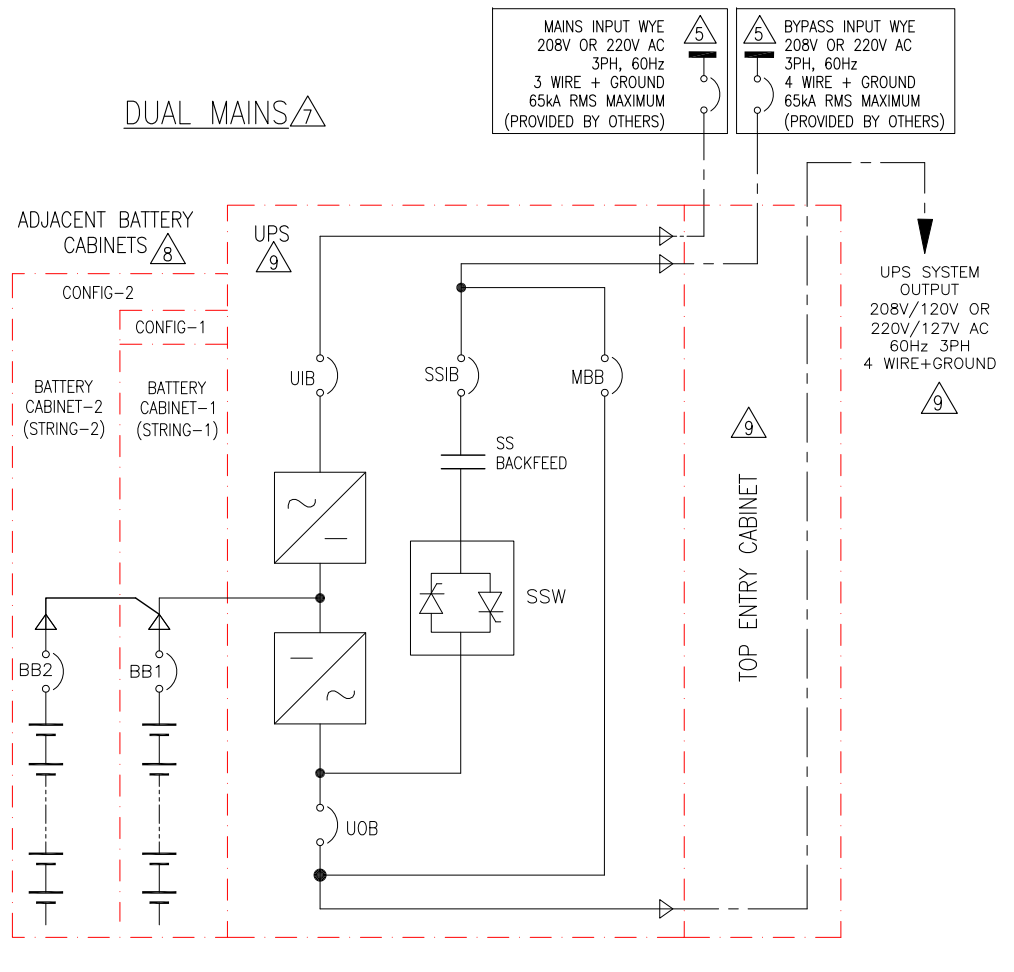
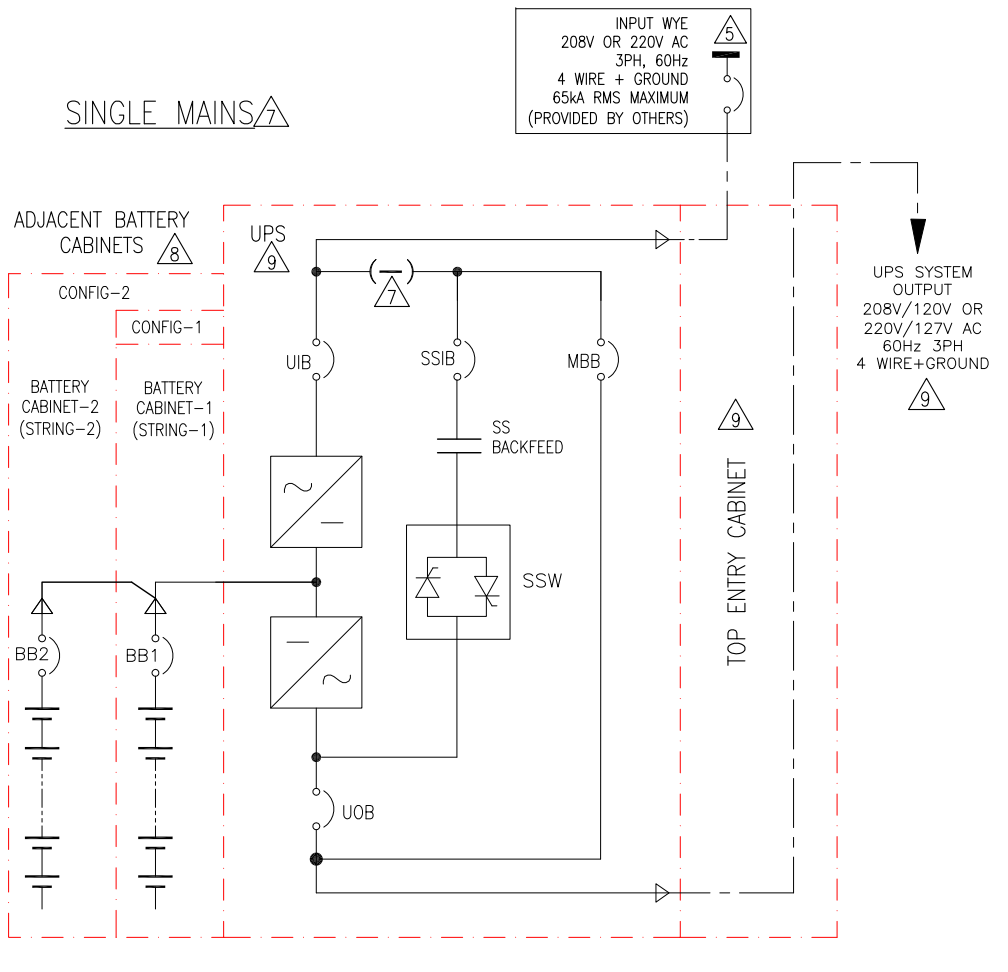
THIS DRAWING AND SPECIFICATIONS HEREIN ARE THE PROPERTY OF SCHNEIDER ELECTRIC AND SHALL NOT BE COPIED, REPRODUCED OR USED IN WHOLE OR IN PART, AS THE BASIS FOR THE MANUFACTURE OR SALE OF ITEMS WITHOUT WRITTEN PERMISSION FROM SCHNEIDER ELECTRIC. THIS DRAWING IS BASED UPON LATEST AVAILABLE INFORMATION AND IS SUBJECT TO CHANGE WITHOUT NOTICE.



TITLE: GUTOR PXC	
Input: 208V / 220V AC 3PH SINGLE/DUAL MAINS	
Output: 208V/220V AC 3PH 25/37.5/50 kW	
1 MOD UPS BOT ENTRY W REMOTE BATT. CABINETS	
SYSTEM ONE LINE DIAGRAM	
PROJECT: DRAWINGS	SHEET 2 OF 7

DWG NO: GUPXC25K50FTBBC1-SD	REV. 1
DRAWN BY: BALAMURUGAN	11-JAN-18
ENGINEER: W WATKINS/A SINGH	12-JAN-18
APPROVED BY: I K / N B	12-JAN-18
	ANGLE PROJECTION N. Δ

TOP ENTRY WITH ADJACENT BATTERY CABINETS



- NOTES:**
1. INSTALLATION SHALL COMPLY WITH ALL APPLICABLE NATIONAL, STATE AND LOCAL CODES.
 2. REFER TO PRODUCT DOCUMENTATION FOR ADDITIONAL DETAILS PRIOR TO INSTALLATION AND SITE PREPARATION WORK.
 3. DRAWING DEPICTS POWER SYSTEM CONNECTIONS AND IS NOT REPRESENTATIVE OF PHYSICAL LAYOUT, PLEASE REFER TO MECHANICAL DRAWINGS FOR PHYSICAL LAYOUT.
 4. MAXIMUM SHORT CIRCUIT CURRENT IS 65ka.
 5. SINGLE MAINS: INPUT TO BE 208V OR 220V AC 3PH WYE 4 WIRE+GROUND, EITHER SOLIDLY OR HIGH RESISTANCE GROUNDED, (CONTACT Schneider Electric IF OTHER).
DUAL MAINS: MAINS INPUT TO BE 208V OR 220V AC 3PH WYE 3 WIRE+GROUND,
BYPASS INPUT TO BE 208V OR 220V AC 3PH WYE 4 WIRE+GROUND, EITHER SOLIDLY OR HIGH RESISTANCE GROUNDED, (CONTACT Schneider Electric IF OTHER).
 6. CABLE LUGS ARE NOT PROVIDED.
 7. DUAL MAINS CONFIGURATION IS A DEFAULT. FOR SINGLE MAINS CONFIGURATION USE SINGLE MAINS KIT (0M-99058) SUPPLIED WITH THE UPS. REFER TO INSTALLATION MANUAL.
 8. TWO BATTERY CABINETS SHOWN, MAXIMUM OF 3 BATTERY CABINETS CAN BE BAYED WITH UPS. FOR RUNTIME DETAILS REFER TO INSTALLATION MANUAL OR CONTACT SCHNEIDER ELECTRIC.
 9. FOR TECHNICAL SPECIFICATION, SKU NUMBERS ETC., REFER TO SHEET-7.
 10. Schneider Electric RECOMMENDS TEMPERATURE RATING OF CONDUCTORS AT 90°C(194°F), REFERENCE TABLE 310.15(B)(16) OF NEC 75°C COLUMN, USE STANDARD COPPER CONDUCTORS (75°C(167°F) CABLE TERMINAL CONNECTORS ASSUMED).

LEGEND:
AC CABLE (PROVIDED BY OTHERS)

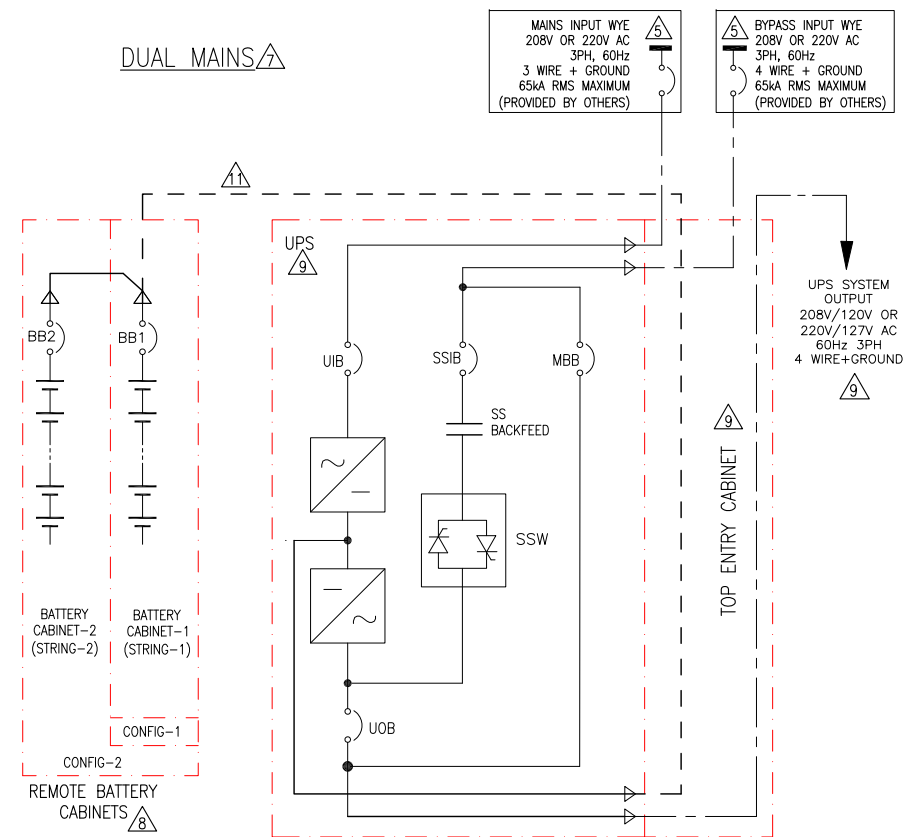
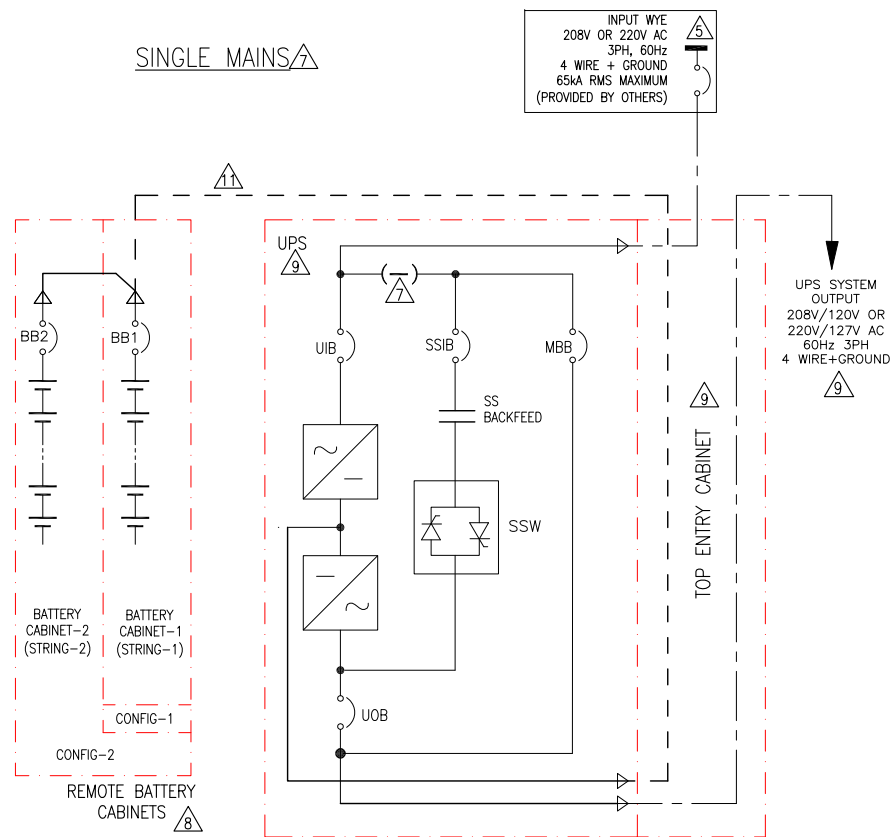
THIS DRAWING AND SPECIFICATIONS HEREIN ARE THE PROPERTY OF SCHNEIDER ELECTRIC AND SHALL NOT BE COPIED, REPRODUCED OR USED IN WHOLE OR IN PART, AS THE BASIS FOR THE MANUFACTURE OR SALE OF ITEMS WITHOUT WRITTEN PERMISSION FROM SCHNEIDER ELECTRIC. THIS DRAWING IS BASED UPON LATEST AVAILABLE INFORMATION AND IS SUBJECT TO CHANGE WITHOUT NOTICE.



TITLE:	GUTOR PXC Input: 208V / 220V AC 3PH SINGLE/DUAL MAINS Output: 208V/220V AC 3PH 25/37.5/50 kW 1 MODULE UPS TOP ENTRY W/ ADJ. BATT CABINETS SYSTEM ONE LINE DIAGRAM
PROJECT:	DRAWINGS
SHEET:	3 OF 7

DWG NO:	GUPXC25K50FTBBC1-SD	REV.	1
DRAWN BY:	BALAMURUGAN	11-JAN-18	ANGLE
ENGINEER:	W WATKINS/A SINGH	12-JAN-18	PROJECTION
APPROVED BY:	I K / N B	12-JAN-18	N.A

TOP ENTRY WITH REMOTE BATTERY CABINETS



NOTES:

1. INSTALLATION SHALL COMPLY WITH ALL APPLICABLE NATIONAL, STATE AND LOCAL CODES.
2. REFER TO PRODUCT DOCUMENTATION FOR ADDITIONAL DETAILS PRIOR TO INSTALLATION AND SITE PREPARATION WORK.
3. DRAWING DEPICTS POWER SYSTEM CONNECTIONS AND IS NOT REPRESENTATIVE OF PHYSICAL LAYOUT, PLEASE REFER TO MECHANICAL DRAWINGS FOR PHYSICAL LAYOUT.
4. MAXIMUM SHORT CIRCUIT CURRENT IS 65kA.
- △5. SINGLE MAINS: INPUT TO BE 208V OR 220V AC 3PH WYE 4 WIRE+GROUND, EITHER SOLIDLY OR HIGH RESISTANCE GROUNDING, (CONTACT Schneider Electric IF OTHER).
DUAL MAINS: MAINS INPUT TO BE 208V OR 220V AC 3PH WYE 3 WIRE+GROUND,
BYPASS INPUT TO BE 208V OR 220V AC 3PH WYE 4 WIRE+GROUND, EITHER SOLIDLY OR HIGH RESISTANCE GROUNDING, (CONTACT Schneider Electric IF OTHER).
6. CABLE LUGS ARE NOT PROVIDED.
- △7. DUAL MAINS CONFIGURATION IS A DEFAULT. FOR SINGLE MAINS CONFIGURATION USE SINGLE MAINS KIT (0M-99058) SUPPLIED WITH THE UPS. REFER TO INSTALLATION MANUAL.
- △8. TWO BATTERY CABINETS SHOWN, MAXIMUM OF 3 BATTERY CABINETS CAN BE BAYED. FOR RUNTIME DETAILS REFER TO INSTALLATION MANUAL OR CONTACT SCHNEIDER ELECTRIC.
- △9. FOR TECHNICAL SPECIFICATION, SKU NUMBERS ETC., REFER TO SHEET-7.
10. Schneider Electric RECOMMENDS TEMPERATURE RATING OF CONDUCTORS AT 90°C(194°F), REFERENCE TABLE 310.15(B)(16) OF NEC 75°C COLUMN, USE STANDARD COPPER CONDUCTORS (75°C(167°F) CABLE TERMINAL CONNECTORS ASSUMED).
- △11. Schneider Electric RECOMMENDS ALL CABLES SHALL BE SIZED IN ACCORDANCE WITH ARTICLE 210-19 OF NEC (FEEDER VOLTAGE DROP OF 3%). CONSULT YOUR LICENSED ENGINEER OF RECORDS FOR SITE-SPECIFIC *10MS/LR TIME CONSTANT CALCULATIONS FOR OVER-CURRENT PROTECTION AND BATTERY RUNTIMES.

LEGEND:

- AC CABLE (PROVIDED BY OTHERS)
- - - 500VDC CABLE (PROVIDED BY OTHERS)

THIS DRAWING AND SPECIFICATIONS HEREIN ARE THE PROPERTY OF SCHNEIDER ELECTRIC AND SHALL NOT BE COPIED, REPRODUCED OR USED IN WHOLE OR IN PART, AS THE BASIS FOR THE MANUFACTURE OR SALE OF ITEMS WITHOUT WRITTEN PERMISSION FROM SCHNEIDER ELECTRIC. THIS DRAWING IS BASED UPON LATEST AVAILABLE INFORMATION AND IS SUBJECT TO CHANGE WITHOUT NOTICE.



TITLE: GUTOR PXC
Input: 208V / 220V AC 3PH SINGLE/DUAL MAINS
Output: 208V/220V AC 3PH 25/37.5/50 kW
1 MODULE UPS TOP ENTRY W/REMOTE BATT. CABINETS
SYSTEM ONE LINE DIAGRAM

PROJECT: DRAWINGS **SHEET:** 4 OF 7

DWG NO: GUPXC25K50FTBBC1-SD **REV.** 1

DRAWN BY: BALAMURUGAN 11-JAN-18 **ANGLE**

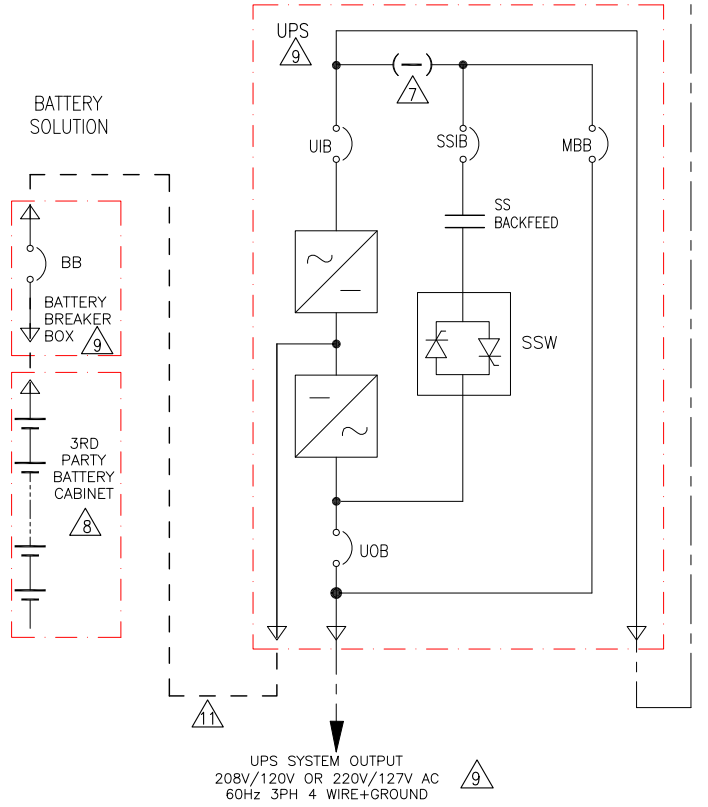
ENGINEER: W WATKINS/A SINGH 12-JAN-18 **PROJECTION**

APPROVED BY: I K / N B 12-JAN-18 **N. A.**

BOTTOM ENTRY WITH 3RD PARTY BATTERY CABINETS

SINGLE MAINS

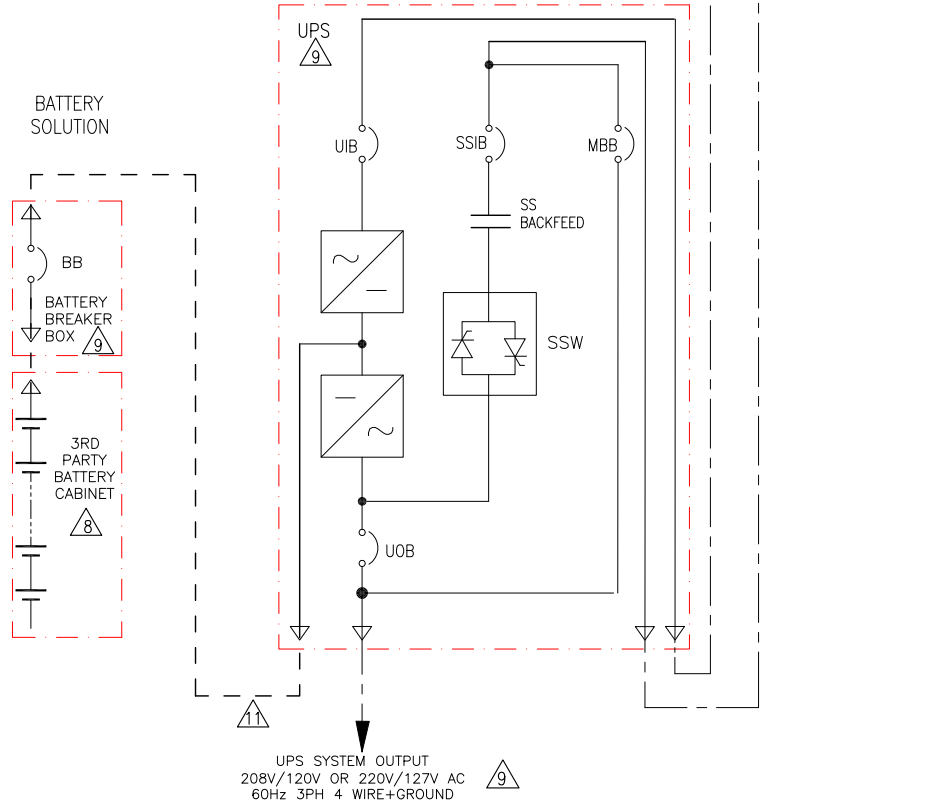
INPUT WYE
208V OR 220V AC
3PH, 60Hz
4 WIRE + GROUND
65kA RMS MAXIMUM
(PROVIDED BY OTHERS)



DUAL MAINS

MAINS INPUT WYE
208V OR 220V AC
3PH, 60Hz
3 WIRE + GROUND
65kA RMS MAXIMUM
(PROVIDED BY OTHERS)

BYPASS INPUT WYE
208V OR 220V AC
3PH, 60Hz
4 WIRE + GROUND
65kA RMS MAXIMUM
(PROVIDED BY OTHERS)



NOTES:

1. INSTALLATION SHALL COMPLY WITH ALL APPLICABLE NATIONAL, STATE AND LOCAL CODES.
2. REFER TO PRODUCT DOCUMENTATION FOR ADDITIONAL DETAILS PRIOR TO INSTALLATION AND SITE PREPARATION WORK.
3. DRAWING DEPICTS POWER SYSTEM CONNECTIONS AND IS NOT REPRESENTATIVE OF PHYSICAL LAYOUT, PLEASE REFER TO MECHANICAL DRAWINGS FOR PHYSICAL LAYOUT.
4. MAXIMUM SHORT CIRCUIT CURRENT IS 65kA.
- △5. SINGLE MAINS: INPUT TO BE 208V OR 220V AC 3PH WYE 4 WIRE+GROUND, EITHER SOLIDLY OR HIGH RESISTANCE GROUNDED, (CONTACT Schneider Electric IF OTHER).
DUAL MAINS: MAINS INPUT TO BE 208V OR 220V AC 3PH WYE 3 WIRE+GROUND, EITHER SOLIDLY OR HIGH RESISTANCE GROUNDED, (CONTACT Schneider Electric IF OTHER).
BYPASS INPUT TO BE 208V OR 220V AC 3PH WYE 4 WIRE+GROUND, EITHER SOLIDLY OR HIGH RESISTANCE GROUNDED, (CONTACT Schneider Electric IF OTHER).
6. CABLE LUGS ARE NOT PROVIDED.
- △7. DUAL MAINS CONFIGURATION IS A DEFAULT. FOR SINGLE MAINS CONFIGURATION USE SINGLE MAINS KIT (0M-99058) SUPPLIED WITH THE UPS. REFER TO INSTALLATION MANUAL.
- △8. MAXIMUM THREE STRINGS CAN BE CONNECTED. ONLY ONE STRING SHOWN FOR ILLUSTRATION PURPOSE.
- △9. FOR TECHNICAL SPECIFICATION, SKU NUMBERS ETC., REFER TO SHEET-7.
10. Schneider Electric RECOMMENDS TEMPERATURE RATING OF CONDUCTORS AT 90°C(194°F), REFERENCE TABLE 310.15(B)(16) OF NEC 75°C COLUMN, USE STANDARD COPPER CONDUCTORS (75°C(167°F) CABLE TERMINAL CONNECTORS ASSUMED).
- △11. Schneider Electric RECOMMENDS ALL CABLES SHALL BE SIZED IN ACCORDANCE WITH ARTICLE 210-19 OF NEC (FEEDER VOLTAGE DROP OF 3%). CONSULT YOUR LICENSED ENGINEER OF RECORDS FOR SITE-SPECIFIC *10MS/LR TIME CONSTANT CALCULATIONS FOR OVER-CURRENT PROTECTION AND BATTERY RUNTIMES.

LEGEND:	
— — — — —	AC CABLE (PROVIDED BY OTHERS)
- - - - -	500VDC CABLE (PROVIDED BY OTHERS)

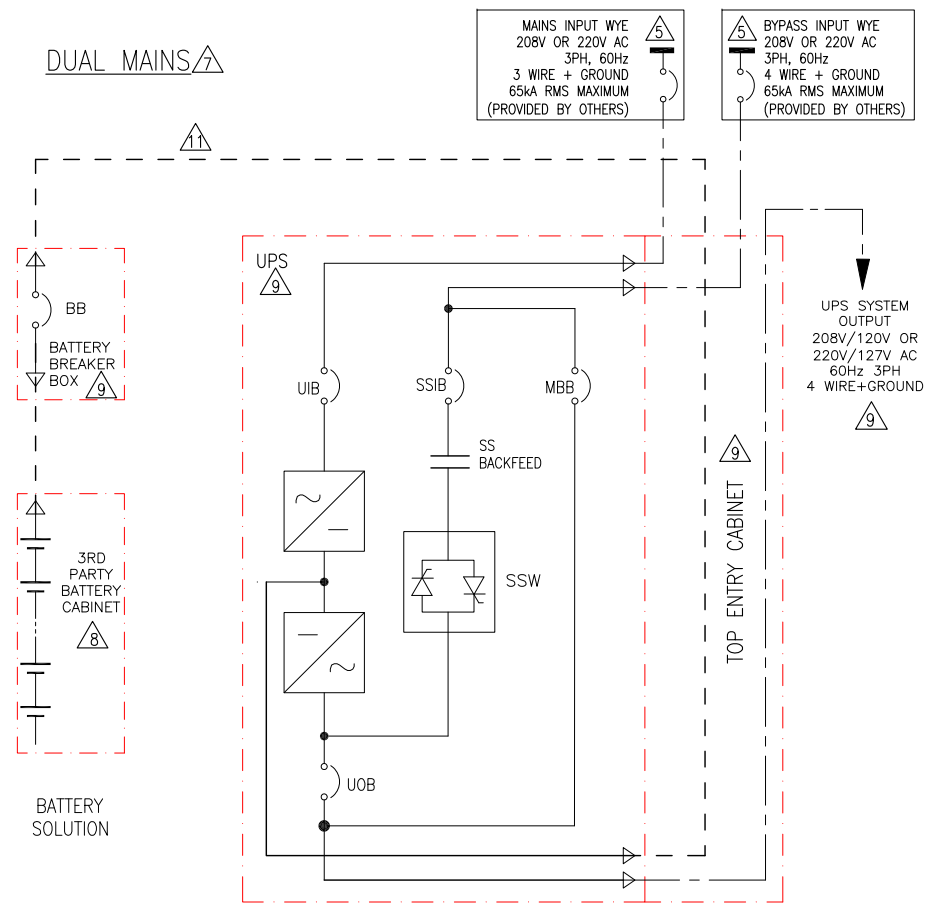
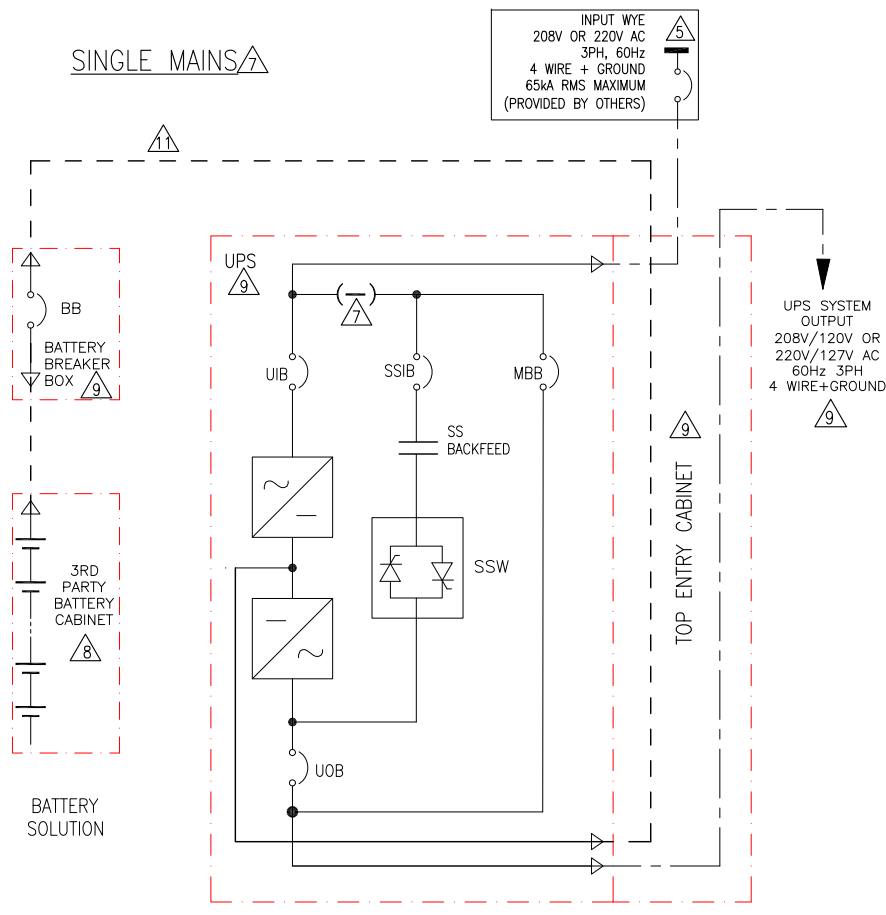
THIS DRAWING AND SPECIFICATIONS HEREIN ARE THE PROPERTY OF SCHNEIDER ELECTRIC AND SHALL NOT BE COPIED, REPRODUCED OR USED IN WHOLE OR IN PART, AS THE BASIS FOR THE MANUFACTURE OR SALE OF ITEMS WITHOUT WRITTEN PERMISSION FROM SCHNEIDER ELECTRIC. THIS DRAWING IS BASED UPON LATEST AVAILABLE INFORMATION AND IS SUBJECT TO CHANGE WITHOUT NOTICE.



TITLE: GUTOR PXC Input: 208V / 220V AC 3PH SINGLE/DUAL MAINS Output: 208V/220V AC 3PH 25/37.5/50 kW 1 MODULE UPS BOT ENTRY W/3RD PARTY BATT. CABINETS SYSTEM ONE LINE DIAGRAM
PROJECT: DRAWINGS SHEET 5 OF 7

DWG NO: GUPXC25K50FTBBC1-SD	REV. 1
DRAWN BY: BALAMURUGAN	11-JAN-18
ENGINEER: W WATKINS/A SINGH	12-JAN-18
APPROVED BY: I K / N B	12-JAN-18
ANGLE	PROJECTION
N	△

TOP ENTRY WITH 3RD PARTY BATTERY CABINETS



- NOTES:**
- INSTALLATION SHALL COMPLY WITH ALL APPLICABLE NATIONAL, STATE AND LOCAL CODES.
 - REFER TO PRODUCT DOCUMENTATION FOR ADDITIONAL DETAILS PRIOR TO INSTALLATION AND SITE PREPARATION WORK.
 - DRAWING DEPICTS POWER SYSTEM CONNECTIONS AND IS NOT REPRESENTATIVE OF PHYSICAL LAYOUT, PLEASE REFER TO MECHANICAL DRAWINGS FOR PHYSICAL LAYOUT.
 - MAXIMUM SHORT CIRCUIT CURRENT IS 65kA.
 - △5.** SINGLE MAINS: INPUT TO BE 208V OR 220V AC 3PH WYE 4 WIRE+GROUND, EITHER SOLIDLY OR HIGH RESISTANCE GROUNDING, (CONTACT Schneider Electric IF OTHER).
DUAL MAINS: MAINS INPUT TO BE 208V OR 220V AC 3PH WYE 3 WIRE+GROUND,
BYPASS INPUT TO BE 208V OR 220V AC 3PH WYE 4 WIRE+GROUND, EITHER SOLIDLY OR HIGH RESISTANCE GROUNDING, (CONTACT Schneider Electric IF OTHER).
 - CABLE LUGS ARE NOT PROVIDED.
 - △7.** DUAL MAINS CONFIGURATION IS A DEFAULT. FOR SINGLE MAINS CONFIGURATION USE SINGLE MAINS KIT (0M-99058) SUPPLIED WITH THE UPS. REFER TO INSTALLATION MANUAL.
 - △8.** MAXIMUM THREE STRINGS CAN BE CONNECTED. ONLY ONE STRING SHOWN FOR ILLUSTRATION PURPOSE.
 - △9.** FOR TECHNICAL SPECIFICATION, SKU NUMBERS ETC., REFER TO SHEET-7.
 - Schneider Electric RECOMMENDS TEMPERATURE RATING OF CONDUCTORS AT 90°C(194°F), REFERENCE TABLE 310.15(B)(16) OF NEC 75°C COLUMN, USE STANDARD COPPER CONDUCTORS (75°C(167°F) CABLE TERMINAL CONNECTORS ASSUMED).
 - △11.** Schneider Electric RECOMMENDS ALL CABLES SHALL BE SIZED IN ACCORDANCE WITH ARTICLE 210-19 OF NEC (FEEDER VOLTAGE DROP OF 3%). CONSULT YOUR LICENSED ENGINEER OF RECORDS FOR SITE-SPECIFIC *10MS/LR TIME CONSTANT CALCULATIONS FOR OVER-CURRENT PROTECTION AND BATTERY RUNTIMES.

LEGEND:

	AC CABLE (PROVIDED BY OTHERS)
	500VDC CABLE (PROVIDED BY OTHERS)

THIS DRAWING AND SPECIFICATIONS HEREIN ARE THE PROPERTY OF SCHNEIDER ELECTRIC AND SHALL NOT BE COPIED, REPRODUCED OR USED IN WHOLE OR IN PART, AS THE BASIS FOR THE MANUFACTURE OR SALE OF ITEMS WITHOUT WRITTEN PERMISSION FROM SCHNEIDER ELECTRIC. THIS DRAWING IS BASED UPON LATEST AVAILABLE INFORMATION AND IS SUBJECT TO CHANGE WITHOUT NOTICE.



TITLE:	GUTOR PXC
Input:	208V / 220V AC 3PH SINGLE/DUAL MAINS
Output:	208V/220V AC 3PH 25/37.5/50 kW
1 MODULE UPS TOP ENTRY W/3RD PARTY BATT. CABINETS SYSTEM ONE LINE DIAGRAM	
PROJECT:	DRAWINGS
SHEET	6 OF 7

DWG NO:	GUPXC25K50FTBBC1-SD	REV.	1
DRAWN BY:	BALAMURUGAN	11-JAN-18	ANGLE
ENGINEER:	W WATKINS/A SINGH	12-JAN-18	PROJECTION
APPROVED BY:	I K / N B	12-JAN-18	N. A

GUTOR PXC 1 MODULE SITE PLANNING DATA

UPS RATING (kVA/kW)	UPS SKU NUMBER	QTY. OF 12.5kW POWER MODULES	INPUT/ OUTPUT VOLTAGE (V)	INPUT				BYPASS AND OUTPUT			BATTERY			
				NOMINAL CURRENT (A)	MAXIMUM CURRENT (A)	UIB & RECOMMENDED EXTERNAL UPSTREAM OCPD (80% RATED)		NOMINAL CURRENT (A)	SSIB, MBB, UOB & RECOMMENDED EXTERNAL OUPUT OCPD (80% RATED)		FULL LOAD CURRENT @NOMINAL VOLTAGE (384V DC) (A)	FULL LOAD CURRENT @EOD VOLTAGE (321V DC) (A)	BB RATING	BATTERY BREAKER PART NUMBER (MAKE: SCHNEIDER ELECTRIC)
						TRIP / FRAME RATING	PART NUMBER (MAKE: SCHNEIDER ELECTRIC)		TRIP / FRAME RATING	PART NUMBER (MAKE: SCHNEIDER ELECTRIC)				
25	GUPXC25FS	2	208 / 208	75	91	125AT / 150AF	HGL36125	69	90AT / 150AF	HGF36090	69	83	150AT / 250AF	JLL37150D81
			220 / 220	71	86			66						
37.5	GUPXC37FS	3	208 / 208	112	137	175AT / 250AF	JGL36175	104	150AT / 250AF	JGL36150	104	124	150AT / 250AF	JLL37150D81
			220 / 220	106	129			98						
50	GUPXC50FS	4	208 / 208	149	182	225AT / 250AF	JGL36225	139	175AT / 250AF	JGL36175	138	165	200AT / 250AF	JLL37200D82
			220 / 220	141	172			131						

NOTES:

1. INSTALLATION SHALL COMPLY WITH ALL APPLICABLE NATIONAL, STATE AND LOCAL CODES.
2. REFER TO PRODUCT DOCUMENTATION FOR ADDITIONAL DETAILS PRIOR TO INSTALLATION AND SITE PREPARATION WORK.
3. FOR BATTERY RUNTIME DATA REFER TO INSTALLATION MANUAL.
4. NOMINAL INPUT CURRENT BASED ON NOMINAL MAINS VOLTAGE + BATTERIES FULLY CHARGED AT RATED LOAD.
5. MAXIMUM INPUT CURRENT BASED ON FULL BATTERY RECHARGE + NOMINAL MAINS VOLTAGE AT RATED LOAD.
6. SUGGESTED INPUT OCPD BASED ON CONTINUOUS LOAD (OCPD = OVER CURRENT PROTECTION DEVICE).
7. FINAL SELECTIONS ARE RESPONSIBILITY OF ENGINEER OF RECORDS BASED ON INSTALLED CONDITIONS AND SHORT CIRCUIT CURRENT /SELECTIVE CO-ORDINATION/ ARC-FLASH ANALYSIS.
8. SKU NUMBER FOR TOP ENTRY CABINET: GUPXCAT
9. SKU NUMBERS FOR BATTERY BREAKER BOX: GUPXCD37B FOR 25kVA UPS & 37.5kVA UPS, GUPXCD50B FOR 50kVA UPS
10. POWER AND CONTROL WIRING SHOULD BE SEGREGATED.

THIS DRAWING AND SPECIFICATIONS HEREIN ARE THE PROPERTY OF SCHNEIDER ELECTRIC AND SHALL NOT BE COPIED, REPRODUCED OR USED IN WHOLE OR IN PART, AS THE BASIS FOR THE MANUFACTURE OR SALE OF ITEMS WITHOUT WRITTEN PERMISSION FROM SCHNEIDER ELECTRIC. THIS DRAWING IS BASED UPON LATEST AVAILABLE INFORMATION AND IS SUBJECT TO CHANGE WITHOUT NOTICE.



TITLE: GUTOR PXC
 Input: 208V / 220V AC 3PH SINGLE/DUAL MAINS
 Output: 208V/220V AC 3PH 25/37.5/50 kW
 1 MODULE UPS WITH BATTERY SOLUTION
 SITE PLANNING DATA
 PROJECT: DRAWINGS SHEET 7 OF 7

DWG NO: GUPXC25K50FTBBC1-SD REV. 0
 DRAWN BY: BALAMURUGAN 13-DEC-16 ANGLE
 ENGINEER: W WATKINS/A SINGH 14-DEC-17 PROJECTION
 APPROVED BY: I K / N B 14-DEC-17 N.A.