

NOTES:

1. INSTALLATION MUST COMPLY WITH ALL APPLICABLE NATIONAL, STATE AND LOCAL ELECTRICAL REGULATIONS.
2. PLEASE REFER TO PRODUCT MANUALS FOR ADDITIONAL DETAILS PRIOR TO INSTALLATION AND SITE PREPARATION WORK.
3. DRAWING DEPICTS POWER SYSTEM CONNECTIONS AND IS NOT REPRESENTATIVE OF PHYSICAL LAYOUT, PLEASE REFER TO MECHANICAL DRAWINGS FOR PHYSICAL LAYOUT.
- △ 4. 3x400/230V TN-S (PROVIDED BY OTHERS). FOR OTHER (TN-C, TN-C-S, TT, IT) EARTHING PRINCIPLES, PLEASE CONTACT Schneider Electric. RECOMMENDED UPSTREAM PROTECTION IS A MINIMUM RATING TO SUPPORT MAXIMUM CURRENT, WITHOUT SELECTIVITY. IF SELECTIVITY IS REQUIRED, PLEASE CONTACT Schneider Electric.
5. ALL AC POWER CABLING IS L1, L2, L3, N, PE.
6. DUAL MAINS CONFIGURATION IS A DEFAULT. FOR SINGLE MAINS INPUT PLEASE REFER SHEET-2.
7. UPS INPUT AND OUTPUT CABLES SHOULD BE SEGREGATED.
8. POWER WIRING AND CONTROL WIRING SHOULD BE SEGREGATED.
- △ 9. FOR SYSTEM INPUT OVER CURRENT PROTECTION REFER TO SHEET-3.
- △ 10. FOR SKU NUMBERS/RATINGS REFER TO SHEET-3.
- △ 11. TRANSFORMER RATING
 - 40KVA FOR UPS RATING 20/30/40KVA.
 - 60KVA FOR UPS RATING 60KVA.

DEVICE RATING FOR 150kVA- EXTERNAL BYPASS CABINET					
Q4S,Q3BP,Q5N	250A 690V AC	SWITCH DISCONNECT 4 POLE	SCHNEIDER ELECTRIC	INS250 INTERPACT	1 NO A UX CONTACT

RATED SHORT CIRCUIT CURRENT-UPS

WITH INPUT FUSES	WITH INPUT BREAKERS
20kA SYMMETRICAL	20kA SYMMETRICAL

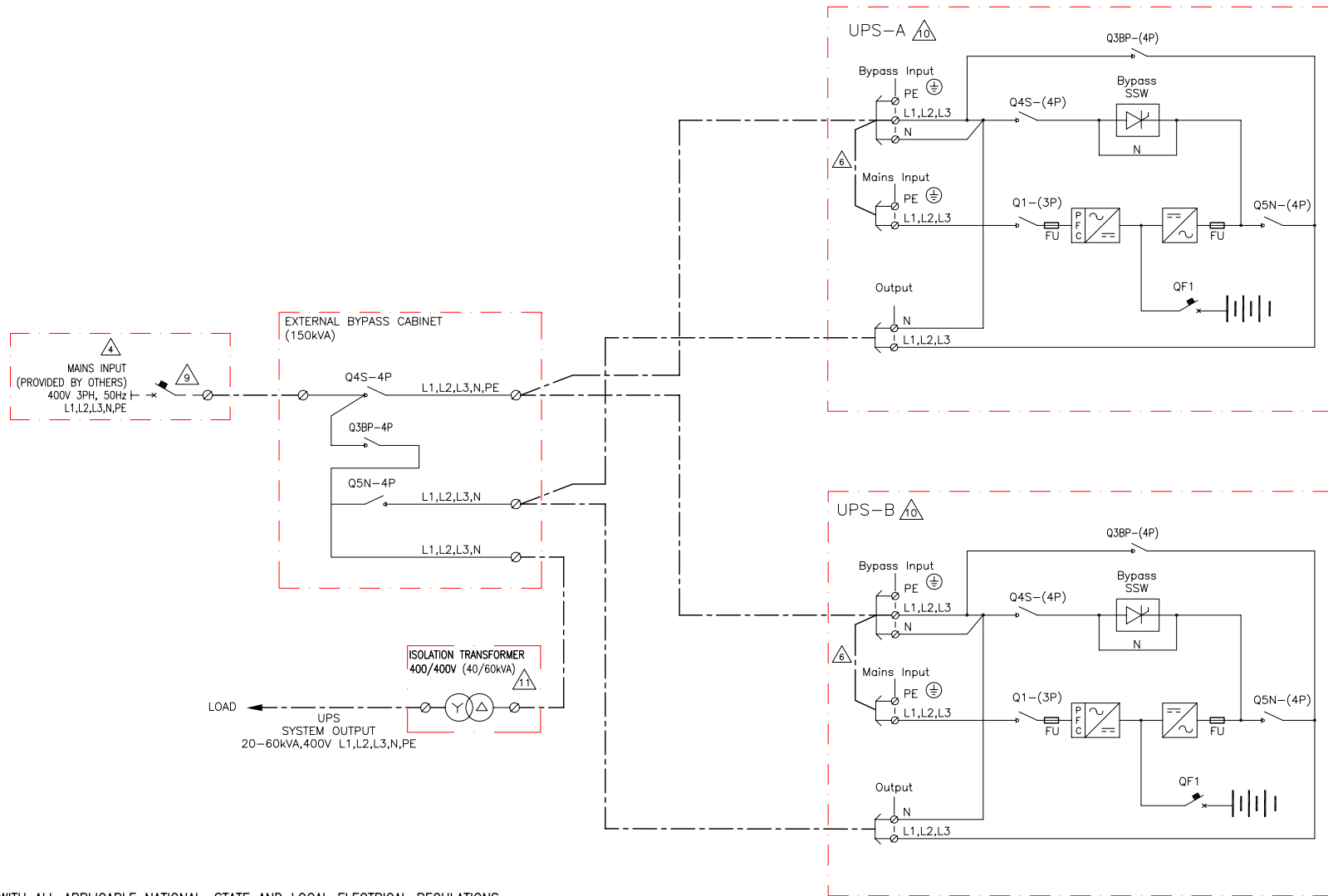
LEGEND:
 - - - - - AC CABLE - PROVIDED BY OTHERS.

THIS DRAWING AND SPECIFICATIONS HEREIN ARE THE PROPERTY OF SCHNEIDER ELECTRIC AND SHALL NOT BE COPIED, REPRODUCED OR USED IN WHOLE OR IN PART, AS THE BASIS FOR THE MANUFACTURE OR SALE OF ITEMS WITHOUT WRITTEN PERMISSION FROM SCHNEIDER ELECTRIC. THIS DRAWING IS BASED UPON LATEST AVAILABLE INFORMATION AND IS SUBJECT TO CHANGE WITHOUT NOTICE.



TITLE: MGE GALAXY 5500
 Input: 400V AC 3PH DUAL MAINS
 Output: 400V AC 3PH 20-60KVA
 2 MOD(N+1) WITH EB, INTERNAL BATTERIES
 DUAL MAINS-SYSTEM ONE LINE DIAGRAM
PROJECT: DRAWINGS SHEET 1 OF 3

DWG NO: G55T20K60HA10BOTR2-SD
ENGINEER: Y NGUYEN
APPROVED: J CAMPBELL/C LARSEN
REV: 0
DATE: 15-JUN-12
ANGLE PROJECTION: N/A



NOTES:

1. INSTALLATION MUST COMPLY WITH ALL APPLICABLE NATIONAL, STATE AND LOCAL ELECTRICAL REGULATIONS.
2. PLEASE REFER TO PRODUCT MANUALS FOR ADDITIONAL DETAILS PRIOR TO INSTALLATION AND SITE PREPARATION WORK.
3. DRAWING DEPICTS POWER SYSTEM CONNECTIONS AND IS NOT REPRESENTATIVE OF PHYSICAL LAYOUT, PLEASE REFER TO MECHANICAL DRAWINGS FOR PHYSICAL LAYOUT.
- △ 4. 3x400/230V TN-S (PROVIDED BY OTHERS). FOR OTHER (TN-C, TN-C-S, TT, IT) EARTHING PRINCIPLES, PLEASE CONTACT Schneider Electric. RECOMMENDED UPSTREAM PROTECTION IS A MINIMUM RATING TO SUPPORT MAXIMUM CURRENT, WITHOUT SELECTIVITY. IF SELECTIVITY IS REQUIRED, PLEASE CONTACT Schneider Electric.
5. ALL AC POWER CABLING IS L1, L2, L3, N, PE.
- △ 6. APPLICABLE ONLY FOR SINGLE MAINS INPUT, CABLING PROVIDED BY OTHERS. DUAL MAINS CONFIGURATION IS A DEFAULT.
7. UPS INPUT AND OUTPUT CABLES SHOULD BE SEGREGATED.
8. POWER WIRING AND CONTROL WIRING SHOULD BE SEGREGATED.
- △ 9. FOR SYSTEM INPUT OVER CURRENT PROTECTION REFER TO SHEET-3.
- △ 10. FOR SKU NUMBERS/RATINGS REFER TO SHEET-3.
- △ 11. TRANSFORMER RATING
 - 40KVA FOR UPS RATING 20/30/40KVA.
 - 60KVA FOR UPS RATING 60KVA.

DEVICE RATING FOR 150kVA- EXTERNAL BYPASS CABINET					
Q4S,Q3BP,Q5N	250A 690V AC	SWITCH DISCONNECT 4 POLE	SCHNEIDER ELECTRIC	INS250 INTERPACT	1 NO AUX CONTACT

RATED SHORT CIRCUIT CURRENT-UPS

WITH INPUT FUSES	WITH INPUT BREAKERS
20ka SYMMETRICAL	20ka SYMMETRICAL

LEGEND:

----- AC CABLE - PROVIDED BY OTHERS.

THIS DRAWING AND SPECIFICATIONS HEREIN ARE THE PROPERTY OF SCHNEIDER ELECTRIC AND SHALL NOT BE COPIED, REPRODUCED OR USED IN WHOLE OR IN PART, AS THE BASIS FOR THE MANUFACTURE OR SALE OF ITEMS WITHOUT WRITTEN PERMISSION FROM SCHNEIDER ELECTRIC. THIS DRAWING IS BASED UPON LATEST AVAILABLE INFORMATION AND IS SUBJECT TO CHANGE WITHOUT NOTICE.



TITLE: MGE GALAXY 5500
 Input: 400V AC 3PH SINGLE MAINS
 Output: 400V AC 3PH 20-60KVA
 2 MOD(N+1) WITH EB, INTERNAL BATTERIES
 SINGLE MAINS-SYSTEM ONE LINE DIAGRAM

DWG NO: G55T20K60HA10BOTR2-SD
 DRAWN: NAGESH S
 ENGINEER: Y NGUYEN

REV: 0
 15-JUN-12
 15-JUN-12
 15-JUN-12

Galaxy 5500® 20-60kVA UPS 2Module (N+1) Site Planning Data

Battery voltage when charged at 20 deg C:

Minimum Number of Cells=180, Ubat=408V (sealed lead acid); Ubat=396V (Vented lead acid)

Minimum Number of Cells=216, Ubat=490V (sealed lead acid); Ubat=486V (Vented lead acid)

Input Voltage : 400V AC, Output Voltage : 400V AC

UPS Rating	SKU Number	UPS Mains Input ¹		UPS Bypass Input ¹	UPS Output		Battery Discharge Current(A)		UPS - Recommended Over current Protection Device Ratings				UPS Mechanical Data			UPS Heat Loss (kW) ²³	Required air flow for UPS (m ³ /h)
		Nominal Current(A)	Maximum Current(A)	Nominal Current(A)	System output Power	Nominal Current(A)	Nominal Discharge Current (A)	Maximum Discharge Current (A)	UPS Upstream protection			UPS Downstream protection in reference with Upstream protection	Typical Dimensions H x W x D (mm) ¹⁴	Weight (Kg) ¹⁴	Floor Loading data in Kg/m ²		
									CB on separate Normal AC input (A)	CB on separate Bypass AC input (A)	CB on common Bypass and Normal AC input (A)						
20kVA/18kW	G55TUPSM20HB5S ²⁵	32	33	29	20kVA/18kW	29	55	68	C60L - 50A	NSX100F 4P-TM100D	NSX 100F 4P-TM100D	C60N C 16A/ C60N B 25A	1900x1112x850	1045	1105.59	1.61	1332
	G55TUPSM20HB5INS ²⁶																
	G55TUPSM20HB10S ²⁵																
	G55TUPSM20HB10INS ²⁶																
	G55TUPSM20HB15S ²⁵																
	G55TUPSM20HB15INS ²⁶																
	G55TUPSM20HB30S ²⁵																
G55TUPSM20HB30INS ²⁶																	
30kVA/27kW	G55TUPSM30HB5S ²⁵	45	46	44	30kVA/27kW	44	84	101	C60L - 63A	NSX 100F 4P-TM100D	NSX 100F 4P-TM100D	C60N C 16A/ C60N B 25A	1900x1112x850	1045	1105.59	2.03	1332
	G55TUPSM30HB5INS ²⁶																
	G55TUPSM30HB10S ²⁵																
	G55TUPSM30HB10INS ²⁶																
	G55TUPSM30HB15S ²⁵																
G55TUPSM30HB15INS ²⁶																	
40kVA/36kW	G55TUPSM40HB5S ²⁵	57	58	58	40kVA/36kW	58	112	135	NSX 100F 3P-TM80D	NSX 100F 4P-TM100D	NSX 100F 4P-TM100D	C60N C 16A/ C60N B 25A	1900x1112x850	1045	1105.59	2.68	1332
	G55TUPSM40HB5INS ²⁶																
	G55TUPSM40HB10S ²⁵																
	G55TUPSM40HB10INS ²⁶																
	G55TUPSM40HB15S ²⁵																
G55TUPSM40HB15INS ²⁶																	
60kVA/54kW	G55TUPSM60HB5S ²⁵	87	88	87	60kVA/54kW	87	170	203	NSX 160F 3P-TM125D	NSX 160F 4P-TM125D	NSX 160F 4P-TM125D	C60N C 20A/ C60N B 32A	1900x1112x850	1045	1105.59	4.26	1332
	G55TUPSM60HB5INS ²⁶																

Notes.

- Rated currents with battery float charging.
- At <150% for 10seconds.
- Input and bypass cables must be run in separate conduits from output cables. Not more than three conductors in raceway assumed; ambient temperature of 30°C (86°F) assumed.
- If initial load is less than UPS' rated output, it is recommended that AC input, battery, and AC output wiring and over current protection be sized to UPS' full load rating to accommodate possible future expansion.
- Only copper cables are considered.
- DC cables should be sized for a total maximum of less than 1% of CB rating.
- OCPD = Over current Protection Device. Recommended represents 125% of nominal full load current (continuous).
- Minimum-sized grounding conductors are recommended. Parity-sized ground conductors are recommended. Neutral conductors to be sized for full capacity.
- Wiring requirements:
 - AC Input/Output: 3Ø, 3 or 4 wire + ground, depending on UPS configuration.
 - See Installation Manual and submittal drawings for specific instructions.
 - DC Input: 2 wire (positive and negative) + ground
- All wiring to be in accordance with all applicable national and/or local electrical codes.
- Minimum access clearance per UPS drawings.
- The cable sizes are based on an environment with ambient max temperature of 35 degrees C.
- Control wiring and power wiring must be run in separate conduit.
- Weights and dimensions shown do not include battery cabinet(s) or other options
- Backup emergency generator must be properly sized for UPS application and equipped with an isochronous governor for frequency regulation, and a UPS-compatible voltage regulator for voltage stability.
- If site configuration requires an external maintenance bypass, phase parity between UPS input and UPS bypass must be ensured. Consult applications engineer.
- The terminals have minimum size requirements for cables.
- Each PFC or Boost pack contains a 63A fuse per phase. 10-20kVA Ups has one pack and 30-40kVA UPS has two packs.
- Average weight references installed weight with batteries.
- Temperature rating of conductors: 90°C (194°F), 75°C (167°F) cable terminal conductors assumed.
- Input : THDI < 3% at full load, <5% at 25-75%.
- Output : THDU ≤1% Phase to Phase, ≤1.5% Phase to Neutral for Linear Loads.
 - ≤2% Phase to Phase, ≤3.5% Phase to Neutral for Non Linear Loads.
- Heat losses refers to maximum loading and fully charged batteries
- Ratings of the cables and overcurrent devices supplied for information only. User to consult with their engineering services before adopting
- Applicable for IEC countries except Asia Pacific countries and Japan.
- Applicable for Asia Pacific countries and Japan.

EFFICIENCY DETAILS				
SYSTEM	25%LOAD	50%LOAD	75%LOAD	100%LOAD
20kVA 400V	76.51	86.78	89.53	91.42
30kVA 400V	83.45	89.73	91.66	92.37
40kVA 400V	85.86	91.56	92.43	92.65
60kVA 400V	89.73	92.58	92.73	92.47

THIS DRAWING AND SPECIFICATIONS HEREIN ARE THE PROPERTY OF SCHNEIDER ELECTRIC AND SHALL NOT BE COPIED, REPRODUCED OR USED IN WHOLE OR IN PART, AS THE BASIS FOR THE MANUFACTURE OR SALE OF ITEMS WITHOUT WRITTEN PERMISSION FROM SCHNEIDER ELECTRIC. THIS DRAWING IS BASED UPON LATEST AVAILABLE INFORMATION AND IS SUBJECT TO CHANGE WITHOUT NOTICE.



TITLE:	MGE GALAXY 5500 Input: 400V AC 3PH SINGLE/DUAL MAINS Output: 400V AC 3PH 20-60kVA 2 MOD(N+1) WITH EB, INTERNAL BATTERIES SITE PLANNING DATA	DWG NO:	G55T20K60HA10BOTR2-SD	REV.	0
PROJECT:	DRAWINGS	SHEET	3 OF 3	APPROVED:	J CAMPBELL/C LARSEN
DATE:	15-JUN-12	DATE:	15-JUN-12	DATE:	15-JUN-12
ENGINEER:	Y NGUYEN	DATE:	15-JUN-12	PROJECTION:	N/A
DRAWN:	NAGESH S	DATE:	15-JUN-12	ANGLE:	