

FRONT

- NOTES:
1. INSTALLATION SHALL COMPLY WITH ALL APPLICABLE NATIONAL AND LOCAL ELECTRICAL REGULATIONS.
  2. PLEASE REFER TO PRODUCT MANUALS FOR ADDITIONAL DETAILS.
  3. ALL DIMENSIONS ARE IN MILLIMETERS UNLESS OTHERWISE SPECIFIED.

THIS DRAWING AND SPECIFICATIONS HEREIN ARE THE PROPERTY OF SCHNEIDER ELECTRIC AND SHALL NOT BE COPIED, REPRODUCED OR USED IN WHOLE OR IN PART, AS THE BASIS FOR THE MANUFACTURE OR SALE OF ITEMS WITHOUT WRITTEN PERMISSION FROM SCHNEIDER ELECTRIC. THIS DRAWING IS BASED UPON LATEST AVAILABLE INFORMATION AND IS SUBJECT TO CHANGE WITHOUT NOTICE.



TITLE:  
MGE GALAXY 5500  
TRANSFORMER CABINET WITH SIDE PANELS  
60KVA, 400V  
ISOMETRIC VIEW

DWG NO: G55TTC60RH REV. 0

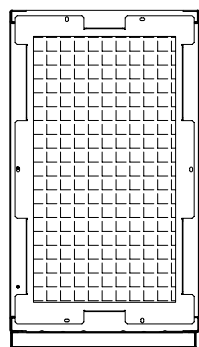
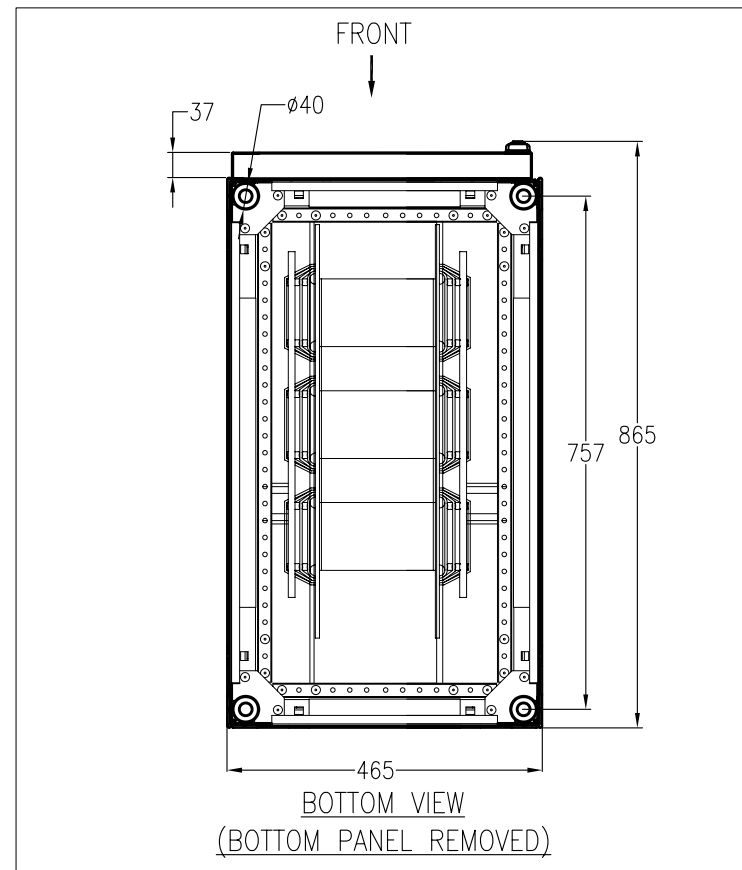
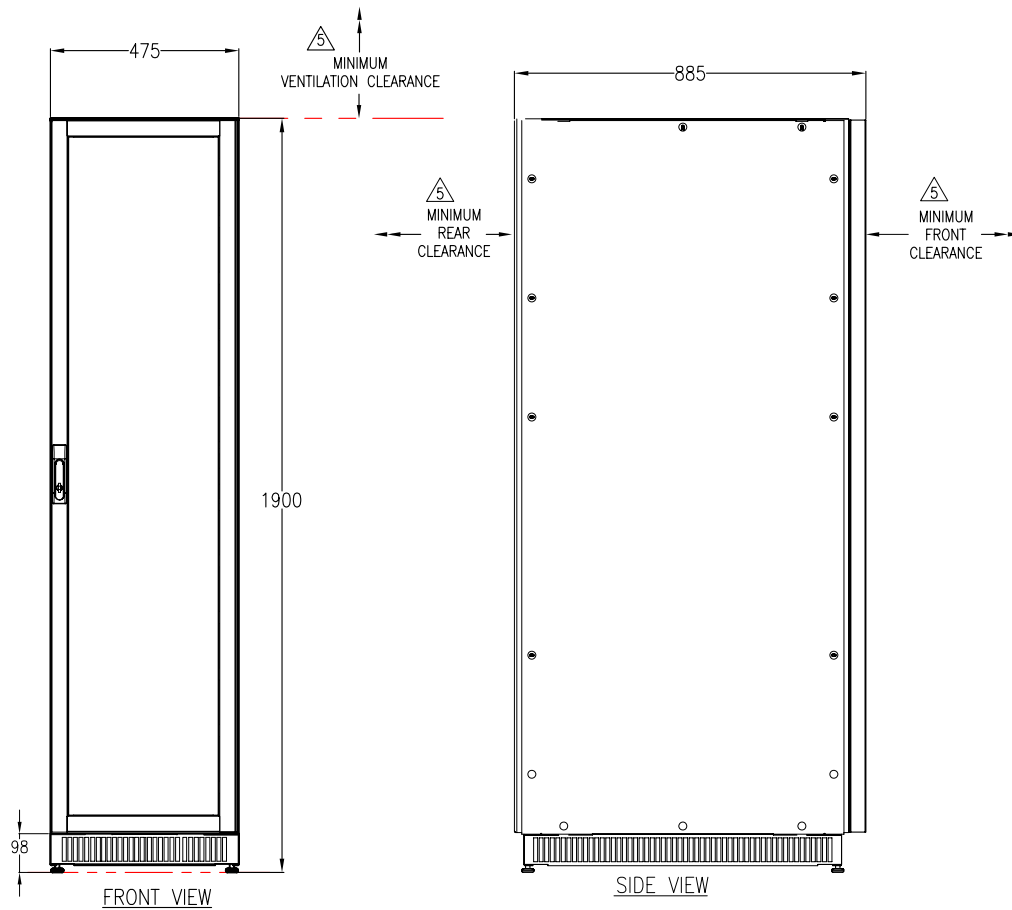
DRAWN: SHAHID ALI 25-JUN-12

ENGINEER: Y NGUYEN 25-JUN-12

APPROVED: J CAMPBELL/C LARSEN 25-JUN-12

PROJECT: SUBMITTAL DRAWINGS SHEET 1 OF 3

FIRST  
ANGLE  
PROJECTION



TOP VIEW

**NOTES:**

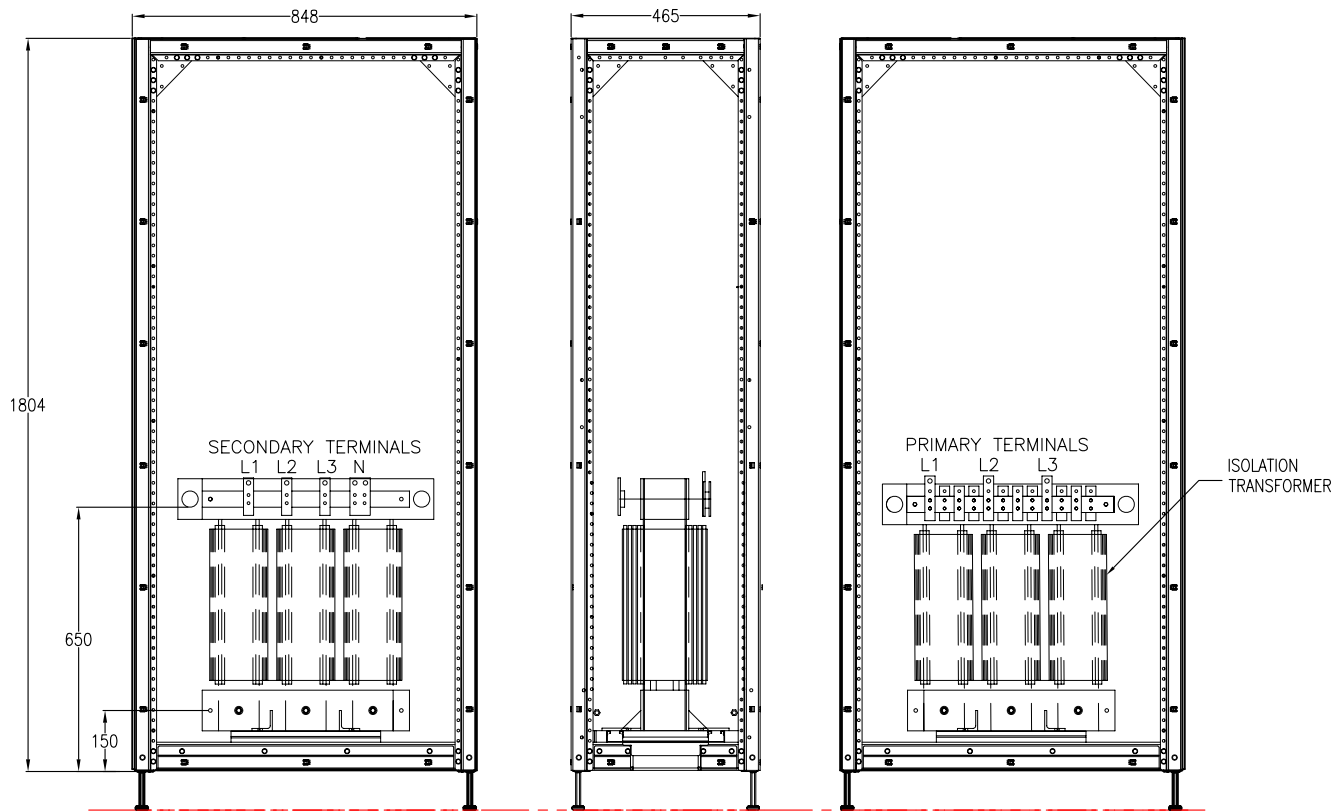
1. INSTALLATION SHALL COMPLY WITH ALL APPLICABLE NATIONAL AND LOCAL ELECTRICAL REGULATIONS.
2. PLEASE REFER TO PRODUCT MANUALS FOR ADDITIONAL DETAILS.
3. ALL DIMENSIONS ARE IN MILLIMETERS UNLESS OTHERWISE SPECIFIED.
4. COLOR: SILVER METALLIC, DARK GRAY.
- △ 5. RECOMMENDED CLEARANCE IS SUBJECT TO NATIONAL AND LOCAL CODES  
 914 RECOMMENDED FRONT CLEARANCE.  
 610 RECOMMENDED REAR CLEARANCE.  
 610 RECOMMENDED TOP CLEARANCE FOR VENTILATION.
6. OPERATING TEMPERATURE: 0°C MIN. TO 40°C MAX.  
 RECOMMENDED OPERATING RANGE: 15°C TO 25°C.
7. POWER CABLES SHALL BE IN SEPARATE CONDUITS FROM CONTROL AND COMMUNICATION CABLES.
8. CABINET SHIPPED WITHOUT SIDE PANELS AND SIDE AIR INTAKE COVERS. USE SIDE PANEL AND AIR INTAKE COVER FROM UPS WHEN END CABINET IN SYSTEM LINE-UP.
9. ENCLOSURE PROTECTION RATING IP20.
10. TOTAL WEIGHT OF THE UNIT IS 305 kg.

THIS DRAWING AND SPECIFICATIONS HEREIN ARE THE PROPERTY OF SCHNEIDER ELECTRIC AND SHALL NOT BE COPIED, REPRODUCED OR USED IN WHOLE OR IN PART, AS THE BASIS FOR THE MANUFACTURE OR SALE OF ITEMS WITHOUT WRITTEN PERMISSION FROM SCHNEIDER ELECTRIC. THIS DRAWING IS BASED UPON LATEST AVAILABLE INFORMATION AND IS SUBJECT TO CHANGE WITHOUT NOTICE.



TITLE:  
 MGE GALAXY 5500  
 TRANSFORMER CABINET WITH SIDE PANELS  
 60kVA, 400V  
 MAIN MECHANICAL  
 PROJECT: SUBMITTAL DRAWINGS SHEET 2 OF 3

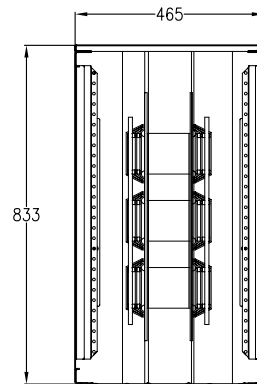
DWG NO:	G55TTC60RH		REV:	0
DRAWN:	SHAHID ALI	25-JUN-12	FIRST	ANGLE
ENGINEER:	Y NGUYEN	25-JUN-12	PROJECTION	
APPROVED:	J CAMPBELL/C LARSEN	25-JUN-12		



RIGHT SIDE VIEW  
WITHOUT COVERS & PANELS

FRONT VIEW  
WITHOUT COVERS & PANELS

LEFT SIDE VIEW  
WITHOUT COVERS & PANELS



TOP VIEW  
(ROOF COVER NOT SHOWN)

NOTES:

- 1.INSTALLATION SHALL COMPLY WITH ALL APPLICABLE NATIONAL AND LOCAL ELECTRICAL REGULATIONS.
- 2.PLEASE REFER TO PRODUCT MANUALS FOR ADDITIONAL DETAILS PRIOR TO INSTALLATION AND SITE PREPARATION WORK.
- 3.ALL DIMENSIONS ARE IN MILLIMETERS UNLESS OTHERWISE SPECIFIED.
- 4.SOME STRUCTURAL DETAILS HAVE BEEN OMITTED FOR THE PURPOSE OF CLARITY.

THIS DRAWING AND SPECIFICATIONS HEREIN ARE THE PROPERTY OF SCHNEIDER ELECTRIC AND SHALL NOT BE COPIED, REPRODUCED OR USED IN WHOLE OR IN PART, AS THE BASIS FOR THE MANUFACTURE OR SALE OF ITEMS WITHOUT WRITTEN PERMISSION FROM SCHNEIDER ELECTRIC. THIS DRAWING IS BASED UPON LATEST AVAILABLE INFORMATION AND IS SUBJECT TO CHANGE WITHOUT NOTICE.



TITLE:  
MGE GALAXY 5500  
TRANSFORMER CABINET WITH SIDE PANELS  
60kVA, 400V  
INTERNAL VIEW  
PROJECT: SUBMITTAL DRAWINGS SHEET 3 OF 3

DWG NO:	G55TTC60RH	REV:	0
DRAWN:	SHAHID ALI	25-JUN-12	FIRST ANGLE PROJECTION
ENGINEER:	Y NGUYEN	25-JUN-12	
APPROVED:	J CAMPBELL/C LARSEN	25-JUN-12	