



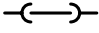

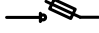






MGE Galaxy 3500 3:3 Narrow 10 to 20 kVA Unitary UPS Drawing Guide

Sheet No.	Component /Detail	Description
1	Draw ing Guide	MGE Galaxy 3500 10-20kVA, 3:3 1 MOD Narrow Draw ing Guide
2-4	Solution	MGE Galaxy 3500 Narrow Tow er 10-20kVA 1 MOD, 400V
5-6	UPS	MGE Galaxy 3500 10-20kVA 400V, 3Ph In 3Ph Out, Narrow Tow er
7-8	System One Line Diagram	MGE Galaxy 3500 10-20kVA 400V 1MOD System One Line Diagram
9	System Wiring Diagram	MGE Galaxy 3500 10-20kVA 400V 1MOD System Control Wiring Diagram

LEGEND			
SYMBOL	DESCRIPTION	SYMBOL	DESCRIPTION
	SWITCH DISCONNECT		PROTECTIVE EARTHING
	NORMALLY OPEN CONTACT		CONVERTER
	BUS BAR LINK		BATTERY MODULE
	SWITCH FUSE DISCONNECT		INVERTER
	FUSE		
	STATIC SWITCH		
	TERMINAL		

THIS DRAWING AND SPECIFICATIONS HEREIN ARE THE PROPERTY OF SCHNEIDER ELECTRIC AND SHALL NOT BE COPIED, REPRODUCED OR USED IN WHOLE OR IN PART, AS THE BASIS FOR THE MANUFACTURE OR SALE OF ITEMS WITHOUT WRITTEN PERMISSION FROM SCHNEIDER ELECTRIC. THIS DRAWING IS BASED UPON LATEST AVAILABLE INFORMATION AND IS SUBJECT TO CHANGE WITHOUT NOTICE.

Schneider Electric

TITLE: MGE GALAXY 3500
 Input: 400/230V AC 3PH SINGLE/DUAL MAINS
 Output: 400/230V AC AND 400V AC 3PH
 10-20kVA NARROW UPS 1 MODULE
 DRAWING GUIDE

PROJECT: DRAWINGS SHEET 1 OF 9

DWG NO: G35T10K20HN-1MOD

DRAWN: GUNJAN SAHA 20-SEP-11

ENGINEER: T.MULLER 14-OCT-11

APPROVED: C.LARSEN 14-OCT-11

REV: 0

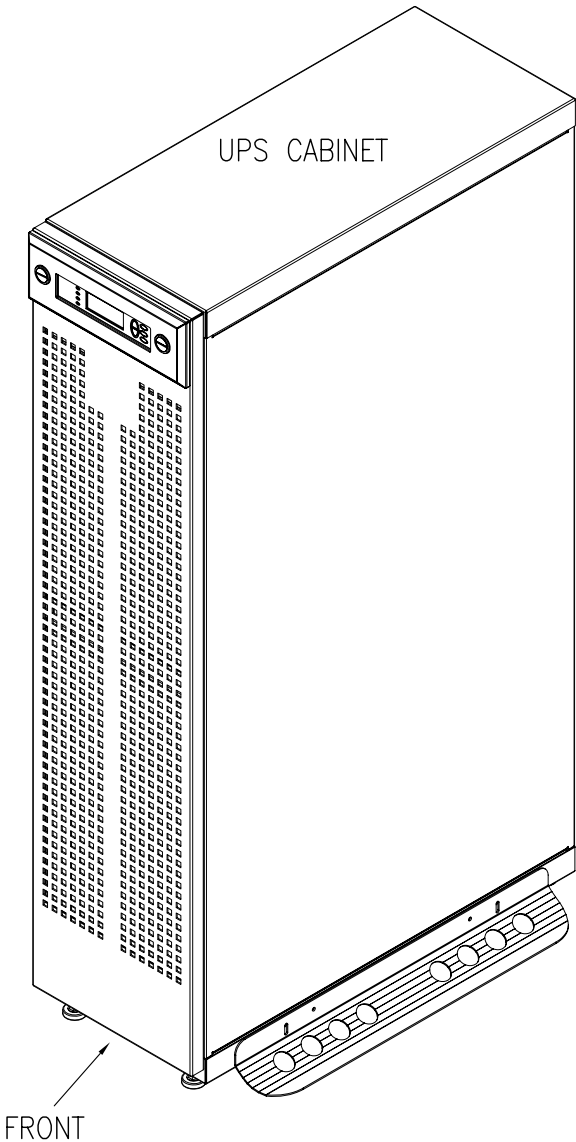
ANGLE:

PROJECTION:

N/A

WEIGHT, CONFIGURATION AND RUNTIME DETAILS

	Total No. of battery modules	10kVA		15kVA		20kVA			
		G35T10KH1B2S		G35T10KH2B2S		G35T15KH2B2S		G35T20KH2B2S	
		Net Weight in Kg	Runtime in Min	Net Weight in Kg	Runtime in Min	Net Weight in Kg	Runtime in Min	Net Weight in Kg	Runtime in Min
Battery Modules in UPS (SYBT4)	1	214	6	N.A	N.A	N.A	N.A	N.A	N.A
	2	306	18	306	18	402	10	402	6



ISOMETRIC VIEW

- NOTES:**
1. INSTALLATION SHALL COMPLY WITH ALL APPLICABLE NATIONAL, STATE AND LOCAL ELECTRICAL REGULATIONS.
 2. PLEASE REFER TO PRODUCT MANUALS FOR ADDITIONAL DETAILS PRIOR TO INSTALLATION AND SITE PREPARATION WORK.
 3. CABLE ENTRY IS FROM REAR SIDE OF THE UNIT OR THROUGH CONDUIT BOX (OPTIONAL).
PLEASE REFER TO UPS DRAWING WITH CONDUIT BOX OPTION (PROVIDED ON WEB)
 4. FRONT AND REAR SERVICE ACCESS IS REQUIRED.
 5. FOR NET WEIGHT OF UNIT, CONFIGURATION AND RUNTIME DETAILS REFER TO ABOVE TABLE
 6. FOR OPERATING TEMPERATURE PLEASE REFER TO INDIVIDUAL COMPONENT DRAWINGS
 - △ 7. BATTERY RUN TIMES ARE THEORETICAL AND CALCULATED BASED ON DATA PROVIDED BY BATTERY MANUFACTURER ASSUMING OPTIMUM ENVIRONMENT AND LOAD CONDITIONS.

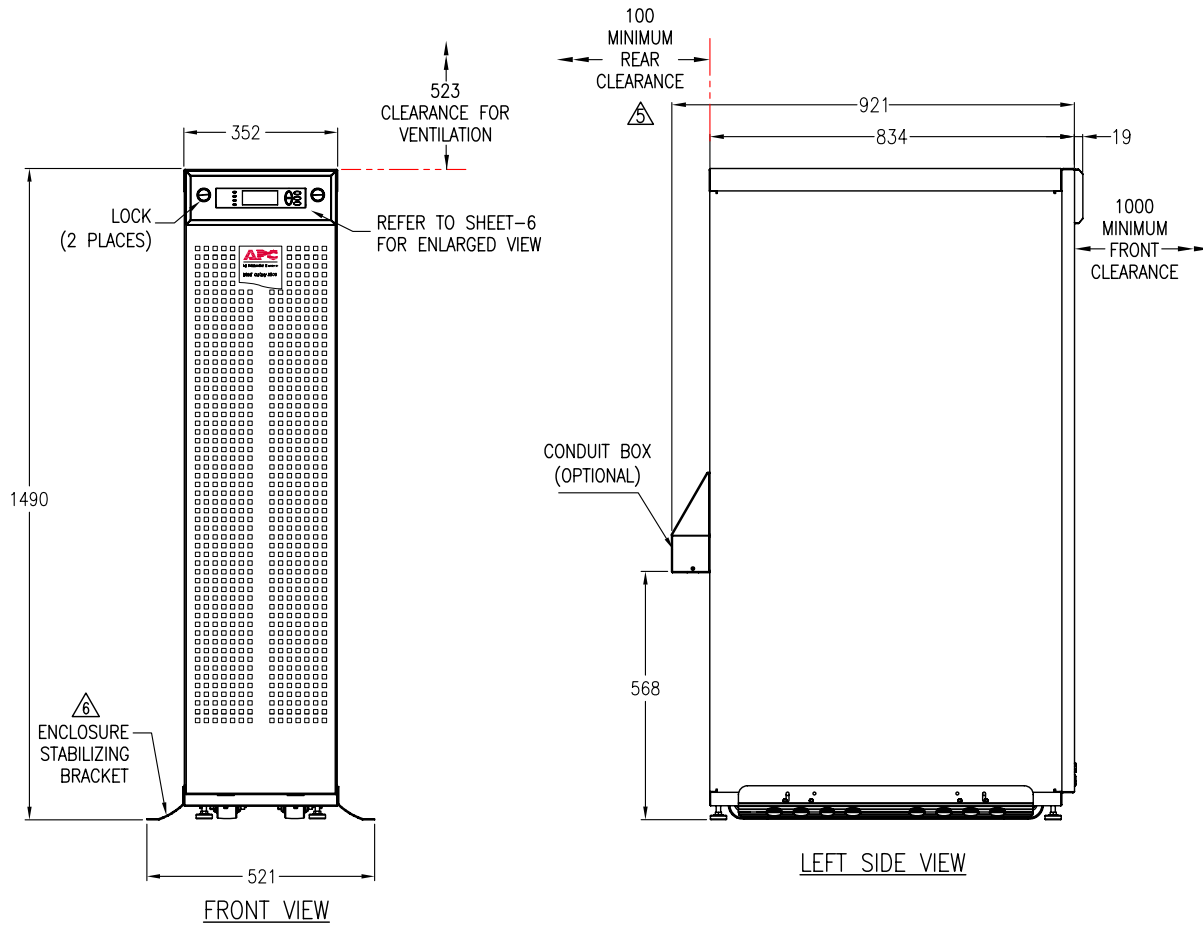
THIS DRAWING AND SPECIFICATIONS HEREIN ARE THE PROPERTY OF SCHNEIDER ELECTRIC AND SHALL NOT BE COPIED, REPRODUCED OR USED IN WHOLE OR IN PART, AS THE BASIS FOR THE MANUFACTURE OR SALE OF ITEMS WITHOUT WRITTEN PERMISSION FROM SCHNEIDER ELECTRIC. THIS DRAWING IS BASED UPON LATEST AVAILABLE INFORMATION AND IS SUBJECT TO CHANGE WITHOUT NOTICE.



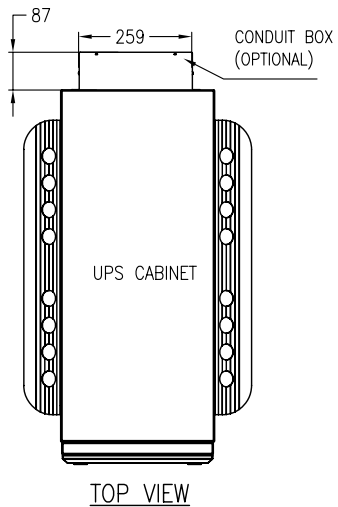
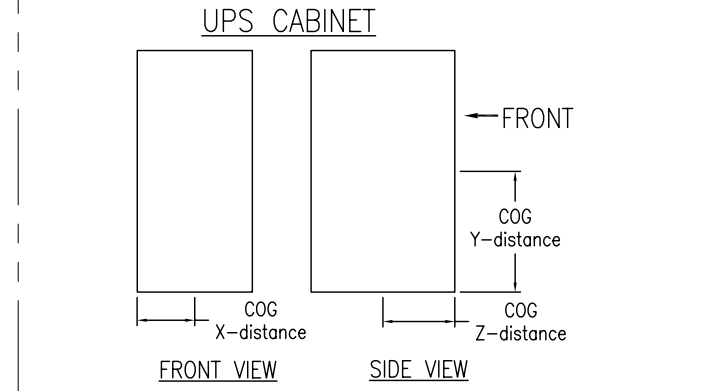
TITLE: MGE GALAXY 3500
 Input: 400/230V AC 3PH SINGLE/DUAL MAINS
 Output: 400/230V AC AND 400V AC 3PH
 10-20kVA NARROW UPS 1 MODULE
 ISOMETRIC VIEW

PROJECT: DRAWINGS **SHEET 2 OF 9**

DWG NO: G35T10K20HN-1MOD	REV: 0
DRAWN: GUNJAN SAHA	20-SEP-11
ENGINEER: T.MULLER	14-OCT-11
APPROVED: C.LARSEN	14-OCT-11
ANGLE: N/A	PROJECTION: N/A



Rating	SKU Number	COG Details in mm		
		X-Distance	Y-Distance	Z-Distance
10kVA	G35T10KH1B2S	176	655	400
	G35T10KH2B2S	176	650	398
15kVA	G35T15KH2B2S	176	650	398
20kVA	G35T20KH2B2S	176	650	398



NOTES:

1. INSTALLATION SHALL COMPLY WITH ALL APPLICABLE NATIONAL STATE AND LOCAL ELECTRICAL REGULATIONS.
2. PLEASE REFER TO PRODUCT MANUALS FOR ADDITIONAL DETAILS PRIOR TO INSTALLATION AND SITE PREPARATION WORK.
3. ALL DIMENSIONS ARE IN MILLIMETERS UNLESS OTHERWISE SPECIFIED.
4. CABLE ENTRY IS FROM REAR SIDE OF THE UNIT OR THROUGH CONDUIT BOX (OPTIONAL).
PLEASE REFER TO UPS DRAWING WITH CONDUIT BOX OPTION (PROVIDED ON WEB)
- △ 5. FRONT AND REAR SERVICE CLEARANCE, TOP COOLING CLEARANCE REQUIRED.
USE FLEXIBLE CONDUIT WITH SUFFICIENT LENGTH TO ALLOW UNIT TO BE MOVED OUT FOR SERVICE
- △ 6. ENCLOSURE STABILIZING BRACKET MUST BE INSTALLED TO ENHANCE STABILITY.
7. COLOR: GRAY METALLIC.
8. OPERATING TEMPERATURE: 0°C MIN. TO 40°C MAX.
RECOMMENDED OPERATING RANGE: 15°C TO 25°C.
9. ENCLOSURE PROTECTION IP51.

THIS DRAWING AND SPECIFICATIONS HEREIN ARE THE PROPERTY OF SCHNEIDER ELECTRIC AND SHALL NOT BE COPIED, REPRODUCED OR USED IN WHOLE OR IN PART, AS THE BASIS FOR THE MANUFACTURE OR SALE OF ITEMS WITHOUT WRITTEN PERMISSION FROM SCHNEIDER ELECTRIC. THIS DRAWING IS BASED UPON LATEST AVAILABLE INFORMATION AND IS SUBJECT TO CHANGE WITHOUT NOTICE.

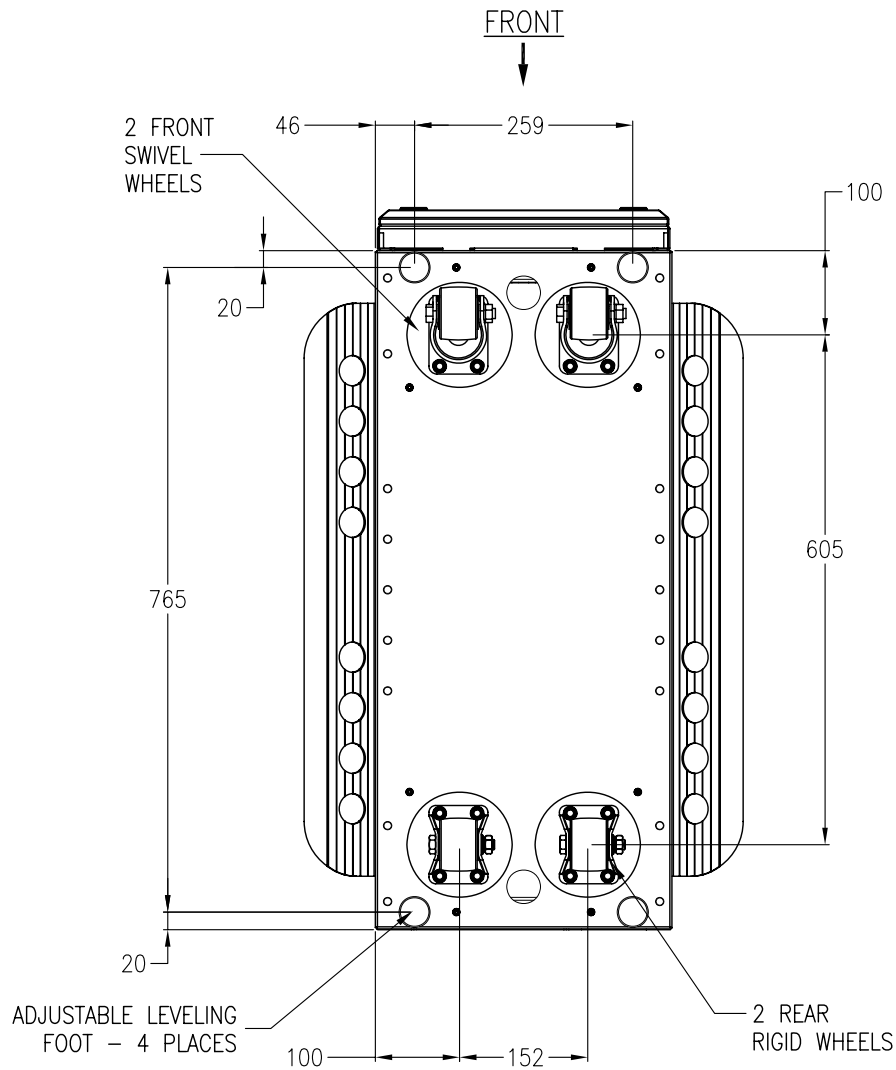


TITLE: MGE GALAXY 3500
Input: 400/230V AC 3PH SINGLE/DUAL MAINS
Output: 400/230V AC AND 400V AC 3PH
10-20kVA NARROW UPS 1 MODULE
SOLUTION-GENERAL ARRANGMENT

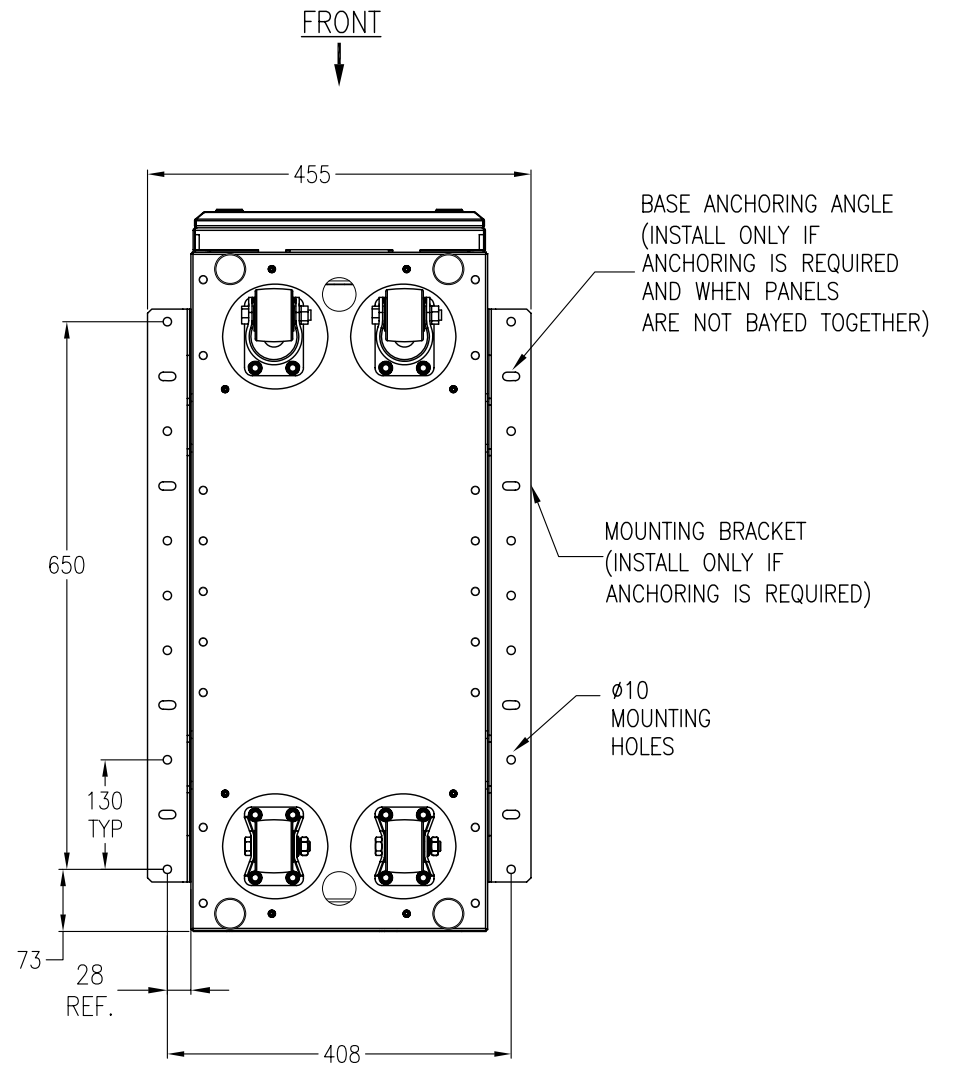
DWG NO: G35T10K20HN-1MOD REV: 0

DRAWN: GUNJAN SAHA	20-SEP-11	FIRST ANGLE PROJECTION
ENGINEER: T.MULLER	14-OCT-11	
APPROVED: C.LARSEN	14-OCT-11	

PROJECT: DRAWINGS SHEET 3 OF 9



UPS BOTTOM VIEW



BOTTOM VIEW
WITH ANCHORING DETAIL

- NOTES:
1. INSTALLATION SHALL COMPLY WITH ALL APPLICABLE NATIONAL AND LOCAL ELECTRICAL REGULATIONS.
 2. PLEASE REFER TO PRODUCT MANUALS FOR ADDITIONAL DETAILS PRIOR TO INSTALLATION AND SITE PREPARATION WORK.
 3. ALL DIMENSIONS ARE IN MILLIMETERS UNLESS OTHERWISE SPECIFIED.

THIS DRAWING AND SPECIFICATIONS HEREIN ARE THE PROPERTY OF SCHNEIDER ELECTRIC AND SHALL NOT BE COPIED, REPRODUCED OR USED IN WHOLE OR IN PART, AS THE BASIS FOR THE MANUFACTURE OR SALE OF ITEMS WITHOUT WRITTEN PERMISSION FROM SCHNEIDER ELECTRIC. THIS DRAWING IS BASED UPON LATEST AVAILABLE INFORMATION AND IS SUBJECT TO CHANGE WITHOUT NOTICE.

Schneider Electric

TITLE: MGE GALAXY 3500
Input: 400/230V AC 3PH SINGLE/DUAL MAINS
Output: 400/230V AC AND 400V AC 3PH
10-20kVA NARROW UPS 1 MODULE
SOLUTION-BOTTOM ANCHORING

DWG NO: G35T10K20HN-1MOD

REV. 0

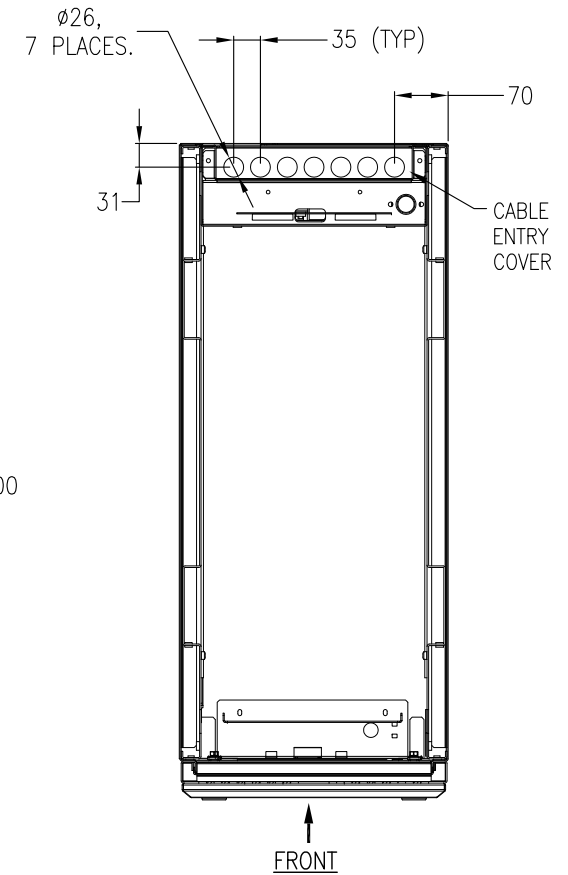
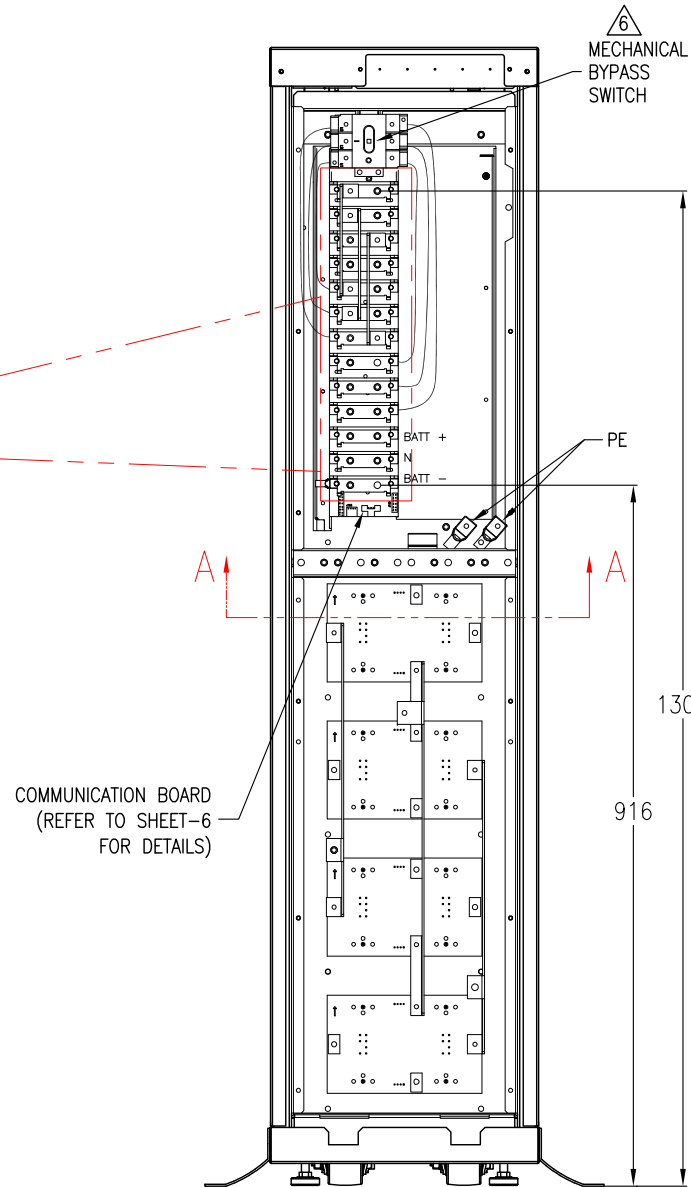
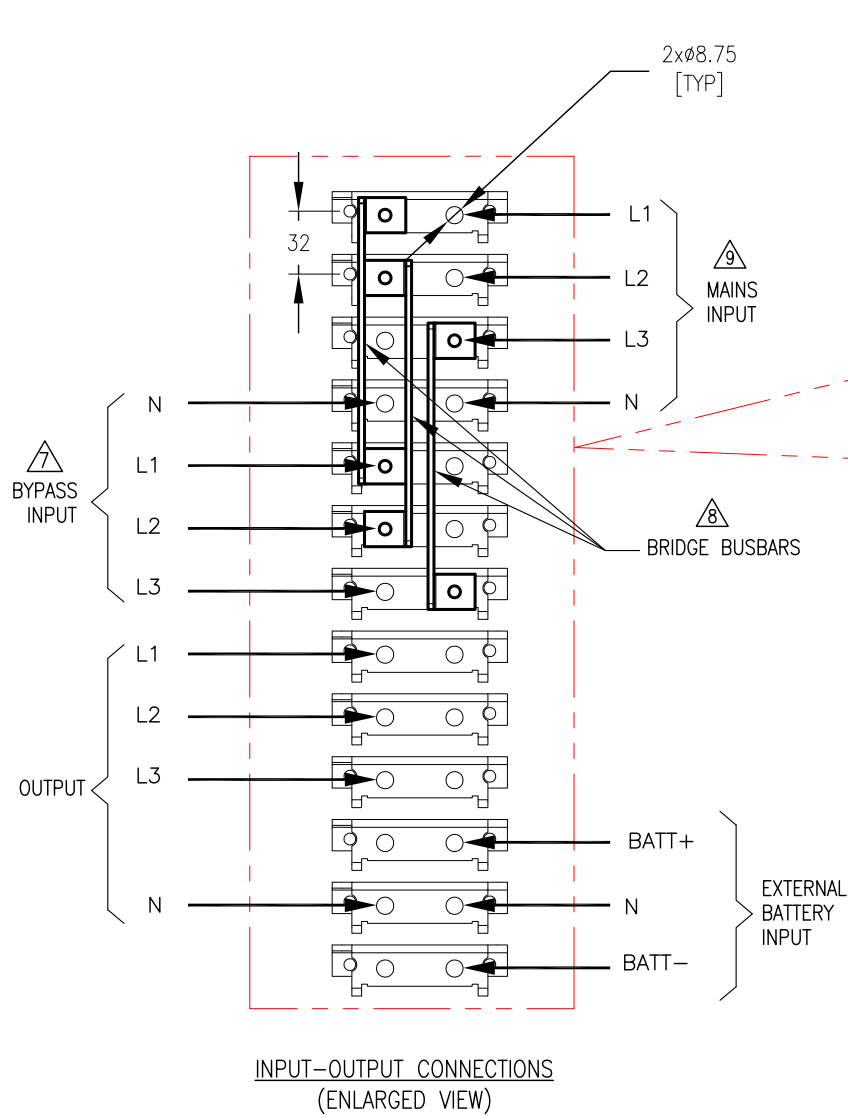
DRAWN: GUNJAN SAHA 20-SEP-11

FIRST ANGLE PROJECTION

ENGINEER: T.MULLER 14-OCT-11

APPROVED: C.LARSEN 14-OCT-11

PROJECT: DRAWINGS SHEET 4 OF 9



NOTES:

1. INSTALLATION SHALL COMPLY WITH ALL APPLICABLE NATIONAL, STATE AND LOCAL ELECTRICAL REGULATIONS.
2. REFER TO PRODUCT MANUALS FOR ADDITIONAL DETAILS PRIOR TO INSTALLATION AND SITE PREPARATION WORK.
3. ALL DIMENSIONS ARE IN MILLIMETERS. UNLESS OTHERWISE SPECIFIED.
4. SOME STRUCTURAL DETAILS HAVE BEEN OMITTED FOR THE PURPOSE OF CLARITY.
5. MGE GALAXY 3500 UPS IS DESIGNED FOR SINGLE AND DUAL MAINS. SINGLE MAINS INSTALLATION IS A DEFAULT ONE.

- △ 6. THE MECHANICAL BYPASS SWITCH MUST BE REMOVED WHEN THE UPS IS TO RUN IN PARALLEL.
- △ 7. FOR DUAL MAINS ONLY.
- △ 8. TO BE REMOVED FOR DUAL MAINS INSTALLATION.
- △ 9. THE MAINS INPUT NEUTRAL SHOULD BE FED ONLY FOR SINGLE MAINS CONFIGURATION. FOR DUAL MAINS CONFIGURATION THE MAINS INPUT NEUTRAL SHOULD NOT BE FED.

THIS DRAWING AND SPECIFICATIONS HEREIN ARE THE PROPERTY OF SCHNEIDER ELECTRIC AND SHALL NOT BE COPIED, REPRODUCED OR USED IN WHOLE OR IN PART, AS THE BASIS FOR THE MANUFACTURE OR SALE OF ITEMS WITHOUT WRITTEN PERMISSION FROM SCHNEIDER ELECTRIC. THIS DRAWING IS BASED UPON LATEST AVAILABLE INFORMATION AND IS SUBJECT TO CHANGE WITHOUT NOTICE.

Schneider Electric

TITLE: MGE GALAXY 3500
Input: 400/230V AC 3PH SINGLE/DUAL MAINS
Output: 400/230V AC AND 400V AC 3PH
10-20kVA NARROW UPS 1 MODULE
UPS INTERNAL VIEW

DWG NO: G35T10K20HN-1MOD

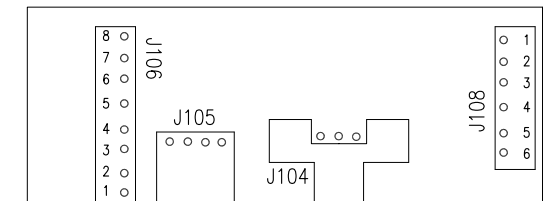
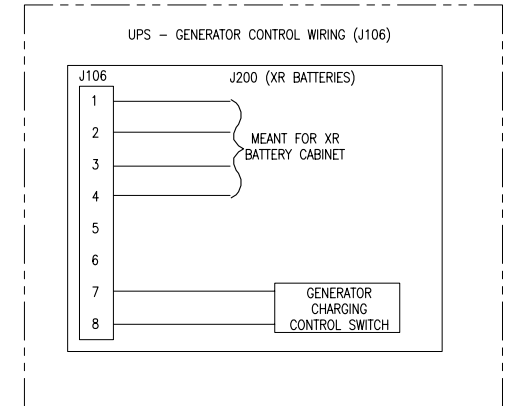
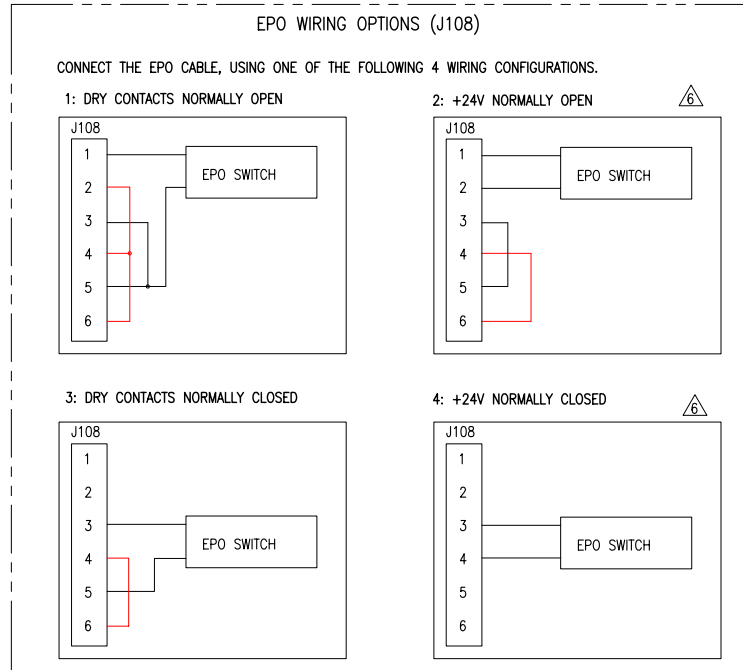
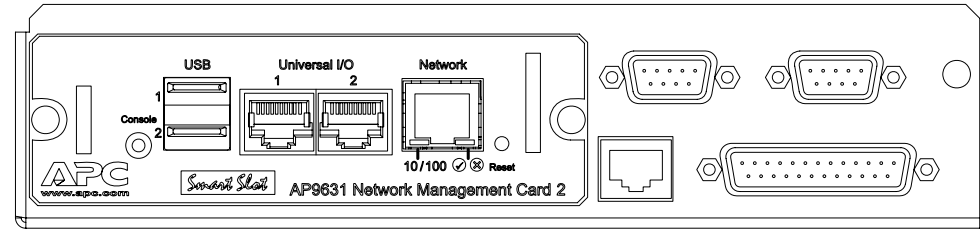
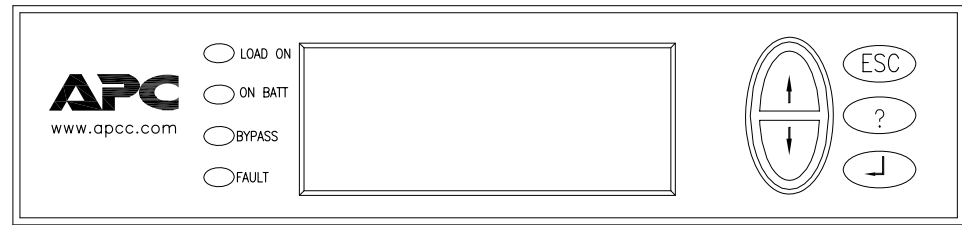
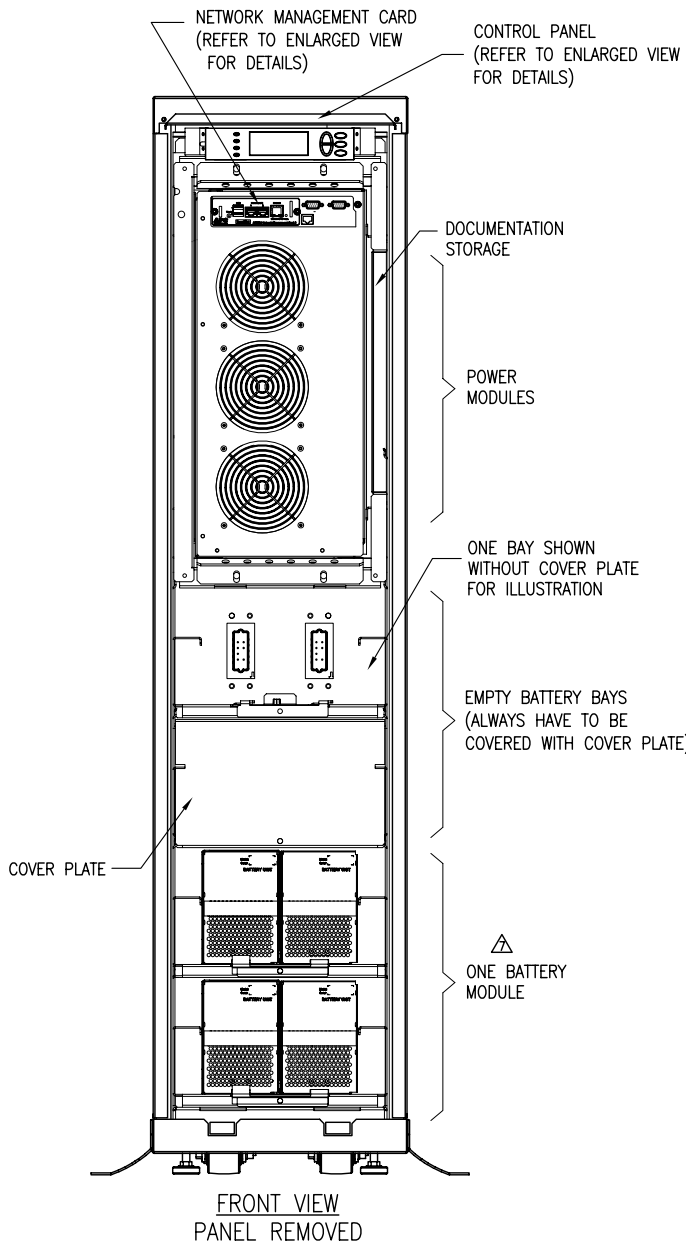
REV. 1

DRAWN: JAYAPRAKASH 11-DEC-15
ENGINEER: T.MULLER 11-DEC-15

FIRST ANGLE PROJECTION

PROJECT: DRAWINGS SHEET 5 OF 9

APPROVED: S.ANDERSEN/E.SILVA 11-DEC-15



- NOTES:
1. INSTALLATION SHALL COMPLY WITH ALL APPLICABLE NATIONAL STATE AND LOCAL ELECTRICAL REGULATIONS.
 2. PLEASE REFER TO PRODUCT MANUALS FOR ADDITIONAL DETAILS PRIOR TO INSTALLATION AND SITE PREPARATION WORK.
 3. ALL DIMENSIONS ARE IN MILLIMETERS UNLESS OTHERWISE SPECIFIED.
 4. SOME STRUCTURAL DETAILS HAVE BEEN OMITTED FOR THE PURPOSE OF CLARITY.
 5. UPS EPO TERMINAL MUST BE CONNECTED TO EITHER A DRY CONTACT OR 24V DC EPO SWITCH.
 6. THE EXTERNAL EPO +24VDC, 1500mA CIRCUIT CAN BE SUPPLIED THROUGH OTHER VENDORS.
 7. THIS DRAWINGS REPRESENTS THE SKU WITH ONE BATTERY MODULE REFER SHEET-2 FOR DETAILS ABOUT ADDITIONAL MODULE.

THIS DRAWING AND SPECIFICATIONS HEREIN ARE THE PROPERTY OF SCHNEIDER ELECTRIC AND SHALL NOT BE COPIED, REPRODUCED OR USED IN WHOLE OR IN PART, AS THE BASIS FOR THE MANUFACTURE OR SALE OF ITEMS WITHOUT WRITTEN PERMISSION FROM SCHNEIDER ELECTRIC. THIS DRAWING IS BASED UPON LATEST AVAILABLE INFORMATION AND IS SUBJECT TO CHANGE WITHOUT NOTICE.



TITLE: MGE GALAXY 3500
Input: 400/230V AC 3PH SINGLE/DUAL MAINS
Output: 400/230V AC AND 400V AC 3PH
10-20kVA NARROW UPS 1 MODULE
UPS-CONTROL PANEL, NMC & COMMUNICATION BOARD

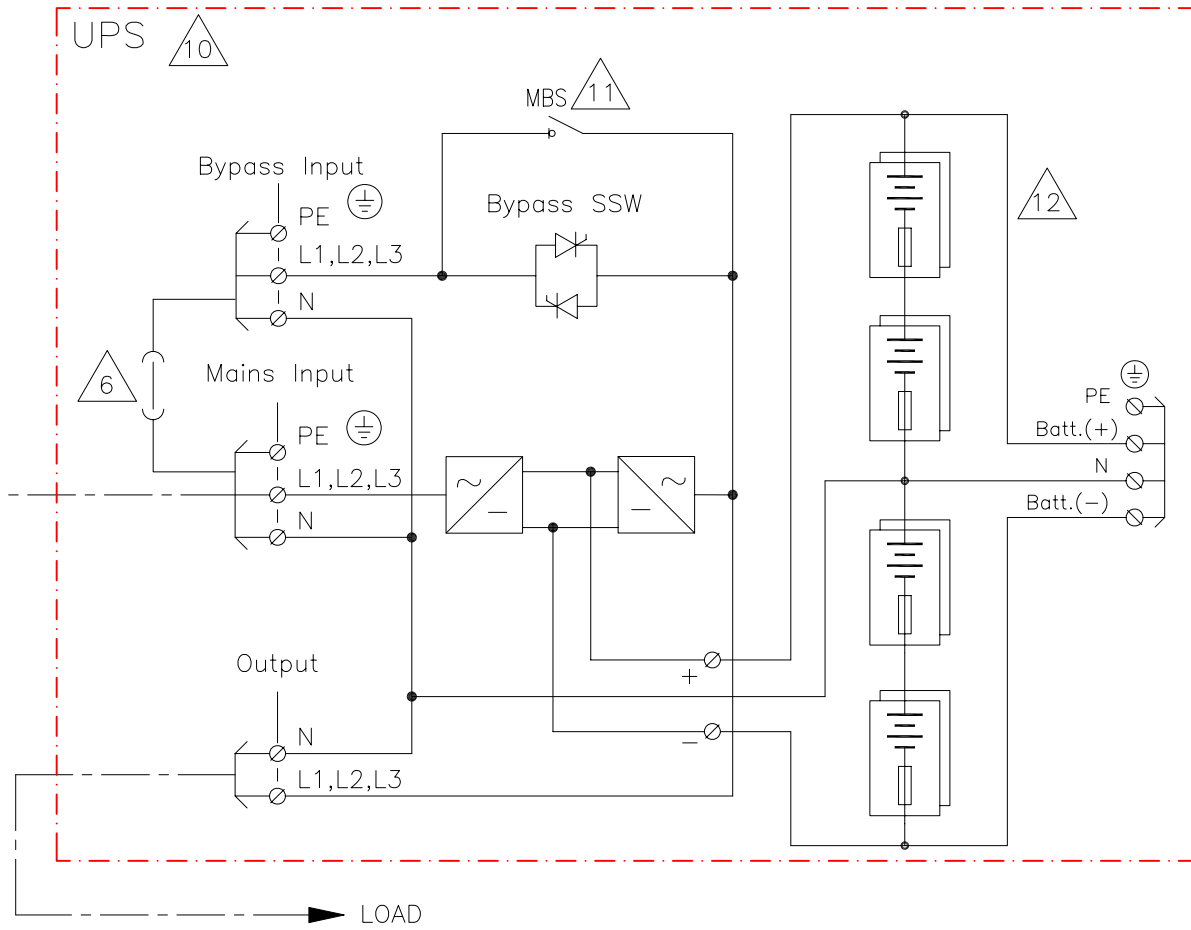
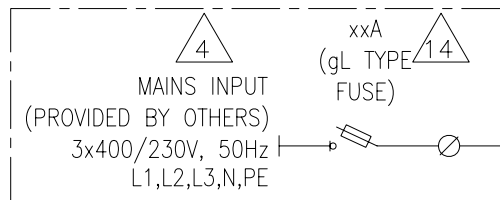
PROJECT: DRAWINGS SHEET 6 OF 9

DWG NO: G35T10K20HN-1MOD REV: 0

DRAWN: GUNJAN SAHA 20-SEP-11 FIRST ANGLE PROJECTION

ENGINEER: T.MULLER 14-OCT-11

APPROVED: C.LARSEN 14-OCT-11



UPS SYSTEM OUTPUT
3x400/230V
L1,L2,L3,N,PE

LEGEND:
- - - - - AC CABLE - PROVIDED BY OTHERS.

DEVICE	RATED SHORT CIRCUIT CURRENT	
	WITH INPUT FUSES	WITH INPUT BREAKERS
UPS	30kA SYMMETRICAL	30kA SYMMETRICAL

- NOTES:**
- INSTALLATION MUST COMPLY WITH ALL APPLICABLE NATIONAL STATE LOCAL CODES.
 - PLEASE REFER TO PRODUCT MANUALS FOR ADDITIONAL DETAILS PRIOR TO INSTALLATION AND SITE PREPARATION WORK.
 - DRAWING DEPICTS POWER SYSTEM CONNECTIONS AND IS NOT REPRESENTATIVE OF PHYSICAL LAYOUT, PLEASE REFER TO MECHANICAL DRAWINGS FOR PHYSICAL LAYOUT.
 - 3x400/230V TN-S (PROVIDED BY OTHERS). FOR OTHER (TN-C, TN-C-S, TT, IT) EARTHING PRINCIPLES, PLEASE CONTACT Schneider Electric. RECOMMENDED UPSTREAM PROTECTION IS A MINIMUM RATING TO SUPPORT MAXIMUM CURRENT, WITHOUT SELECTIVITY. IF SELECTIVITY IS REQUIRED, PLEASE CONTACT Schneider Electric.
 - ALL AC POWER CABLING IS L1, L2, L3, N, PE.
 - SINGLE MAINS CONFIGURATION IS A DEFAULT. DO NOT REMOVE THE LINK BUS BARS FOR SINGLE MAINS CONFIGURATION AND CONNECT INPUT CABLES TO EITHER MAINS OR BYPASS TERMINALS. FOR DUAL MAINS CONFIGURATION REMOVE THE 3 LINK BUS BARS.
 - DC CABLING TO BE 600V RATED, 2 WIRE + PE, EACH CIRCUIT TO BE RUN IN SEPARATE CONDUITS, POSITIVE, NEGATIVE + PE.
 - UPS INPUT AND OUTPUT CABLES SHOULD BE SEGREGATED.
 - POWER WIRING AND CONTROL WIRING SHOULD BE SEGREGATED.
 - APPLICABLE UPS SKU NUMBERS LISTED IN SHEET-8.
 - MBS HAS TO BE DISABLED WHILE USING WITH MAINTENANCE BYPASS PANEL.
 - THIS DRAWING SHOWS MAXIMUM NUMBER OF BATTERY MODULES IN EACH CABINET. THE QUANTITY OF BATTERY MODULE IS SKU SPECIFIC. EX. G35T10KH1B2S

CAN BE EXPANDED UP TO (2) BATTERY MODULES
MINIMUM NUMBER (1) OF BATTERY MODULES.

- SYSTEM OUTPUT FOR VARIOUS SKUs LISTED IN SHEET-8.
- FOR SYSTEM INPUT OVER CURRENT PROTECTION REFER TO SHEET-8.

THIS DRAWING AND SPECIFICATIONS HEREIN ARE THE PROPERTY OF SCHNEIDER ELECTRIC AND SHALL NOT BE COPIED, REPRODUCED OR USED IN WHOLE OR IN PART, AS THE BASIS FOR THE MANUFACTURE OR SALE OF ITEMS WITHOUT WRITTEN PERMISSION FROM SCHNEIDER ELECTRIC. THIS DRAWING IS BASED UPON LATEST AVAILABLE INFORMATION AND IS SUBJECT TO CHANGE WITHOUT NOTICE.



TITLE: MGE GALAXY 3500
Input: 400/230V AC 3PH SINGLE/DUAL MAINS
Output: 400/230V AC AND 400V AC 3PH
10-20kVA NARROW UPS 1 MODULE
SYSTEM ONE LINE DIAGRAM

PROJECT: DRAWINGS SHEET 7 OF 9

DWG NO: G35T10K20HN-1MOD
ENGINEER: GUNJAN SAHA
APPROVED: T.MULLER
C.LARSEN

REV: 0
ANGLE PROJECTION: N/A

Galaxy 3500® 10K and 40K UPS Frame (1 Module) Site Planning Data

Battery - Nominal Voltage : +/-192V DC

Input and output Voltage : 400V AC

UPS Rating	SKU Number	System Mains Input		System Bypass Input	System Output		Battery Current(A) (in UPS Cabinet)	Recommended Over current Protection Device Ratings			UPS Mechanical Data			
		Nominal Current(A)	Maximum Current(A)	Nominal Current(A)	System output Power	Nominal Current(A)		UPS Mains Input (A)	UPS Bypass Input (A)	UPS System Output (A)	Typical Dimensions H x W x D (mm) see note 14	weight (Kg) see Note 14	Floor Loading data in Kg/m ²	Heat Loss / watts See Note 15
10kVA/8kW	G35T10KH1B2S	12.3	13.5	14.4	10kVA/8kW	14.4	27.5	16	16	16	1491x352x838	214	725	440
	G35T10KH2B2S										1491x352x838	306	1037	
	G35T10KH1B4S										1491x523x838	351	801	
	G35T10KH2B4S										1491x523x838	443	1011	
	G35T10KH3B4S										1491x523x838	535	1221	
	G35T10KH4B4S										1491x523x838	627	1431	
15kVA/12kW	G35T15KH2B2S	18.5	20.3	21.7	15kVA/12kW	21.7	41.2	25	25	25	1491x352x838	402	1363	516
	G35T15KH2B4S										1491x523x838	443	1011	
	G35T15KH3B4S										1491x523x838	535	1221	
	G35T15KH4B4S										1491x523x838	627	1431	
20kVA/16kW	G35T20KH2B2S	24.7	27.2	28.9	20kVA/16kW	28.9	55	32	32	32	1491x352x838	402	1363	751
	G35T20KH2B4S										1491x523x838	443	1011	
	G35T20KH3B4S										1491x523x838	535	1221	
	G35T20KH4B4S										1491x523x838	627	1431	
30kVA/24kW	G35T30KH3B4S	36.7	40.3	43.3	30kVA/24kW	43.3	82.5	50	50	50	1491x523x838	570	1301	839
	G35T30KH4B4S										1491x523x838	662	1510	
40kVA/32kW	G35T40KH4B4S	49.1	54	57.7	40kVA/32kW	57.7	110.1	63	63	63	1491x523x838	662	1510	1279

Notes.

- Nominal Input current based on nominal mains voltage + batteries fully charged at 100% ohmic load.
- Maximum Input current based on fully battery recharge + nominal mains voltage at 100% ohmic load.
- Suggested input overcurrent protection based on continuous full load.
- Nominal battery voltage assumed to be 2.0 volts/ cell (lead technology)
- Over current protection device rating selection based on Nominal input current is acceptable provided battery recharge time is short.
Consult Schneider Electric for application specific assistance.
- Voltage tolerance is 304 - 477V, 47 - 53Hz nominal 50Hz.
- Input power-factor is 0.98 for > 50% loading.
- Cable installation to comply with EN60364-5-52, max ambient 30 deg C, cable sizes shown
refer to 600V rated,90 degree C multicore copper conductors with thermosetting insulation unless otherwise mentioned
- AC input & output to be L1, L2, L3, N & PE depending on 400/230V configuration, PE may be separate or SWA of armored cable
- Overcurrent protective devices (OCPD) may be either gL fuse type or MCB/MCCB rated at 30kA fault rating
- DC cabling should be sized to give < 1% voltage drop at the nominal battery discharge current
using three-wire separate conductors in positive, centre-tap and negative poles
- Top or bottom cable entry with removable gland plates
- Control wiring to be run separately using screened conductors away from power cabling preferably in a separate conduit or cable tray
- Weights and dimensions are with internal batteries, with extended battery cabinets use battery discharge current
in conjunction with cable drop to size cabling from cabinet to UPS
- Heat loss refers to max loading and fully charged batteries
- Refers to maximum battery recharge conditions
- Input : THD < 5% at Full Load
- Output : THD <1.5% Linear Load, <3.5% Non Linear Load

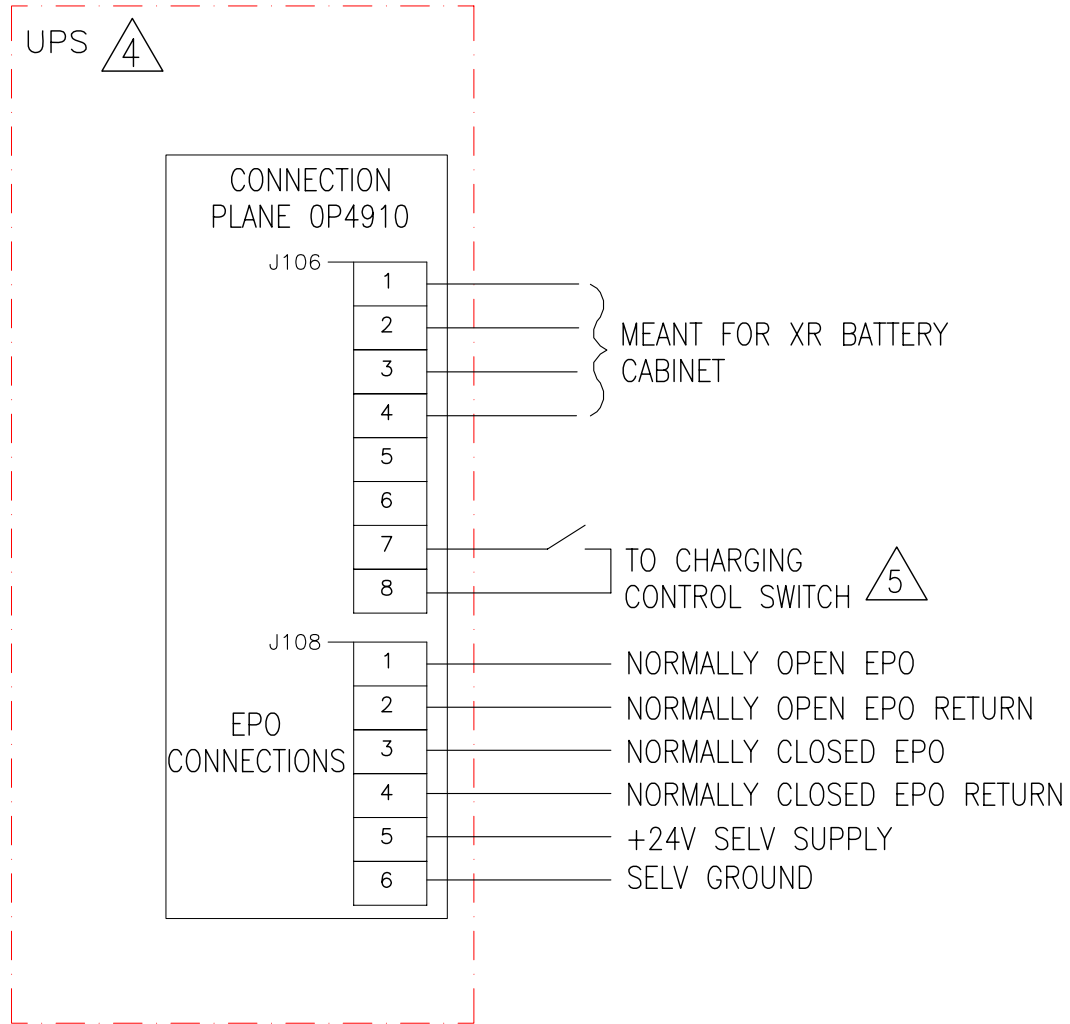
EFFICIENCY DETAILS				
SYSTEM	25%LOAD	50%LOAD	75%LOAD	100%LOAD
10KVA 400V	92.9	94.8	94.9	94.9
15KVA 400V	92.9	95.3	95.5	95.5
20KVA 400V	94.4	95.5	95.5	95.4
30KVA 400V	94.1	96	95.9	96.1
40KVA 400V	95	96	95.9	95.5

THIS DRAWING AND SPECIFICATIONS HEREIN ARE THE PROPERTY OF SCHNEIDER ELECTRIC AND SHALL NOT BE COPIED, REPRODUCED OR USED IN WHOLE OR IN PART, AS THE BASIS FOR THE MANUFACTURE OR SALE OF ITEMS WITHOUT WRITTEN PERMISSION FROM SCHNEIDER ELECTRIC. THIS DRAWING IS BASED UPON LATEST AVAILABLE INFORMATION AND IS SUBJECT TO CHANGE WITHOUT NOTICE.



TITLE: MGE GALAXY 3500
Input: 400/230V AC 3PH SINGLE/DUAL MAINS
Output: 400/230V AC AND 400V AC 3PH
10-20kVA NARROW UPS 1 MODULE
SITE PLANNING GUIDE
PROJECT: DRAWINGS SHEET 8 OF 9

DWG NO: G35T10K20HN-1MOD REV. 0
DRAWN: GUNJAN SAHA 20-SEP-11 ANGLE PROJECTION
ENGINEER: T.MULLER 14-OCT-11 N/A
APPROVED: C.LARSEN 14-OCT-11



NOTES:

1. INSTALLATION SHALL COMPLY WITH ALL APPLICABLE NATIONAL, STATE AND LOCAL CODES.
2. PLEASE REFER TO PRODUCT MANUALS FOR ADDITIONAL DETAILS PRIOR TO INSTALLATION AND SITE PREPARATION WORK.
3. USE ONLY 1-1.5 Sqmm COPPER WIRE FOR EPO CONNECTION.
- △4. APPLICABLE SKU : G35T10KH1B2S/G35T10KH2B2S/G35T15KH2B2S/G35T20KH2B2S
- △5. WHEN PINS 7 AND 8 ARE CLOSED, THE UPS CHARGES BATTERIES WITH A PRE-DEFINED PERCENTAGE (0-25-50-75-100%) OF MAXIMUM CHARGING POWER. TO BE USED IN GENERATOR APPLICATIONS, OR IF SPECIAL CODES REQUIRES CONTROL OF CHARGING.

THIS DRAWING AND SPECIFICATIONS HEREIN ARE THE PROPERTY OF SCHNEIDER ELECTRIC AND SHALL NOT BE COPIED, REPRODUCED OR USED IN WHOLE OR IN PART, AS THE BASIS FOR THE MANUFACTURE OR SALE OF ITEMS WITHOUT WRITTEN PERMISSION FROM SCHNEIDER ELECTRIC. THIS DRAWING IS BASED UPON LATEST AVAILABLE INFORMATION AND IS SUBJECT TO CHANGE WITHOUT NOTICE.



TITLE: MGE GALAXY 3500
 Input: 400/230V AC 3PH SINGLE/DUAL MAINS
 Output: 400/230V AC AND 400V AC 3PH
 10-20kVA NARROW UPS 1 MODULE
 SYSTEM WIRING DIAGRAM

PROJECT: DRAWINGS SHEET 9 OF 9

DWG NO:	G35T10K20HN-1MOD	REV:	0
DRAWN:	GUNJAN SAHA	20-SEP-11	ANGLE
ENGINEER:	T.MULLER	14-OCT-11	PROJECTION
APPROVED:	C.LARSEN	14-OCT-11	N/A