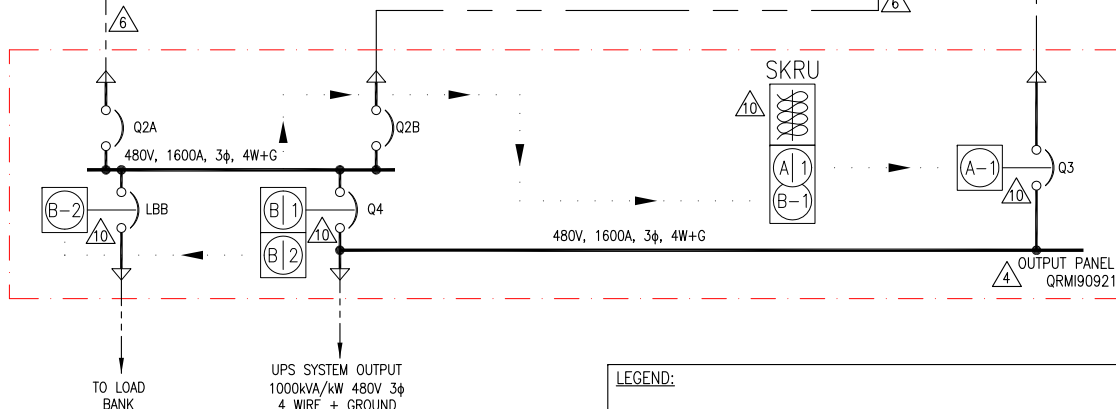
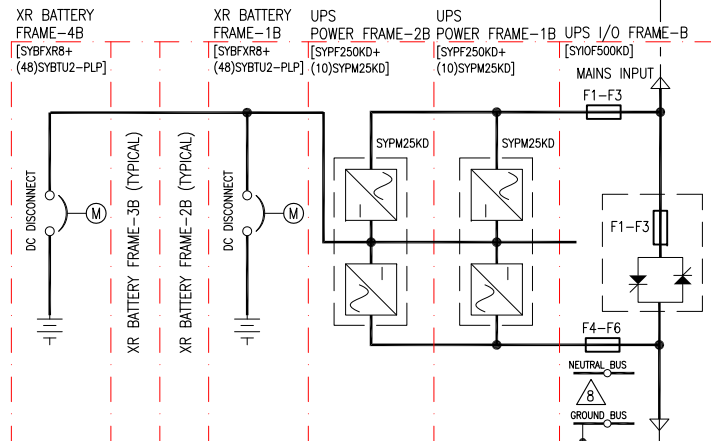
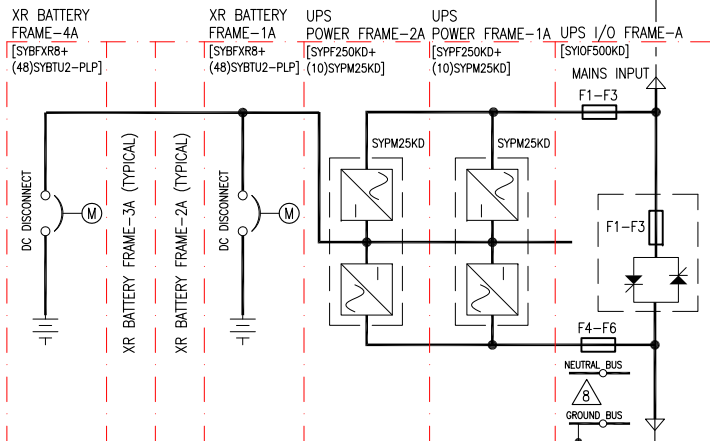
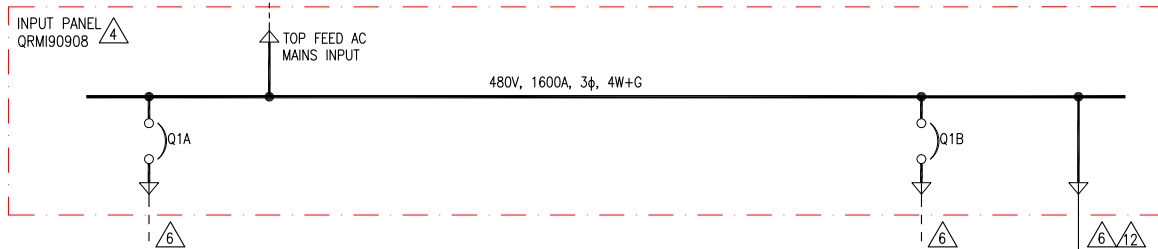
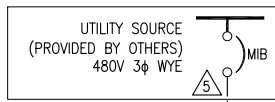


DEVICE RATING

DEVICE	RATING	TYPE	MAKE	MODEL	ACCESSORIES
Q1A, Q1B	800A, 600V 100% RATED	MCCB, 3 POLE	Schneider Electric	PJP36080CU33AACBCSKYP	3A/3B AUX CONT, BELL ALARM, 24VDC SHUNT TRIP, ML 5.0 TRIP UNIT
Q2A, Q2B	700A, 600V 100% RATED	ICCB, 4 POLE	Schneider Electric	BL1AAV33B9CXBX000XA	BA/BB AUX CONT, BELL ALARM, 24VDC SHUNT TRIP, ML 5.0 TRIP UNIT
Q3	1600A, 600V 100% RATED	ICCB, 4 POLE	Schneider Electric	BL1EEV33A9CXFX000XA	BA/BB AUX CONT, BELL ALARM, 120VAC SHUNT TRIP, ML 5.0 TRIP UNIT
Q4	1600A, 600V 100% RATED	ICCB, 4 POLE	Schneider Electric	BL1EEV33A9CXBX000XA	BA/BB AUX CONT, BELL ALARM, 24VDC SHUNT TRIP, ML 5.0 TRIP UNIT
LBB	1600A, 600V 100% RATED	ICCB, 3 POLE	Schneider Electric	WL1EEV33A9CXBX000XA	BA/BB AUX CONT, BELL ALARM, 24VDC SHUNT TRIP, ML 5.0 TRIP UNIT
INVERTER FUSES F1-F3 / F4-F6	1250A, 700V	HIGH SPEED FUSE	BUSSMANN	170M6466	--
SSW FUSES F1-F3	1100A, 700V	HIGH SPEED FUSE	BUSSMANN	170M5167	--
DC DISCONNECT	400A, 600V DC	MCCB, 4 POLE	ABB	TS	1 AUX CONT, 24VDC, SHUNT TRIP, ACTUATOR



NOTES:

- INSTALLATION SHALL COMPLY WITH ALL APPLICABLE LOCAL AND NATIONAL CODES.
- PLEASE REFER TO PRODUCT MANUALS FOR ADDITIONAL DETAILS.
- DRAWING DEPICTS POWER SYSTEM CONNECTIONS AND IS NOT REPRESENTATIVE OF PHYSICAL LAYOUT, PLEASE REFER TO MECHANICAL DRAWINGS FOR PHYSICAL LAYOUT.
- MAXIMUM RATED SHORT CIRCUIT CURRENT IS 65KAIC, FOR UPS AND INPUT/OUTPUT PANELS.
- AC UTILITY SOURCE SHALL BE 480VAC, 3 ϕ , SOLIDLY GROUNDING WYE, 4 WIRE+GROUND (CONTACT Schneider Electric IF OTHER). SEE SHEET 4 FOR SITE PLANNING SUBMITTAL DATA.
- AC CABLING SHALL BE 600V RATED, 4 WIRE+GROUND.
- CABLE LUGS ARE NOT PROVIDED.
- THE NEUTRAL TO GROUND SYSTEM BONDING JUMPER PROVIDED BY SCHNEIDER ELECTRIC SHALL NOT BE INSTALLED FOR 4 WIRE OUTPUT CONFIGURATION. SEE INSTALLATION MANUAL FOR DETAILS.
- THIS DRAWING SHOWS MINIMUM NUMBER OF XR BATTERY FRAMES PER UPS. MAXIMUM (8) XR BATTERY FRAMES CAN BE BAYED TO EACH UPS. BAYING KIT IS SUPPLIED WITH THIS SOLUTION. XR BATTERY FRAME HAS MOTORIZED BREAKER.
- KEY INTERLOCKS WITH SKRU, SCHEME 39, BETWEEN Q3 AND Q4, ARE OPTIONAL AND ARE NOT INCLUDED AS STANDARD WITH THE SYSTEM. (SCHEME 39 ADDER IS QCC67185) KEY INTERLOCKS WITH SKRU, SCHEME 29, BETWEEN LBB AND Q4, ARE OPTIONAL AND ARE NOT INCLUDED AS STANDARD WITH THE SYSTEM. (SCHEME 29 ADDER IS QCBA39274) LBB IS OPTIONAL AND IS NOT INCLUDED AS STANDARD WITH THE SYSTEM. (LBB ADDER IS QRM190957) INSTALLATION OF LBB AND KEY INTERLOCKS WITH SKRU IS STRONGLY RECOMMENDED.
- CABLE LENGTHS FOR STATIC BYPASS INPUT AND OUTPUT SHALL BE SAME SUM TOTAL TO ENSURE CORRECT LOAD SHARING IN STATIC BYPASS OPERATION.
- CABLE SIZE AND INSTALLATION SHALL COMPLY WITH NEC ART. 240.21. IF NOT, USE CABLES RATED SAME AS THE MIB FEEDER.

LEGEND:

AC CABLE - PROVIDED BY OTHERS

1000kVA/kW (500kW 2 MOD CAPACITY) TOP FEED SINGLE MAINS SINGLE INPUT TO UPS 4 WIRE OUTPUT CONFIGURATION

THIS DRAWING AND SPECIFICATIONS HEREIN ARE THE PROPERTY OF SCHNEIDER ELECTRIC AND SHALL NOT BE COPIED, REPRODUCED OR USED IN WHOLE OR IN PART, AS THE BASIS FOR THE MANUFACTURE OR SALE OF ITEMS WITHOUT WRITTEN PERMISSION FROM SCHNEIDER ELECTRIC. THIS DRAWING IS BASED UPON LATEST AVAILABLE INFORMATION AND IS SUBJECT TO CHANGE WITHOUT NOTICE.



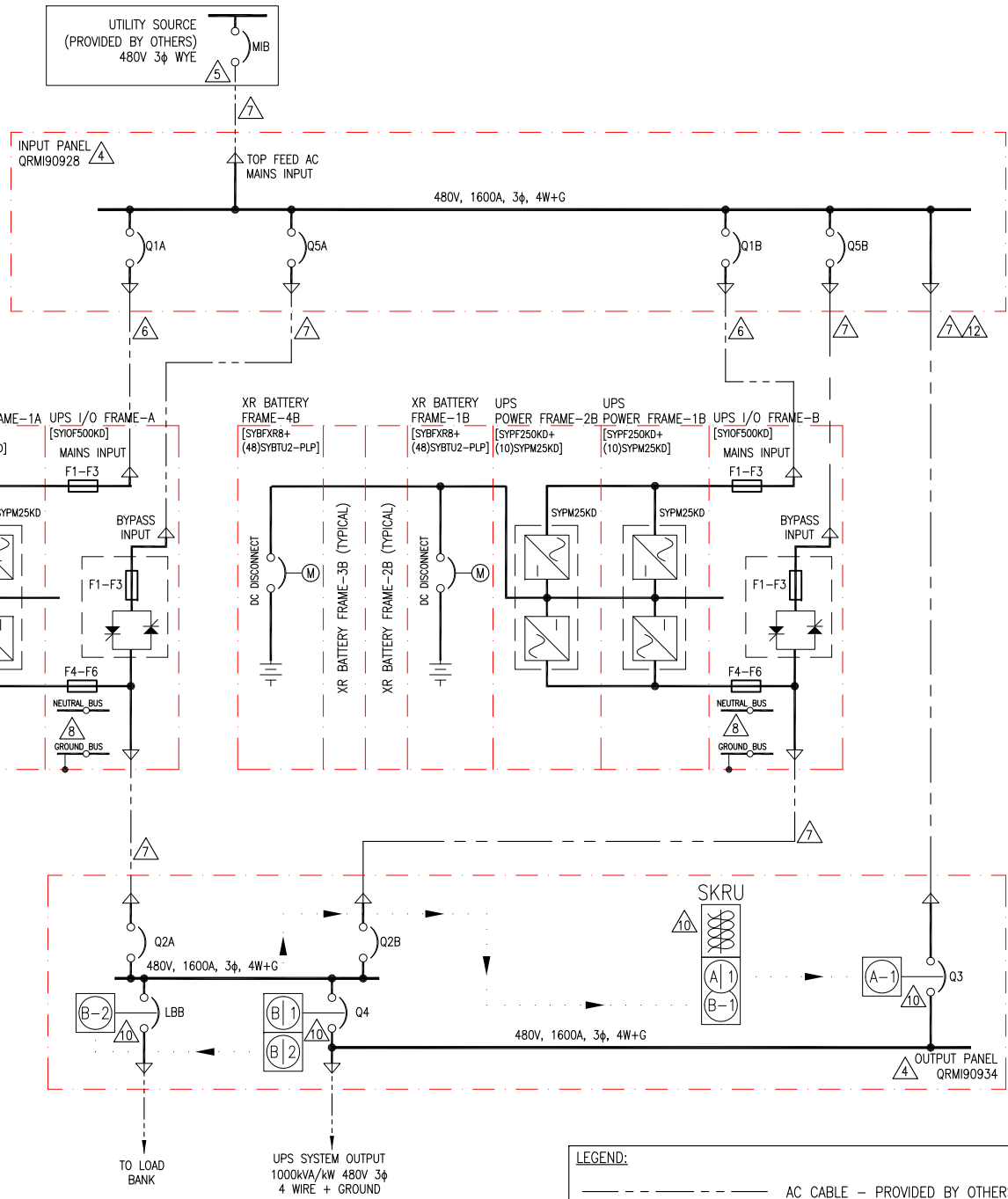
TITLE: SYMMETRA PX
 INPUT: 480V 3 ϕ , SINGLE MAINS, SINGLE INPUT TO UPS
 OUTPUT: 1000kVA/kW 480V 3 ϕ
 500kW 2 MOD N TOP FEED W/LINE-UP BATTERIES
 SYSTEM ONE LINE DIAGRAM
 PROJECT: SUBMITTAL DRAWINGS SHEET 1 OF 7

DWG NO: SY500K1000TG1C2-4W-SD
 DRAWN: BALMURIZAN/V BUSH/R MILLER/S DINHA
 ENGINEER: C FLY
 APPROVED: B SHERIDAN

REV. 2
 02-DEC-14
 02-DEC-14
 PROJ ANGLE N.A.

DEVICE RATING

DEVICE	RATING	TYPE	MAKE	MODEL	ACCESSORIES
Q1A, Q1B	800A, 600V 100% RATED	MCCB, 3 POLE	Schneider Electric	PJP36080CU33AACBCSKYP	3A/3B AUX CONT, BELL ALARM, 24VDC SHUNT TRIP, ML 5.0 TRIP UNIT
Q2A, Q2B	700A, 600V 100% RATED	ICCB, 4 POLE	Schneider Electric	BL1AAV33B9CBXXXXXA	8A/8B AUX CONT, BELL ALARM, 24VDC SHUNT TRIP, ML 5.0 TRIP UNIT
Q3	1600A, 600V 100% RATED	ICCB, 4 POLE	Schneider Electric	BL1EEV33A9CXFXXXXXA	8A/8B AUX CONT, BELL ALARM, 120VAC SHUNT TRIP, ML 5.0 TRIP UNIT
Q4	1600A, 600V 100% RATED	ICCB, 4 POLE	Schneider Electric	BL1EEV33A9CBXXXXXA	8A/8B AUX CONT, BELL ALARM, 24VDC SHUNT TRIP, ML 5.0 TRIP UNIT
Q5A, Q5B	700A, 600V 100% RATED	MCCB, 3 POLE	Schneider Electric	PJP36080CU33BCBCSKYP	3A/3B AUX CONT, BELL ALARM, 24VDC SHUNT TRIP, ML 5.0 TRIP UNIT
LBB	1600A, 600V 100% RATED	ICCB, 3 POLE	Schneider Electric	WL1EEV33A9CBXXXXXA	8A/8B AUX CONT, BELL ALARM, 24VDC SHUNT TRIP, ML 5.0 TRIP UNIT
INVERTER FUSES F1-F3 / F4-F6	1250A, 700V	HIGH SPEED FUSE	BUSSMANN	170M6466	--
SSW FUSES F1-F3	1100A, 700V	HIGH SPEED FUSE	BUSSMANN	170M5167	--
DC DISCONNECT	400A, 600V DC	MCCB, 4 POLE	ABB	T5	1 AUX CONT, 24VDC, SHUNT TRIP, ACTUATOR



NOTES:

- INSTALLATION SHALL COMPLY WITH ALL APPLICABLE LOCAL AND NATIONAL CODES.
- PLEASE REFER TO PRODUCT MANUALS FOR ADDITIONAL DETAILS.
- DRAWING DEPICTS POWER SYSTEM CONNECTIONS AND IS NOT REPRESENTATIVE OF PHYSICAL LAYOUT, PLEASE REFER TO MECHANICAL DRAWINGS FOR PHYSICAL LAYOUT.
- MAXIMUM RATED SHORT CIRCUIT CURRENT IS 65kAIC, FOR UPS AND INPUT/OUTPUT PANELS.
- AC UTILITY SOURCE SHALL BE 480VAC, 3 ϕ , SOLIDLY GROUNDING WYE, 4 WIRE+GROUND (CONTACT Schneider Electric IF OTHER). SEE SHEET 4 FOR SITE PLANNING SUBMITTAL DATA.
- AC CABLING SHALL BE 600V RATED, 3 WIRE+GROUND.
- AC CABLING SHALL BE 600V RATED, 4 WIRE+GROUND.
- THE NEUTRAL TO GROUND SYSTEM BONDING JUMPER PROVIDED BY SCHNEIDER ELECTRIC SHALL NOT BE INSTALLED FOR 4 WIRE OUTPUT CONFIGURATION. SEE INSTALLATION MANUAL FOR DETAILS.
- THIS DRAWING SHOWS MINIMUM NUMBER OF XR BATTERY FRAMES PER UPS. MAXIMUM (8) XR BATTERY FRAMES CAN BE BAYED TO EACH UPS. BAYING KIT IS SUPPLIED WITH THIS SOLUTION. XR BATTERY FRAME HAS MOTORIZED BREAKER.
- KEY INTERLOCKS WITH SKRU, SCHEME 39, BETWEEN Q3 AND Q4, ARE OPTIONAL AND ARE NOT INCLUDED AS STANDARD WITH THE SYSTEM. (SCHEME 39 ADDER IS QCC67185) KEY INTERLOCKS WITH SKRU, SCHEME 29, BETWEEN LBB AND Q4, ARE OPTIONAL AND ARE NOT INCLUDED AS STANDARD WITH THE SYSTEM. (SCHEME 29 ADDER IS QCB39274) LBB IS OPTIONAL AND IS NOT INCLUDED AS STANDARD WITH THE SYSTEM. (LBB ADDER IS QRM190964) INSTALLATION OF LBB AND KEY INTERLOCKS WITH SKRU IS STRONGLY RECOMMENDED.
- CABLE LENGTHS FOR STATIC BYPASS INPUT AND OUTPUT SHALL BE SAME SUM TOTAL TO ENSURE CORRECT LOAD SHARING IN STATIC BYPASS OPERATION.
- CABLE SIZE AND INSTALLATION SHALL COMPLY WITH NEC ART. 240.21. IF NOT, USE CABLES RATED SAME AS THE MIB FEEDER.
- CABLE LUGS ARE NOT PROVIDED.

1000kVA/kW (500kW 2 MOD CAPACITY) TOP FEED SINGLE MAINS, DUAL INPUT TO UPS 4 WIRE OUTPUT CONFIGURATION

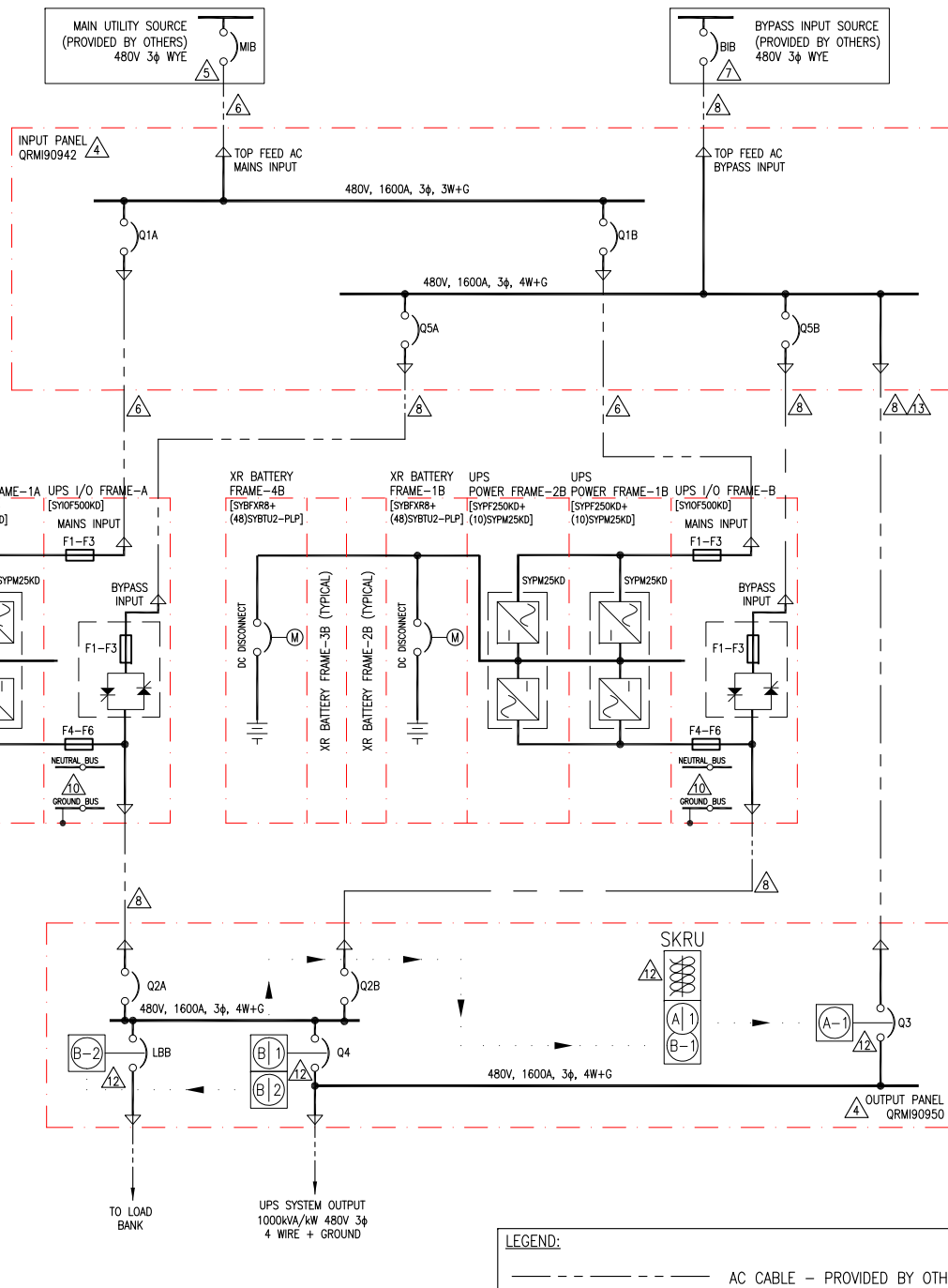
THIS DRAWING AND SPECIFICATIONS HEREIN ARE THE PROPERTY OF SCHNEIDER ELECTRIC AND SHALL NOT BE COPIED, REPRODUCED OR USED IN WHOLE OR IN PART, AS THE BASIS FOR THE MANUFACTURE OR SALE OF ITEMS WITHOUT WRITTEN PERMISSION FROM SCHNEIDER ELECTRIC. THIS DRAWING IS BASED UPON LATEST AVAILABLE INFORMATION AND IS SUBJECT TO CHANGE WITHOUT NOTICE.



TITLE: SYMMETRA PX INPUT: 480V 3 ϕ , SINGLE MAINS, DUAL INPUT TO UPS OUTPUT: 1000kVA/kW 480V 3 ϕ 500kW 2 MOD N TOP FEED W/LINE-UP BATTERIES SYSTEM ONE LINE DIAGRAM	DWG NO: SY500K1000TG1C2-4W-SD	REV: 2
PROJECT: SUBMITTAL DRAWINGS SHEET 2 OF 7	APPROVED: C FLY SHERIDAN	02-DEC-14 02-DEC-14
		PROJ ANGLE N.A.

DEVICE RATING

DEVICE	RATING	TYPE	MAKE	MODEL	ACCESSORIES
Q1A, Q1B	800A, 600V 100% RATED	MCCB, 3 POLE	Schneider Electric	PJP36080CU33AACBCSKYP	3A/3B AUX CONT, BELL ALARM, 24VDC SHUNT TRIP, ML 5.0 TRIP UNIT
Q2A, Q2B	700A, 600V 100% RATED	ICCB, 4 POLE	Schneider Electric	BL1AAV33B9CXBXBXA	8A/8B AUX CONT, BELL ALARM, 24VDC SHUNT TRIP, ML 5.0 TRIP UNIT
Q3	1600A, 600V 100% RATED	ICCB, 4 POLE	Schneider Electric	BL1EEV33A9CFXBXA	8A/8B AUX CONT, BELL ALARM, 120VAC SHUNT TRIP, ML 5.0 TRIP UNIT
Q4	1600A, 600V 100% RATED	ICCB, 4 POLE	Schneider Electric	BL1EEV33A9CXBXBXA	8A/8B AUX CONT, BELL ALARM, 24VDC SHUNT TRIP, ML 5.0 TRIP UNIT
Q5A, Q5B	700A, 600V 100% RATED	MCCB, 3 POLE	Schneider Electric	PJP36080CU33AACBCSKYP	3A/3B AUX CONT, BELL ALARM, 24VDC SHUNT TRIP, ML 5.0 TRIP UNIT
LBB	1600A, 600V 100% RATED	ICCB, 3 POLE	Schneider Electric	WL1EEV33A9CXBXBXA	8A/8B AUX CONT, BELL ALARM, 24VDC SHUNT TRIP, ML 5.0 TRIP UNIT
INVERTER FUSES F1-F3 / F4-F6	1250A, 700V	HIGH SPEED FUSE	BUSSMANN	170M6466	--
SSW FUSES F1-F3	1100A, 700V	HIGH SPEED FUSE	BUSSMANN	170M5167	--
DC DISCONNECT	400A, 600V DC	MCCB, 4 POLE	ABB	T5	1 AUX CONT, 24VDC, SHUNT TRIP, ACTUATOR



NOTES:

- INSTALLATION SHALL COMPLY WITH ALL APPLICABLE LOCAL AND NATIONAL CODES.
- PLEASE REFER TO PRODUCT MANUALS FOR ADDITIONAL DETAILS.
- DRAWING DEPICTS POWER SYSTEM CONNECTIONS AND IS NOT REPRESENTATIVE OF PHYSICAL LAYOUT, PLEASE REFER TO MECHANICAL DRAWINGS FOR PHYSICAL LAYOUT.
- MAXIMUM RATED SHORT CIRCUIT CURRENT IS 65KAIC, FOR UPS AND INPUT/OUTPUT PANELS.
- AC MAIN UTILITY SOURCE SHALL BE 480VAC, 3 ϕ , SOLIDLY GROUNDED WYE, 3 WIRE+GROUND (CONTACT Schneider Electric IF OTHER). SEE SHEET 4 FOR SITE PLANNING SUBMITTAL DATA.
- AC CABLING SHALL BE 600V RATED, 3 WIRE+GROUND.
- AC BYPASS UTILITY SOURCE SHALL BE 480VAC, 3 ϕ , SOLIDLY GROUNDED WYE, 4 WIRE+GROUND (CONTACT Schneider Electric IF OTHER). SEE SHEET 4 FOR SITE PLANNING SUBMITTAL DATA.
- AC CABLING SHALL BE 600V RATED, 4 WIRE+GROUND.
- AC MAINS AND BYPASS COMING FROM SAME SOURCE SHALL BE 4 WIRE+GROUND.
- THE NEUTRAL TO GROUND SYSTEM BONDING JUMPER PROVIDED BY Schneider Electric SHALL NOT BE INSTALLED FOR 4 WIRE OUTPUT CONFIGURATION. SEE INSTALLATION MANUAL FOR DETAILS.
- THIS DRAWING SHOWS MINIMUM NUMBER OF XR BATTERY FRAMES PER UPS. MAXIMUM (8) XR BATTERY FRAMES CAN BE BAYED TO EACH UPS. BAYING KIT IS SUPPLIED WITH THIS SOLUTION. XR BATTERY FRAME HAS MOTORIZED BREAKER.
- KEY INTERLOCKS WITH SKRU, SCHEME 39, BETWEEN Q3 AND Q4, ARE OPTIONAL AND ARE NOT INCLUDED AS STANDARD WITH THE SYSTEM. (SCHEME 39 ADDER IS QCC67185) KEY INTERLOCKS WITH SKRU, SCHEME 29, BETWEEN LBB AND Q4, ARE OPTIONAL AND ARE NOT INCLUDED AS STANDARD WITH THE SYSTEM. (SCHEME 29 ADDER IS QCBA39274) LBB IS OPTIONAL AND IS NOT INCLUDED AS STANDARD WITH THE SYSTEM. (LBB ADDER IS QRM190964) INSTALLATION OF LBB AND KEY INTERLOCKS WITH SKRU IS STRONGLY RECOMMENDED.
- CABLE SIZE AND INSTALLATION SHALL COMPLY WITH NEC ART. 240.21. IF NOT, USE CABLES RATED SAME AS THE MIB FEEDER.
- CABLE LENGTHS FOR STATIC BYPASS INPUT AND OUTPUT SHALL BE SAME SUM TOTAL TO ENSURE CORRECT LOAD SHARING IN STATIC BYPASS OPERATION.
- CABLE LUGS ARE NOT PROVIDED.

1000kVA/kW (500kW 2 MOD CAPACITY) TOP FEED DUAL MAINS, DUAL INPUT TO UPS 4 WIRE OUTPUT CONFIGURATION

THIS DRAWING AND SPECIFICATIONS HEREIN ARE THE PROPERTY OF SCHNEIDER ELECTRIC AND SHALL NOT BE COPIED, REPRODUCED OR USED IN WHOLE OR IN PART, AS THE BASIS FOR THE MANUFACTURE OR SALE OF ITEMS WITHOUT WRITTEN PERMISSION FROM SCHNEIDER ELECTRIC. THIS DRAWING IS BASED UPON LATEST AVAILABLE INFORMATION AND IS SUBJECT TO CHANGE WITHOUT NOTICE.

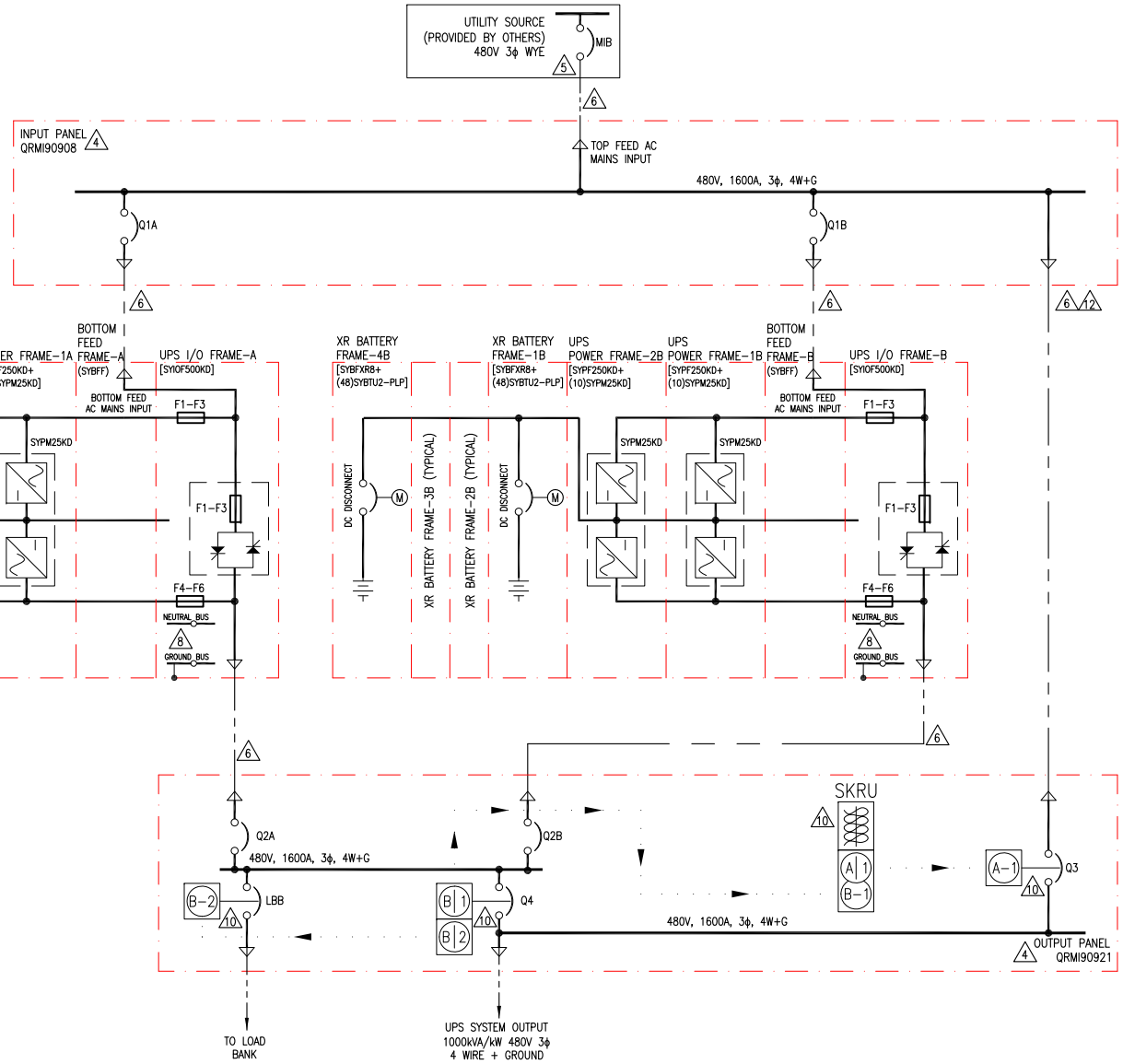


TITLE: SYMMETRA PX
 INPUT: 480V 3 ϕ , DUAL MAINS, DUAL INPUT TO UPS
 OUTPUT: 1000kVA/kW 480V 3 ϕ
 500kW 2 MOD N TOP FEED W/LINE-UP BATTERIES
 SYSTEM ONE LINE DIAGRAM
 PROJECT: SUBMITTAL DRAWINGS SHEET 3 OF 7

DWG NO: SY500K1000TG2C2-4W-SD REV. 2
 DRAWN: BALMURKIN/V BUSH/R MILLER/S DINHA 02-DEC-14
 ENGINEER: C FLY 02-DEC-14
 APPROVED: B SHERIDAN 02-DEC-14
 PROJ ANGLE N.A.

DEVICE RATING

DEVICE	RATING	TYPE	MAKE	MODEL	ACCESSORIES
Q1A, Q1B	800A, 600V 100% RATED	MCCB, 3 POLE	Schneider Electric	PJP36080CU3AACBCSKYP	3A/3B AUX CONT, BELL ALARM, 24VDC SHUNT TRIP, ML 5.0 TRIP UNIT
Q2A, Q2B	700A, 600V 100% RATED	ICCB, 4 POLE	Schneider Electric	BL1AAV33B9CXBXXXXA	8A/8B AUX CONT, BELL ALARM, 24VDC SHUNT TRIP, ML 5.0 TRIP UNIT
Q3	1600A, 600V 100% RATED	ICCB, 4 POLE	Schneider Electric	BL1EEV33A9CXFXXXXXA	8A/8B AUX CONT, BELL ALARM, 120VAC SHUNT TRIP, ML 5.0 TRIP UNIT
Q4	1600A, 600V 100% RATED	ICCB, 4 POLE	Schneider Electric	BL1EEV33A9CXBXXXXA	8A/8B AUX CONT, BELL ALARM, 24VDC SHUNT TRIP, ML 5.0 TRIP UNIT
LBB	1600A, 600V 100% RATED	ICCB, 3 POLE	Schneider Electric	WL1EEV33A9CXBXXXXA	8A/8B AUX CONT, BELL ALARM, 24VDC SHUNT TRIP, ML 5.0 TRIP UNIT
INVERTER FUSES F1-F3 / F4-F6	1250A, 700V	HIGH SPEED FUSE	BUSSMANN	170M466	--
SSW FUSES F1-F3	1100A, 700V	HIGH SPEED FUSE	BUSSMANN	170M5167	--
DC DISCONNECT	400A, 600V DC	MCCB, 4 POLE	ABB	T5	1 AUX CONT, 24VDC, SHUNT TRIP, ACTUATOR



NOTES:

- INSTALLATION SHALL COMPLY WITH ALL APPLICABLE LOCAL AND NATIONAL CODES.
- PLEASE REFER TO PRODUCT MANUALS FOR ADDITIONAL DETAILS.
- DRAWING DEPICTS POWER SYSTEM CONNECTIONS AND IS NOT REPRESENTATIVE OF PHYSICAL LAYOUT, PLEASE REFER TO MECHANICAL DRAWINGS FOR PHYSICAL LAYOUT.
- MAXIMUM RATED SHORT CIRCUIT CURRENT IS 65kAIC, FOR UPS AND INPUT/OUTPUT PANELS.
- AC UTILITY SOURCE SHALL BE 480VAC, 3φ, SOLIDLY GROUNDING WYE, 4 WIRE+GROUND (CONTACT Schneider Electric IF OTHER). SEE SHEET 4 FOR SITE PLANNING SUBMITTAL DATA.
- AC CABLING SHALL BE 600V RATED, 4 WIRE+GROUND.
- CABLE LUGS ARE NOT PROVIDED.
- THE NEUTRAL TO GROUND SYSTEM BONDING JUMPER PROVIDED BY SCHNEIDER ELECTRIC SHALL NOT BE INSTALLED FOR 4 WIRE OUTPUT CONFIGURATION. SEE INSTALLATION MANUAL FOR DETAILS.
- THIS DRAWING SHOWS MINIMUM NUMBER OF XR BATTERY FRAMES PER UPS. MAXIMUM (8) XR BATTERY FRAMES CAN BE BAYED TO EACH UPS. BAYING KIT IS SUPPLIED WITH THIS SOLUTION. XR BATTERY FRAME HAS MOTORIZED BREAKER.
- KEY INTERLOCKS WITH SKRU, SCHEME 39, BETWEEN Q3 AND Q4, ARE OPTIONAL AND ARE NOT INCLUDED AS STANDARD WITH THE SYSTEM. (SCHEME 39 ADDER IS QCC67185) KEY INTERLOCKS WITH SKRU, SCHEME 29, BETWEEN LBB AND Q4, ARE OPTIONAL AND ARE NOT INCLUDED AS STANDARD WITH THE SYSTEM. (SCHEME 29 ADDER IS QCBA39274) LBB IS OPTIONAL AND IS NOT INCLUDED AS STANDARD WITH THE SYSTEM. (LBB ADDER IS QRM90957) INSTALLATION OF LBB AND KEY INTERLOCKS WITH SKRU IS STRONGLY RECOMMENDED.
- CABLE LENGTHS FOR STATIC BYPASS INPUT AND OUTPUT SHALL BE SAME SUM TOTAL TO ENSURE CORRECT LOAD SHARING IN STATIC BYPASS OPERATION.
- CABLE SIZE AND INSTALLATION SHALL COMPLY WITH NEC ART. 240.21. IF NOT, USE CABLES RATED SAME AS THE MIB FEEDER.

LEGEND:

----- AC CABLE - PROVIDED BY OTHERS

1000kVA/kW (500kW 2 MOD CAPACITY) BOTTOM FEED SINGLE MAINS SINGLE INPUT TO UPS 4 WIRE OUTPUT CONFIGURATION

THIS DRAWING AND SPECIFICATIONS HEREIN ARE THE PROPERTY OF SCHNEIDER ELECTRIC AND SHALL NOT BE COPIED, REPRODUCED OR USED IN WHOLE OR IN PART, AS THE BASIS FOR THE MANUFACTURE OR SALE OF ITEMS WITHOUT WRITTEN PERMISSION FROM SCHNEIDER ELECTRIC. THIS DRAWING IS BASED UPON LATEST AVAILABLE INFORMATION AND IS SUBJECT TO CHANGE WITHOUT NOTICE.



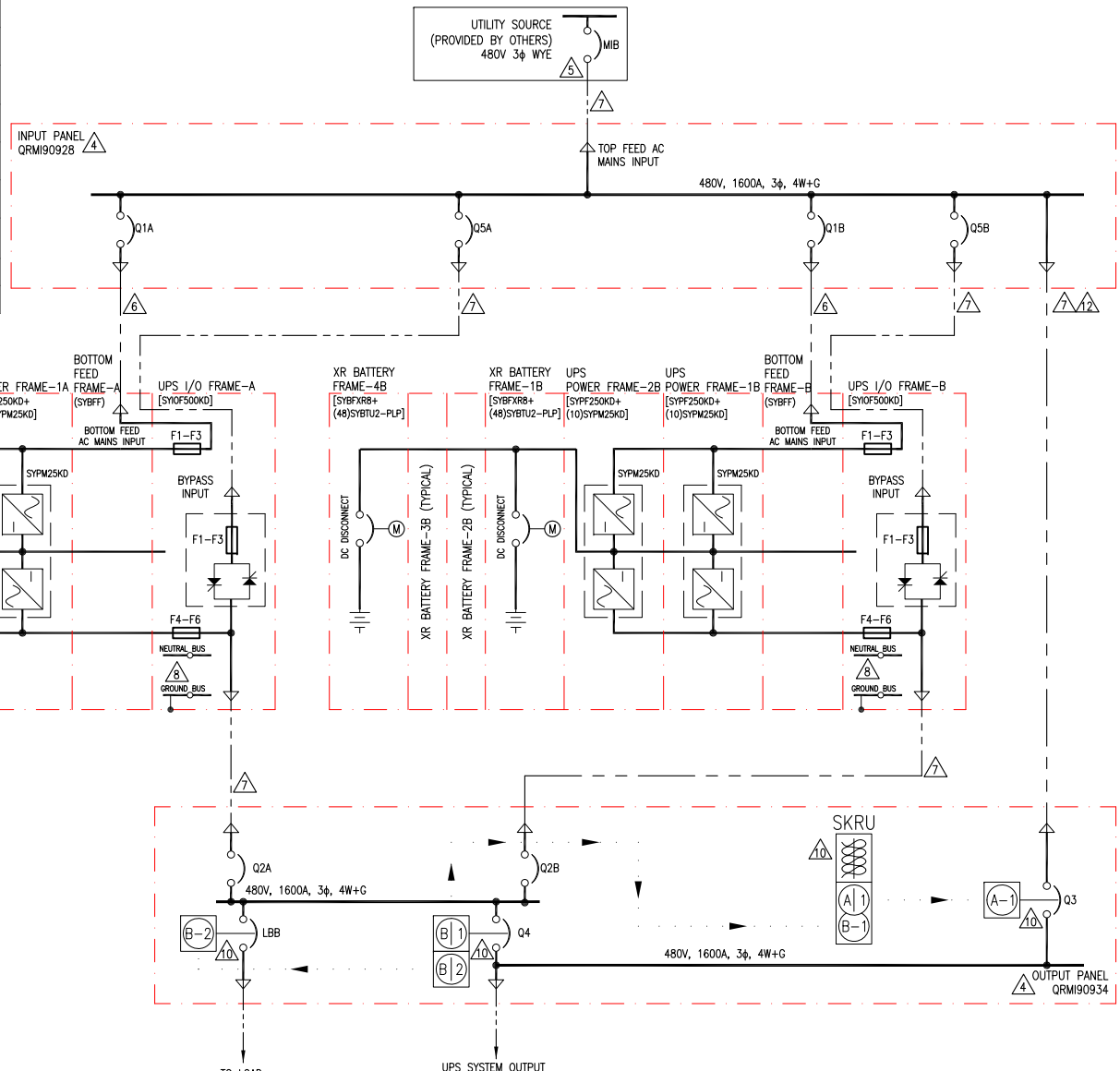
TITLE: SYMMETRA PX
 INPUT: 480V 3φ, SINGLE MAINS, SINGLE INPUT TO UPS
 OUTPUT: 1000kVA/kW 480V 3φ
 500kW 2 MOD N BOTTOM FEED W/LINE-UP BATTERIES
 SYSTEM ONE LINE DIAGRAM
 PROJECT: SUBMITTAL DRAWINGS SHEET 4 OF 7

DWG NO: SY500K1000BG1C2-4W-SD
 DRAWN: BALAMURUGAN/S CUNHA
 ENGINEER: C FLY
 APPROVED: B SHERIDAN

REV. 2
 02-DEC-14
 02-DEC-14
 PROJ ANGLE N.A.

DEVICE RATING

DEVICE	RATING	TYPE	MAKE	MODEL	ACCESSORIES
Q1A, Q1B	800A, 600V 100% RATED	MCCB, 3 POLE	Schneider Electric	PJP36080CU33AACBCKSKYP	3A/3B AUX CONT, BELL ALARM, 24VDC SHUNT TRIP, ML 5.0 TRIP UNIT
Q2A, Q2B	700A, 600V 100% RATED	ICCB, 4 POLE	Schneider Electric	BL1AAV33B9CXBX000A	8A/8B AUX CONT, BELL ALARM, 24VDC SHUNT TRIP, ML 5.0 TRIP UNIT
Q3	1600A, 600V 100% RATED	ICCB, 4 POLE	Schneider Electric	BL1EEV33A9CXFX000A	8A/8B AUX CONT, BELL ALARM, 120VAC SHUNT TRIP, ML 5.0 TRIP UNIT
Q4	1600A, 600V 100% RATED	ICCB, 4 POLE	Schneider Electric	BL1EEV33A9CXBX000A	8A/8B AUX CONT, BELL ALARM, 24VDC SHUNT TRIP, ML 5.0 TRIP UNIT
Q5A, Q5B	700A, 600V 100% RATED	MCCB, 3 POLE	Schneider Electric	PJP36080CU33BCKBCKSKYP	3A/3B AUX CONT, BELL ALARM, 24VDC SHUNT TRIP, ML 5.0 TRIP UNIT
LBB	1600A, 600V 100% RATED	ICCB, 3 POLE	Schneider Electric	WL1EEV33A9CXBX000A	8A/8B AUX CONT, BELL ALARM, 24VDC SHUNT TRIP, ML 5.0 TRIP UNIT
INVERTER FUSES F1-F3 / F4-F6	1250A, 700V	HIGH SPEED FUSE	BUSSMANN	170M6466	--
SSW FUSES F1-F3	1100A, 700V	HIGH SPEED FUSE	BUSSMANN	170M5167	--
DC DISCONNECT	400A, 600V DC	MCCB, 4 POLE	ABB	T5	1 AUX CONT, 24VDC, SHUNT TRIP, ACTUATOR



NOTES:

- INSTALLATION SHALL COMPLY WITH ALL APPLICABLE LOCAL AND NATIONAL CODES.
- PLEASE REFER TO PRODUCT MANUALS FOR ADDITIONAL DETAILS.
- DRAWING DEPICTS POWER SYSTEM CONNECTIONS AND IS NOT REPRESENTATIVE OF PHYSICAL LAYOUT, PLEASE REFER TO MECHANICAL DRAWINGS FOR PHYSICAL LAYOUT.
- MAXIMUM RATED SHORT CIRCUIT CURRENT IS 65kAIC, FOR UPS AND INPUT/OUTPUT PANELS.
- AC UTILITY SOURCE SHALL BE 480VAC, 3φ, SOLIDLY GROUND WYE, 4 WIRE+GROUND (CONTACT Schneider Electric IF OTHER). SEE SHEET 4 FOR SITE PLANNING SUBMITTAL DATA.
- AC CABLING SHALL BE 600V RATED, 3 WIRE+GROUND.
- AC CABLING SHALL BE 600V RATED, 4 WIRE+GROUND.
- THE NEUTRAL TO GROUND SYSTEM BONDING JUMPER PROVIDED BY SCHNEIDER ELECTRIC SHALL NOT BE INSTALLED FOR 4 WIRE OUTPUT CONFIGURATION. SEE INSTALLATION MANUAL FOR DETAILS.
- THIS DRAWING SHOWS MINIMUM NUMBER OF XR BATTERY FRAMES PER UPS. MAXIMUM (8) XR BATTERY FRAMES CAN BE BAYED TO EACH UPS. BAYING KIT IS SUPPLIED WITH THIS SOLUTION. XR BATTERY FRAME HAS MOTORIZED BREAKER.
- KEY INTERLOCKS WITH SKRU, SCHEME 39, BETWEEN Q3 AND Q4, ARE OPTIONAL AND ARE NOT INCLUDED AS STANDARD WITH THE SYSTEM. (SCHEME 39 ADDER IS QCC67185) KEY INTERLOCKS WITH SKRU, SCHEME 29, BETWEEN LBB AND Q4, ARE OPTIONAL AND ARE NOT INCLUDED AS STANDARD WITH THE SYSTEM. (SCHEME 29 ADDER IS QCB39274) LBB IS OPTIONAL AND IS NOT INCLUDED AS STANDARD WITH THE SYSTEM. (LBB ADDER IS QRM90964) INSTALLATION OF LBB AND KEY INTERLOCKS WITH SKRU IS STRONGLY RECOMMENDED.
- CABLE LENGTHS FOR STATIC BYPASS INPUT AND OUTPUT SHALL BE SAME SUM TOTAL TO ENSURE CORRECT LOAD SHARING IN STATIC BYPASS OPERATION.
- CABLE SIZE AND INSTALLATION SHALL COMPLY WITH NEC ART. 240.21. IF NOT, USE CABLES RATED SAME AS THE MIB FEEDER.
- CABLE LUGS ARE NOT PROVIDED.

LEGEND:

----- AC CABLE - PROVIDED BY OTHERS

1000kVA/kW (500kW 2 MOD CAPACITY) BOTTOM FEED SINGLE MAINS, DUAL INPUT TO UPS 4 WIRE OUTPUT CONFIGURATION

THIS DRAWING AND SPECIFICATIONS HEREIN ARE THE PROPERTY OF SCHNEIDER ELECTRIC AND SHALL NOT BE COPIED, REPRODUCED OR USED IN WHOLE OR IN PART, AS THE BASIS FOR THE MANUFACTURE OR SALE OF ITEMS WITHOUT WRITTEN PERMISSION FROM SCHNEIDER ELECTRIC. THIS DRAWING IS BASED UPON LATEST AVAILABLE INFORMATION AND IS SUBJECT TO CHANGE WITHOUT NOTICE.

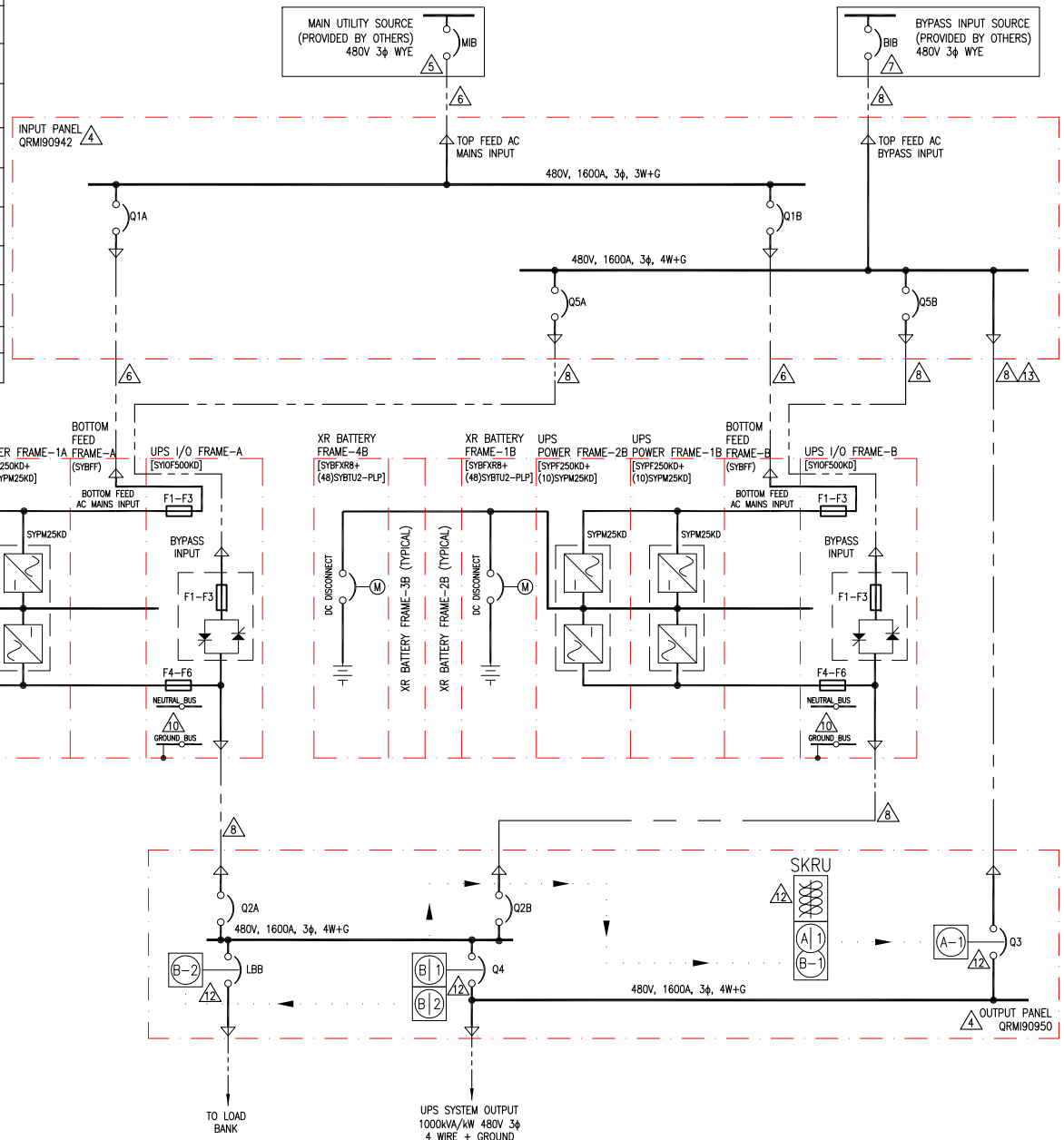


TITLE: SYMMETRA PX
 INPUT: 480V 3φ, SINGLE MAINS, DUAL INPUT TO UPS
 OUTPUT: 1000kVA/kW 480V 3φ
 500kW 2 MOD N BOTTOM FEED W/LINE-UP BATTERIES
 SYSTEM ONE LINE DIAGRAM
 PROJECT: SUBMITTAL DRAWINGS SHEET 5 OF 7

DWG NO: SY500K1000BG1C2-4W-SD
 DRAWN: BALAMURUGAN/S CUNHA
 ENGINEER: C FLY
 APPROVED: B SHERIDAN
 02-DEC-14
 02-DEC-14
 02-DEC-14
 REV. 2
 PROJ ANGLE
 N.A.

DEVICE RATING

DEVICE	RATING	TYPE	MAKE	MODEL	ACCESSORIES
Q1A, Q1B	800A, 600V 100% RATED	MCCB, 3 POLE	Schneider Electric	PJP36080CU33AACBCKSKYP	3A/3B AUX CONT, BELL ALARM, 24VDC SHUNT TRIP, ML 5.0 TRIP UNIT
Q2A, Q2B	700A, 600V 100% RATED	ICCB, 4 POLE	Schneider Electric	BL1AAV3B9CXBX000XA	8A/8B AUX CONT, BELL ALARM, 24VDC SHUNT TRIP, ML 5.0 TRIP UNIT
Q3	1600A, 600V 100% RATED	ICCB, 4 POLE	Schneider Electric	BL1EEV33A9CXFX000XA	8A/8B AUX CONT, BELL ALARM, 120VAC SHUNT TRIP, ML 5.0 TRIP UNIT
Q4	1600A, 600V 100% RATED	ICCB, 4 POLE	Schneider Electric	BL1EEV33A9CXBX000XA	8A/8B AUX CONT, BELL ALARM, 24VDC SHUNT TRIP, ML 5.0 TRIP UNIT
Q5A, Q5B	700A, 600V 100% RATED	MCCB, 3 POLE	Schneider Electric	PJP36080CU33BCKBCKSKYP	3A/3B AUX CONT, BELL ALARM, 24VDC SHUNT TRIP, ML 5.0 TRIP UNIT
LBB	1600A, 600V 100% RATED	ICCB, 3 POLE	Schneider Electric	WL1EEV33A9CXBX000XA	8A/8B AUX CONT, BELL ALARM, 24VDC SHUNT TRIP, ML 5.0 TRIP UNIT
INVERTER FUSES F1-F3 / F4-F6	1250A, 700V	HIGH SPEED FUSE	BUSSMANN	170M6466	--
SSW FUSES F1-F3	1100A, 700V	HIGH SPEED FUSE	BUSSMANN	170M5167	--
DC DISCONNECT	400A, 600V DC	MCCB, 4 POLE	ABB	T5	1 AUX CONT, 24VDC, SHUNT TRIP, ACTUATOR



NOTES:

- INSTALLATION SHALL COMPLY WITH ALL APPLICABLE LOCAL AND NATIONAL CODES.
- PLEASE REFER TO PRODUCT MANUALS FOR ADDITIONAL DETAILS.
- DRAWING DEPICTS POWER SYSTEM CONNECTIONS AND IS NOT REPRESENTATIVE OF PHYSICAL LAYOUT, PLEASE REFER TO MECHANICAL DRAWINGS FOR PHYSICAL LAYOUT.
- MAXIMUM RATED SHORT CIRCUIT CURRENT IS 65KAIC, FOR UPS AND INPUT/OUTPUT PANELS.
- AC MAIN UTILITY SOURCE SHALL BE 480VAC, 3φ, SOLIDLY GROUNDED WYE, 3 WIRE+GROUND (CONTACT Schneider Electric IF OTHER). SEE SHEET 4 FOR SITE PLANNING SUBMITTAL DATA.
- AC CABLING SHALL BE 600V RATED, 3 WIRE+GROUND.
- AC BYPASS UTILITY SOURCE SHALL BE 480VAC, 3φ, SOLIDLY GROUNDED WYE, 4 WIRE+GROUND (CONTACT Schneider Electric IF OTHER). SEE SHEET 4 FOR SITE PLANNING SUBMITTAL DATA.
- AC CABLING SHALL BE 600V RATED, 4 WIRE+GROUND.
- AC MAINS AND BYPASS COMING FROM SAME SOURCE SHALL BE 4 WIRE+GROUND.
- THE NEUTRAL TO GROUND SYSTEM BONDING JUMPER PROVIDED BY Schneider Electric SHALL NOT BE INSTALLED FOR 4 WIRE OUTPUT CONFIGURATION. SEE INSTALLATION MANUAL FOR DETAILS.
- THIS DRAWING SHOWS MINIMUM NUMBER OF XR BATTERY FRAMES PER UPS. MAXIMUM (8) XR BATTERY FRAMES CAN BE BAYED TO EACH UPS. BAYING KIT IS SUPPLIED WITH THIS SOLUTION. XR BATTERY FRAME HAS MOTORIZED BREAKER.
- KEY INTERLOCKS WITH SKRU, SCHEME 39, BETWEEN Q3 AND Q4, ARE OPTIONAL AND ARE NOT INCLUDED AS STANDARD WITH THE SYSTEM. (SCHEME 39 ADDER IS QCC67185) KEY INTERLOCKS WITH SKRU, SCHEME 29, BETWEEN LBB AND Q4, ARE OPTIONAL AND ARE NOT INCLUDED AS STANDARD WITH THE SYSTEM. (SCHEME 29 ADDER IS QCBA39274) LBB IS OPTIONAL AND IS NOT INCLUDED AS STANDARD WITH THE SYSTEM. (LBB ADDER IS QRM190964) INSTALLATION OF LBB AND KEY INTERLOCKS WITH SKRU IS STRONGLY RECOMMENDED.
- CABLE SIZE AND INSTALLATION SHALL COMPLY WITH NEC ART. 240.21. IF NOT, USE CABLES RATED SAME AS THE MIB FEEDER.
- CABLE LENGTHS FOR STATIC BYPASS INPUT AND OUTPUT SHALL BE SAME SUM TOTAL TO ENSURE CORRECT LOAD SHARING IN STATIC BYPASS OPERATION.
- CABLE LUGS ARE NOT PROVIDED.

1000kVA/kW (500kW 2 MOD CAPACITY) BOTTOM FEED DUAL MAINS, DUAL INPUT TO UPS 4 WIRE OUTPUT CONFIGURATION

THIS DRAWING AND SPECIFICATIONS HEREIN ARE THE PROPERTY OF SCHNEIDER ELECTRIC AND SHALL NOT BE COPIED, REPRODUCED OR USED IN WHOLE OR IN PART, AS THE BASIS FOR THE MANUFACTURE OR SALE OF ITEMS WITHOUT WRITTEN PERMISSION FROM SCHNEIDER ELECTRIC. THIS DRAWING IS BASED UPON LATEST AVAILABLE INFORMATION AND IS SUBJECT TO CHANGE WITHOUT NOTICE.



TITLE: SYMMETRA PX INPUT: 480V 3φ, DUAL MAINS, DUAL INPUT TO UPS OUTPUT: 1000kVA/kW 480V 3φ 500kW 2 MOD N BOTTOM FEED W/LINE-UP BATTERIES SYSTEM ONE LINE DIAGRAM	DWG NO: SY500K1000BG2C2-4W-SD	REV: 2
PROJECT: SUBMITTAL DRAWINGS SHEET 6 OF 7	DRAWN: BALAMURUGAN/S CUNHA ENGINEER: C FLY APPROVED: B SHERIDAN	02-DEC-14 02-DEC-14 02-DEC-14
		PROJ ANGLE N.A.

APC Symmetra® PX 250K and 500K UPS Parallel Frame Site Planning Data

UPS Module Rating				Mains Input-Single or Dual Feed (Q1) ¹						Static Bypass Input - Dual Feed (Q5) ²				External Battery System ^{3, 6, 13}				AC Output (Q2) ²				Mechanical Data ^{5, 11}						
				Voltage		Current		Recommendations		Currents		Recommendations ⁴		Nominal VDC	Battery kW	Current @ Nom. VDC	Recommendations		Current		Recommendations		Typical Dimensions WxHxD	Average Weight Lbs	Floor Loading Lbs/Ft2	Heat Rejection Battery Fully Charged BTU/HR	Heat Rejection Battery Charging BTU/HR	
UPS Frame Rating	Qty of 25kW Power Modules	kVA	kW	Input ¹	Output ²	Full Load	Max. ⁷	100% OCPD	100% Cable	NOM.	Max. ⁸	100% OCPD	100% Cable				NOM.	Max. ⁸	100% OCPD	100% Cable	NOM.	Max. ⁸						100% OCPD
250kVA 250kW	4	100	100	480	480	139	149			120	150			2x 288	104	181			120	150								
	5	125	125	480	480	173	186			150	188			2x 288	130	226			150	188								
	6	150	150	480	480	208	223			180	226			2x 288	156	271			180	226								
	7	175	175	480	480	242	261			210	263			2x 288	182	316			210	263								
	8	200	200	480	480	277	298			241	301			2x 288	208	362			241	301								
	9	225	225	480	480	312	335			271	338			2x 288	234	407			271	338								
500kVA 500kW	10	250	250	480	480	346	372	400A	1x 500	301	376	350A	2x 2/0	2x 288	260	452	500A	2x 4/0	301	376	350A	1x 350	47x79x42	2,330	170	35,542	42,759	
	11	275	275	480	480	381	410			331	413			2x 288	286	497			331	413								
	12	300	300	480	480	416	447			361	451			2x 288	312	543			361	451								
	13	325	325	480	480	450	484			391	489			2x 288	339	588			391	489								
	14	350	350	480	480	485	521			421	526			2x 288	365	633			421	526								
	15	375	375	480	480	519	558			451	564			2x 288	391	678			451	564								
	16	400	400	480	480	554	596			481	601			2x 288	417	723			481	601								
	17	425	425	480	480	589	633			511	639			2x 288	443	769			511	639								
	18	450	450	480	480	623	670			541	677			2x 288	469	814			541	677								
	19	475	475	480	480	658	707			571	714			2x 288	495	859			571	714								
	20	500	500	480	480	693	745	800A	2x 500	601	752	700A	3x 4/0	2x 288	521	904	1000A	3x 400	601	752	700A	2x 350	71x79x42	3,797	183	71,083	85,517	

APC Symmetra® PX 250K and 500K UPS Parallel SWBD Site Planning Data¹³

UPS System Rating				Mains AC Input Single or Dual Feed (MIB) ¹						Bypass AC Input - Dual Feed (BIB - Q3) ²				AC Output (Q4 - LBB) ²				Mechanical Data ^{5, 11}							
				Voltage		Current		Recommendations ³		Current		Recommendations ³		Nom.	Max. ⁸	100% OCPD	100% Cable	Current		Recommendations ³		Typical Dimensions WxHxD	Average Weight Lbs	Floor Loading Lbs/Ft2	Heat Rejection Battery Fully Charged BTU/HR
UPS Frame Rating	Qty in Parallel	kVA	kW	Input ¹	Output ²	Full Load	Max. ⁷	100% OCPD	100% Cable	NOM.	Max. ⁸	100% OCPD	100% Cable					NOM.	Max. ⁸	100% OCPD	100% Cable				
250kVA 250kW	2	500	500	480	480	693	745	800A	2x 500	601	752	700A	2x 350	601	752	700A	2x 350								
	3	750	750	480	480	1039	1117	1200	3x 600	902	1128	1000A	3x 400	902	1128	1000A	3x 400						1,06,626	1,28,276	
	4	1000	1000	480	480	1386	1489	1600	4x 600	1203	1504	1600A	4x 600	1203	1504	1600A	4x 600						1,42,166	1,71,034	
500kVA 500kW	2	1000	1000	480	480	1386	1489	1600	4x 600	1203	1504	1600A	4x 600	1203	1504	1600A	4x 600						142,166	1,71,034	
	3	1500	1500	480	480	2079	2235	2500	6x 600	1804	2255	2000A	5x 600	1804	2255	2000A	5x 600						2,13,249	2,56,551	
	4	2000	2000	480	480	2772	2980	3000	8x 500	2406	3007	2500A	6x 600	2406	3007	2500A	6x 600						2,84,332	3,42,068	

[APC Symmetra® PX](#)

Notes.

1. Mains Input source must be 480V Wye 4-wire + Ground. Contact Schneider Electric if other.
2. Output is either 480V Wye 4-wire + GROUND. The bypass source for either single feed or dual feed systems must match the output configuration.
3. Recommended cables are AWG/kcmil minimum requirement for three (3) current carrying conductors in raceway, sized for 30°C environment and 75°C terminations. All cabling must comply with installation site conditions and any applicable Local and/or Natio
4. Dual feed static bypass input feeder is limited to maximum size of 250kcmil conductor.
5. Mechanical Data is approximate and does not include the battery system or external DC Disconnects. For precise mechanical data on your planned system configuration contact Schneider Electric.
6. Contact Schneider Electric for assistance with all external battery designs. Maximum allowed DC cabling voltage drop is 1 VDC. Schneider Electric Standard external DCD's are rated 500A (PX 250kVA) & 1000A (PX 500kVA).
7. Electronic Input Current Limit.
8. This is the UPS short time rating of 125% Overload for 10 minutes. Actual short time performance may be limited by the overcurrent protective device selected.
9. For maximum scalability or future expansion it is recommended that the UPS frames be installed at their full ratings - see green highlighted data.
10. All OCPD's and cabling are by others.
11. Heat rejection calculations are based on watt to BTU/HR conversion factor of 1 watt = 3.412 BTU/HR
12. OCPD = overcurrent Protective Device
13. Common battery system is not allowed or supported for this product
14. See applicable submittal drawings for additional details.

1000kVA/kW (500kW 2 MODULE CAPACITY) SINGLE/DUAL MAINS TOP/BOTTOM FEED 4 WIRE OUTPUT CONFIGURATION

THIS DRAWING AND SPECIFICATIONS HEREIN ARE THE PROPERTY OF SCHNEIDER ELECTRIC AND SHALL NOT BE COPIED, REPRODUCED OR USED IN WHOLE OR IN PART, AS THE BASIS FOR THE MANUFACTURE OR SALE OF ITEMS WITHOUT WRITTEN PERMISSION FROM SCHNEIDER ELECTRIC. THIS DRAWING IS BASED UPON LATEST AVAILABLE INFORMATION AND IS SUBJECT TO CHANGE WITHOUT NOTICE.



TITLE: SYMMETRA PX
 INPUT: 480V 3φ, SINGLE/DUAL
 OUTPUT: 1000kVA/kW 480V 3φ
 500kW 2 MOD N TOP/BOTT FEED W/LINE-UP BATTERIES
 SITE PLANNING DATA
 PROJECT: SUBMITTAL DRAWINGS | SHEET 7 OF 7

DWG NO: SY500K1000GC2-4W-SD REV. 0
 DRAWN: BALAMURUGAN/V BUSH 20-MAY-11
 ENGINEER: A WARNER/C BARBOZA 02-AUG-11
 APPROVED: B SHERIDAN/S VOOCD/M DESHPANDE 02-AUG-11
 PROJ ANGLE N.A.